

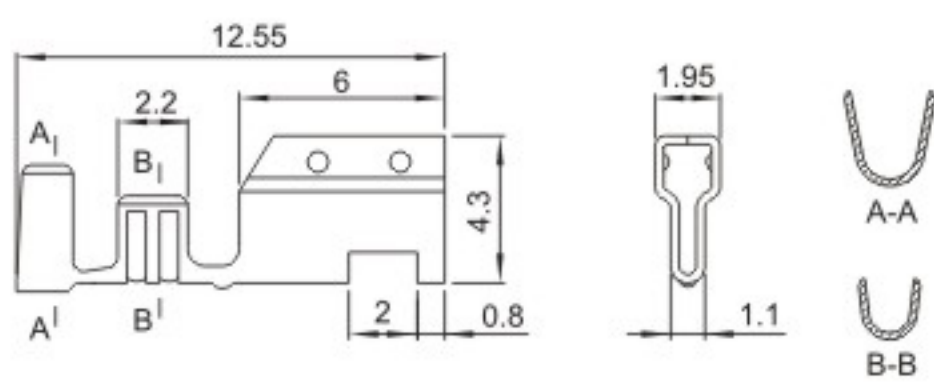
### 技术参数 SPECIFICATIONS

- 线数 (Poles) : 2~10
- 适用线规 (Applicable wires) : AWG24#~18#
- 适应基板厚度 (Applicable PC board thickness) : 1.6mm
- 温度范围 (Temperature range) : -25℃~85℃
- 额定电压 (Voltage rating) : 250V.Ac/Dc
- 额定电流 (Current rating) : 7A
- 接触电阻 (Contact resistance) :  $\leq 0.015\Omega$
- 绝缘电阻 (Insulation resistance) :  $\geq 1000M\Omega$
- 耐压 (Withstand voltage) : 1500V.Ac/1min
- 材料 (Material) :
  - 孔座 (Housing) : 尼龙 (PA66) UL94V-2(0)
  - 针座 (Wafer) : 尼龙 (PA66) UL94V-2(0)
  - 端子 (Terminal) : 磷青铜 (Phos.bronze Tin/plated)

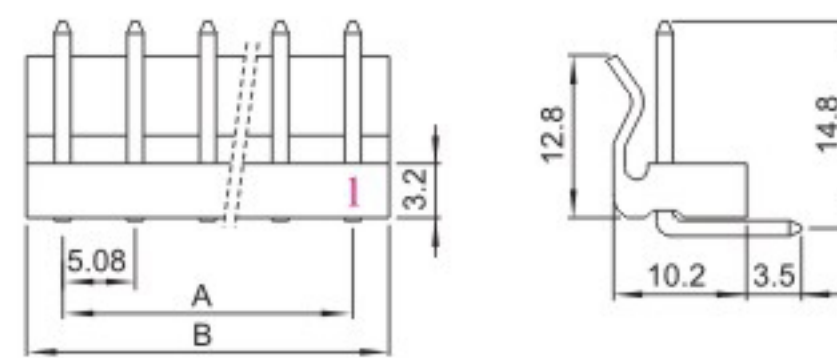
端子 TERMINAL (5225、5194)

型号 Type	适用线规 Applicable wires		电线外径 O.D of wire ins mm	数量 Quantity
	mm <sup>2</sup>	AWG#		
HX39606-PT	0.2~0.75	24~18	1.5~2.8	3500PCS/盘

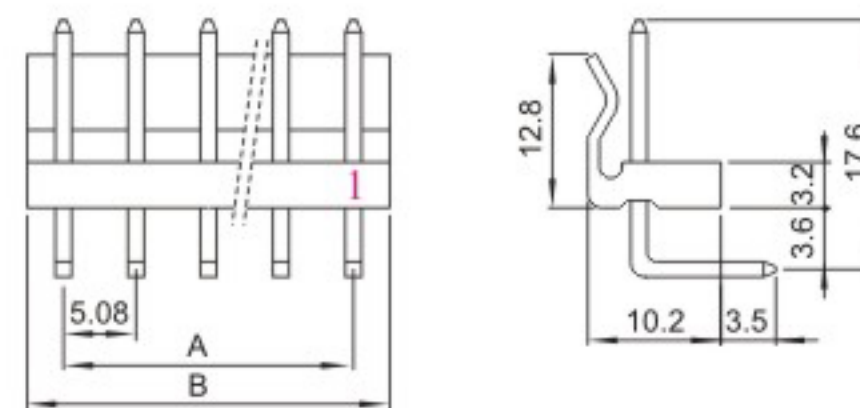
HX39606-PT (5225、5194)



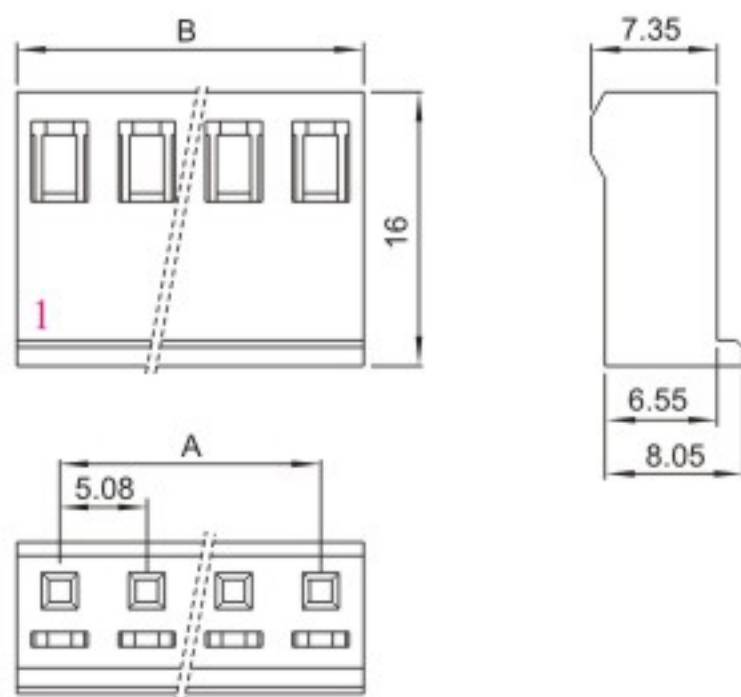
HX50803-WAP (5282/5.08)



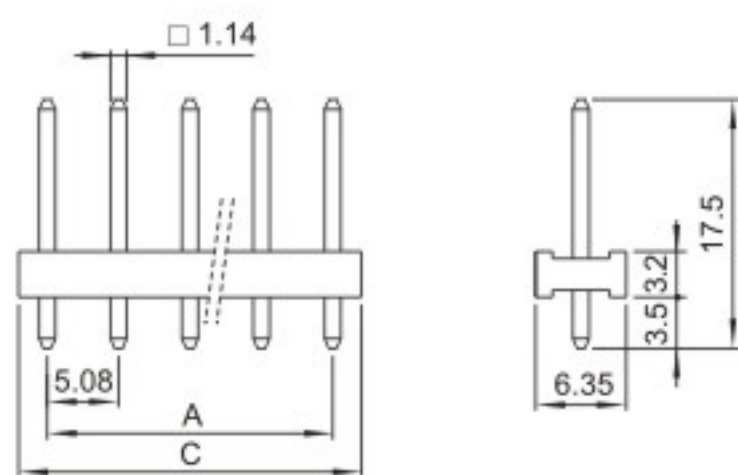
HX50803-WAG (5282/5.08)



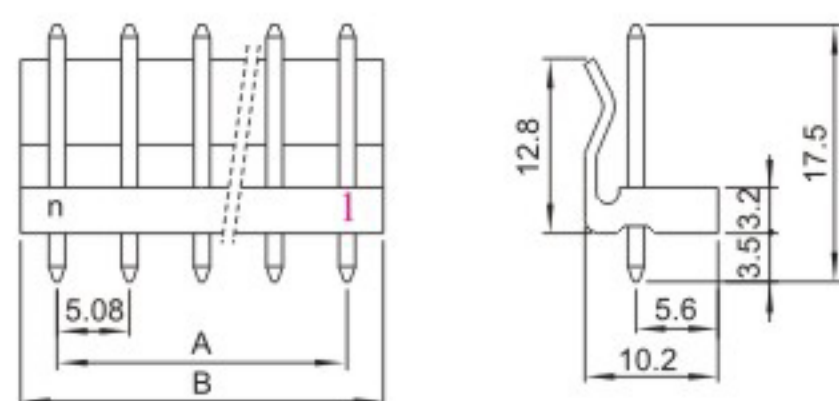
HX50807-Y (5197)



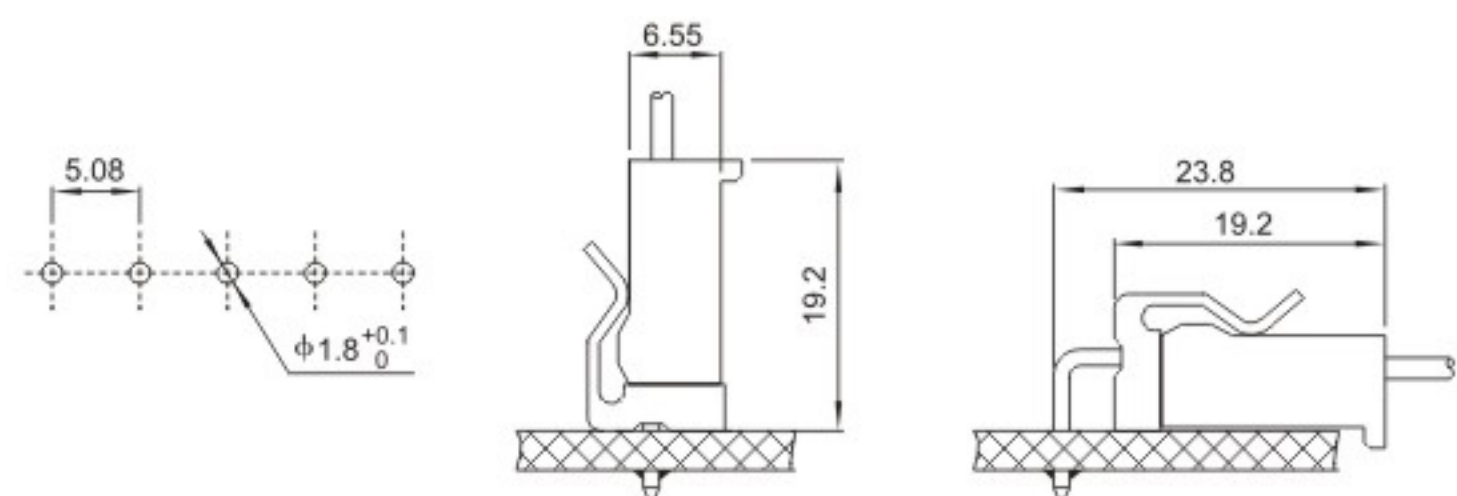
HX50803-NA (5279/5.08)



HX50803-A (5281/5.08)



### 安装尺寸 MOUNTING MEASUREMENT



孔座 HOUSING (5197)

线数 Poles	型号 Type	尺寸Dimensions(mm)	
		A	B
2	HX50807-2Y	5.08	10.08
3	HX50807-3Y	10.16	15.16
4	HX50807-4Y	15.24	20.24
5	HX50807-5Y	20.32	25.32
6	HX50807-6Y	25.40	30.40
7	HX50807-7Y	30.48	35.48
8	HX50807-8Y	35.56	40.56
9	HX50807-9Y	40.64	45.64
10	HX50807-10Y	45.72	50.72

针座 WAFER (5281/5282/5279/5.08)

线数 Poles	型号 Type		尺寸Dimensions(mm)		
	直式/弯式	横条(180°)	A	B	C
2	HX50803-2A/WA	HX50803-2NA	5.08	10.16	9.08
3	HX50803-3A/WA	HX50803-3NA	10.16	15.24	14.16
4	HX50803-4A/WA	HX50803-4NA	15.24	20.32	19.24
5	HX50803-5A/WA	HX50803-5NA	20.32	25.40	24.32
6	HX50803-6A/WA	HX50803-6NA	25.40	30.48	29.40
7	HX50803-7A/WA	HX50803-7NA	30.48	35.56	34.48
8	HX50803-8A/WA	HX50803-8NA	35.56	40.64	39.56
9	HX50803-9A/WA	HX50803-9NA	40.64	45.72	44.64
10	HX50803-10A/WA	HX50803-10NA	45.72	50.80	49.72