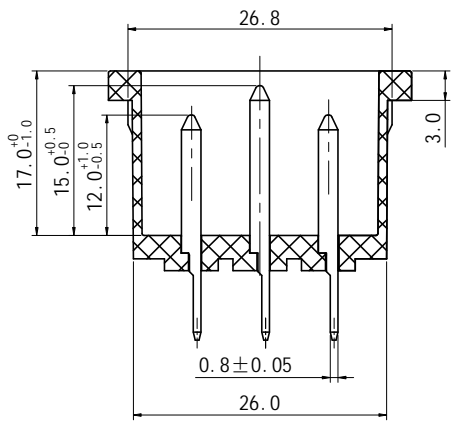
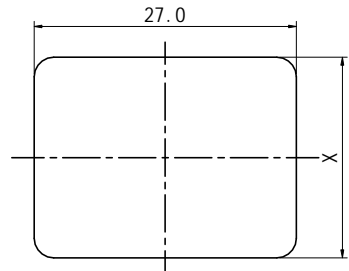


PANEL THICKNESS	X
1.0~2.0	20.50
2.0~3.0	21.00



SECTION:A-A



PANEL CUT-OUT

Rating :
 15A 250V AC T105 UL cUL
 10A 250V AC 3C VDE KC

Insert And Extract Force: 1.36kgf~6.8kgf
 Terminal Strength: ≥80N
 Operating Life: ≥5000 cycles
 Withstand Voltage: Between all terminals:2000VAC (50-60Hz)1min
 terminals to Base:3750V AC (50-60Hz)1min
 Leakage Current : 1mA

Insulation Resistance: ≥100MΩ 500V DC
 Body Materil: NYLON 66 94V-0

A4				普通公差	LECI 乐磁电子有限公司 LECI ELECTRONICS CO.,LTD							
A3				COMMON TOLERANCE :								
A2				UP TO 5	±0.20	单位 UNIT	mm	投影 PROJECTED	品名 PRODUCT NAME	Ac Inlet C14型	比例 SCALE	Free
A1				ABOVE 5 TO 30	±0.30							
				ABOVE 30	±0.50	绘图 DRAWN BY		核对 CHECKED BY	型号 MODEL NO.	DB-14		
REV.	DATE	REVISION DESCRIPTION	ISSUE	ANGULAR	±5°	日期 DATE		核准 APPROVAL BY	料号 PART NO.	DB-14-2CF		