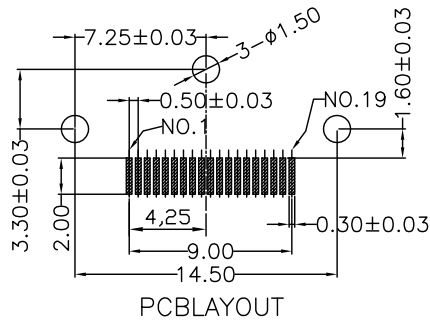
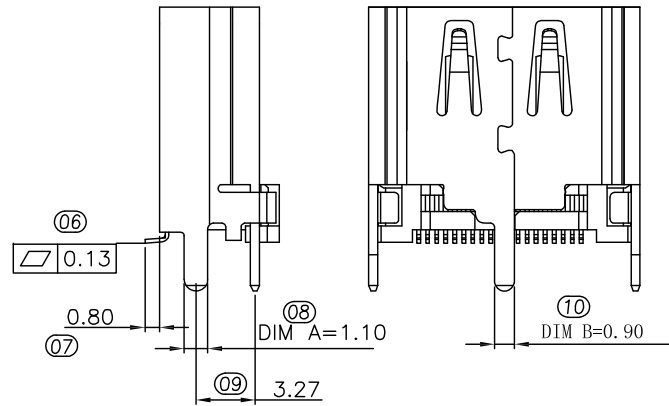
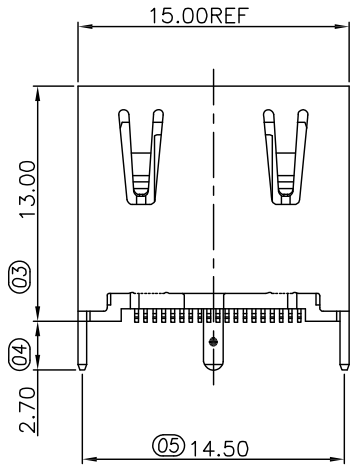
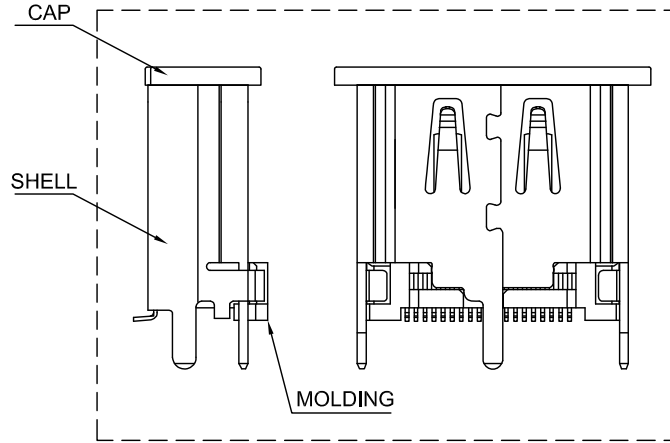
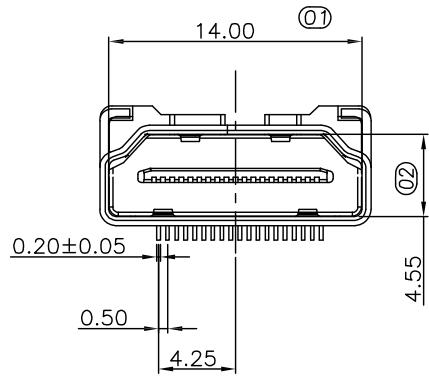


CUSTOMER DRAWING



NOTE:

- MATERIAL:**  
 HOUSING:HIGH TEMPERATURE PLASTIC  
 BLACK UL94 V-0,  
 CONTACT PHOSPHOR BRONZE, T=0.20,  
 SHELL:SPCC, T=0.50
- 2. FINISH :**  
 CONTACT: AU/100u" SN/50u" NI PLATED  
 SHELL:NI 30u" PLATED
- 3. (XX)FOR QIP DIM.**

版次 REV	ECN编号	設變內容 MODIFICATION	日期 DATE	製圖 DRAW	核准 APPROVE
A		初版发行	01-JUN-13	DOREN	杜定双
B		依实物修正图面	17-JUN-13	DOREN	杜定双
C		增加CAP图示	14-OCT-13	DOREN	杜定双

NOTE:

- 1.MECHANICAL CHARACTERISTICS**  
 INSERTION FORCE: 44.1N MAX  
 EXTROCTION FORCE: 9.8N MIN, 39.2N MAX  
 MOTING CYCLE:10000 CYCLES  
 CONTACT PULL OUT FORCE: 1.96N/PIN MIN  
 SCREW TIGHTEING TORQUE:3.5±0.5KG
- 2.ELECTRICAL CHARACTERISTICS**  
 RATING CURRENT: 0.5A  
 RATING VOLTAGE: 40V  
 CONTACT RESISTANCE: 10 MILLOHMS OHMS MAX  
 INSULATION RESISTANCE:  
 a, UNMATED: 100M OHMS MIN AT 500 VDC  
 b, MATED: 10M OHMS MIN AT 150 VDC  
 DIELECTRIC WITHSTANDING VOLTAGE: 300V AC/1MINUTE
- OPERATING TEMPERATURE: -20°C--+85°C  
 STORAGE TEMPERATURE: -20°C--+65°C

**HD1 00-00 X-3 0 X-1 R**

SERIES CODE  
 HDMI A/F 19P

CONTACT PLATED  
 1:GOLD FLASH  
 8:3u" Au  
 A:5u" Au  
 7:15u" Au

CONTACT TYPE :  
 3:180度SMT

R:ROHS  
 PACKING CODE  
 1:TAPE REEL

SHELL FOOT WIDTH  
 2: 窄脚DIM A=1.1, DIM B=0.9

THESE DRAWINGS AND SPECIFICATIONS  
 ARE THE PROPERTY OF GM AND SHALL  
 COPIED OR NOT BE REPRODUCED,CUED  
 IN ANY MANNER WITHOUT THE PRIOR  
 WRITTEN CONSENT OF GM

DIMENSION IN mm [Inch]		料號 FILE NO.		圖號 DWG NO.	
TOLERANCE UNLESS OTHERWISE SPECIFIED		HD100-00X-30X-1R		C-HD100	
.X± 0.35	X° ± 3°	名稱 TITLE			
.XX± 0.25	.X° ± 2°	HDMI 立贴母座13mm 窄脚			
.XXX± 0.10	.XX° ± 1°	製圖 DRAW		角法 PROJ.	
核准 APPROVE	審核 CHECK	DOREN		張數 SHEET	
ZILL	DDS			1/1	
				比例 SCALE 圖紙 SIZE 版次 REV	
				1:1 A4 C	

**gma** 东莞市国满电子科技有限公司  
 GMA TECHNOLOGY CO., LTD.