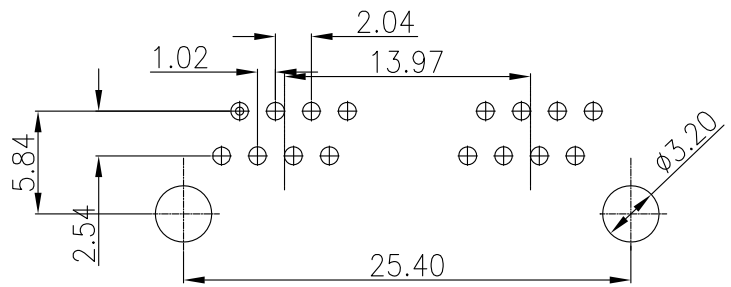
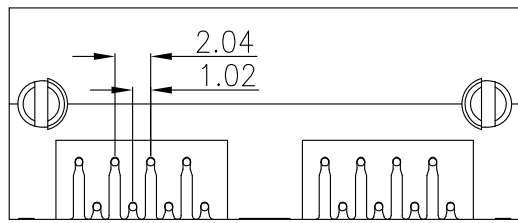
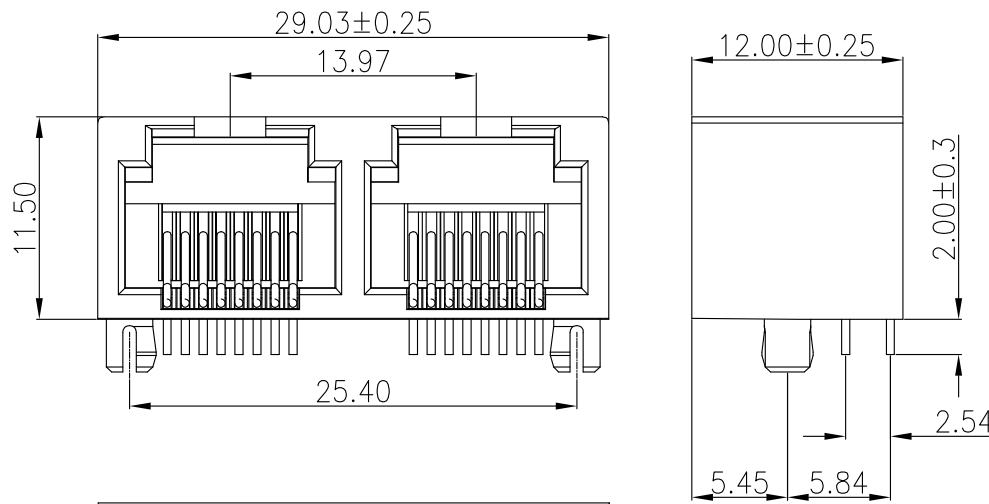


CUSTOMER DRAWING

版次 REV.	ECN编号 ECN NUMBER	设变内容 MODIFICATION	日期 DATE	制图 DRAW	核准 APPROVE
A		初版发行	24-FEB-17	DOREN	DDS
B		端子脚长2.8改2.0	24-APR-17	DOREN	DDS



PCBLAYOUT
TOL:±0.05

PRODUCT SPECIFICATION

- ELECTRICAL:**
- INSULATION RESISTANCE: 500 MEGOHMS MIN @ 100V DC
 - DIELECTRIC WITHSTANDING RESISTANCE: 500V DC RMS 50HZ. 1MIN
 - CONTACT RESISTANCE: 40 MILLIOHMS MAX
 - VOLTAGE RATING: 125 VAC RMS
 - CURRENT RATING: 1.5 AMP
- MECHANICAL:**
- DURRABILIIYY: 750 CYCLES MIN
 - PCB RETENTION PRE-SOLDER: 1 LB MIN
- ENVIRONMENTAL:**
- STORAGE: -40-85 C
 - OPERATION: 0-70 C
 - HUMIDITY: <80%
- MATERIAL:**
- HOUSINGS: PA46 BACK UL94V-0过回流焊265度. PBT ,UL94V-0.
 - CONTACTS: Ø0.46mm PHOSPHOR BRONZE, GOLD PLATING OVER NICKEL

RA 0 00 - ZZ 1 - F XX - 007A

系列码 全塑

塑胶码

- 00:PA46黑色
- 01:PBT黄色
- 02:PBT橙色
- 03:PBT蓝色
- 04:PBT灰色
- 06:PA9T黄色
- 10:PBT黑色

8P8C DIP

1: GOLD FLASH

THESE DRAWINGS AND SPECIFICATIONS ARE THE PROPERTY OF GMA AND SHALL NOT BE REPRODUCED, COPIED OR IN ANY MANNER WITHOUT THE PRIOR WRITTEN CONSENT OF GMA	DIMENSION IN mm [Inch]		GMA 东莞市国满电子科技有限公司 Dongguan Guoman Electronic Technology Co.,Ltd.		
	TOLERANCE UNLESS OTHERWISE SPECIFIED		料号 FILE NO.		图号 DWG NO.
	.X± 0.35	X°± 3°	RA000-ZZ1-FXX-007A		C-RA007A-1
	.XX± 0.25	.X°± 2°	名称 TITLE		
	.XXX± 0.15	.XX°± 1°	5301 1x2 全塑DIP		
核准 APPROVE	审核 CHECK	制图 DRAW	角法 PROJ.	⊕	图纸 SIZE A4
ZILL	DDS	DOREN	比例 SCALE 1:1	张数 SHEET 1/1	版次 REV B