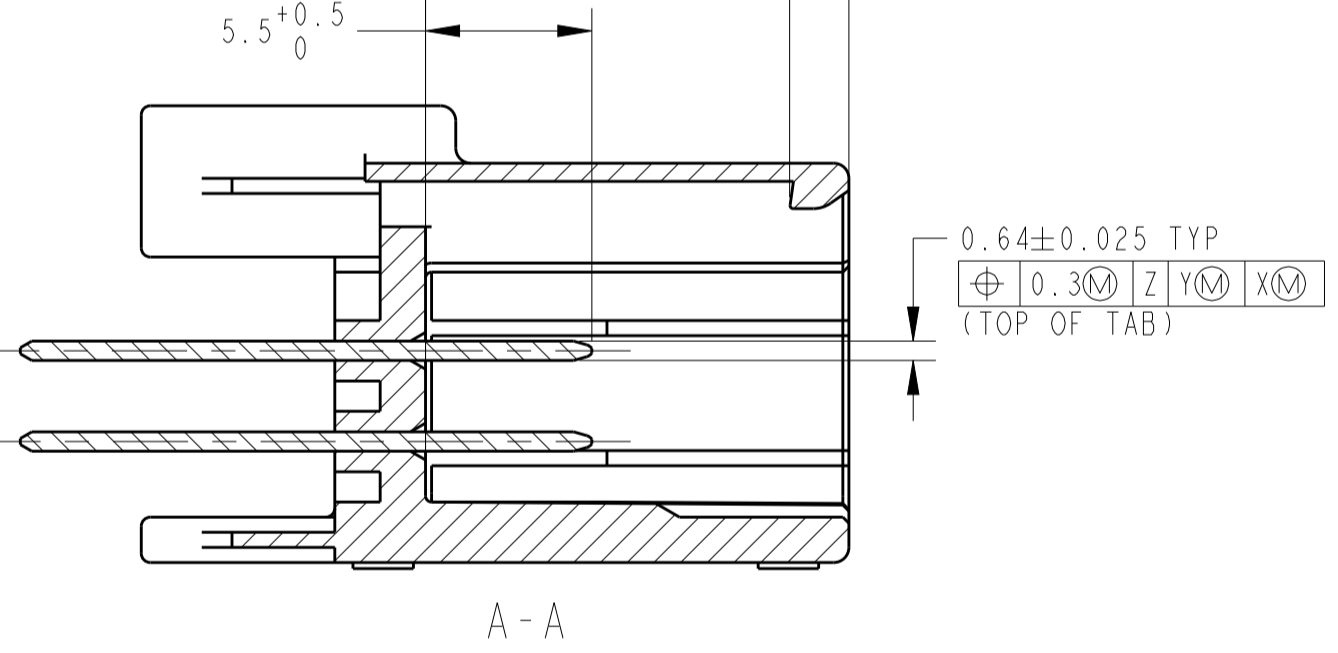
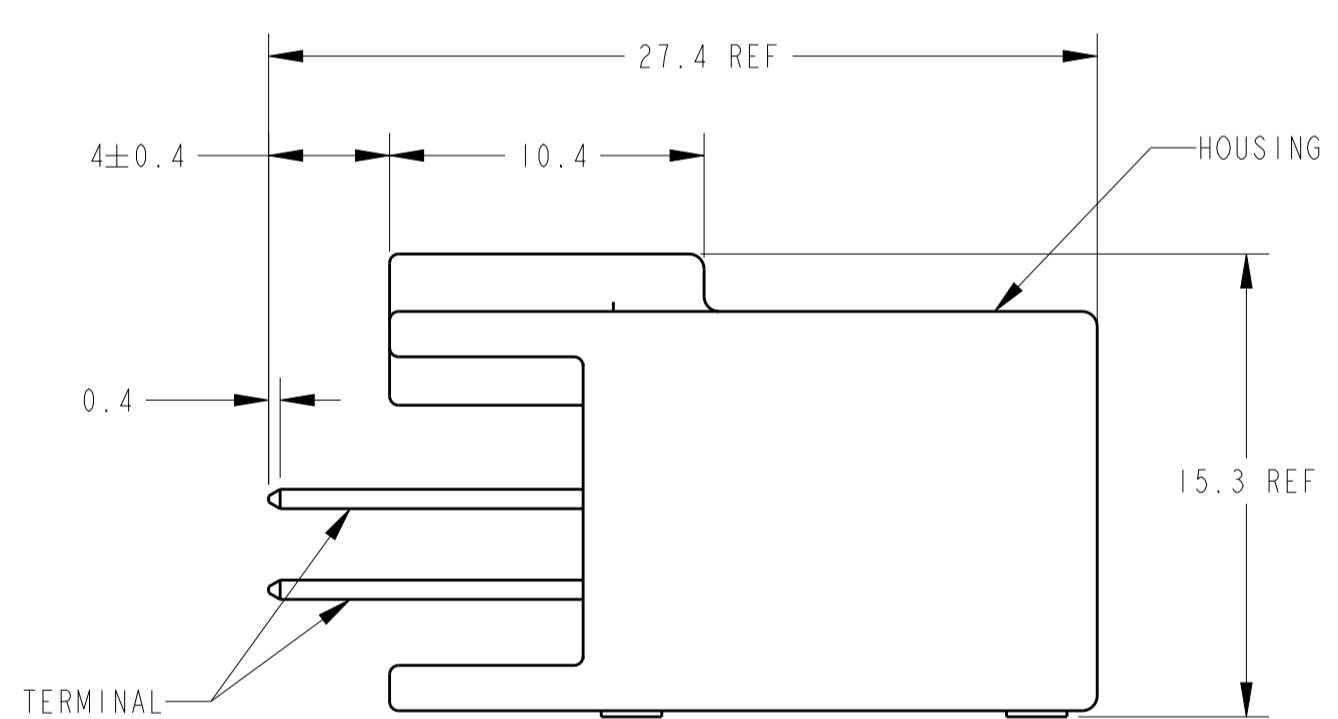
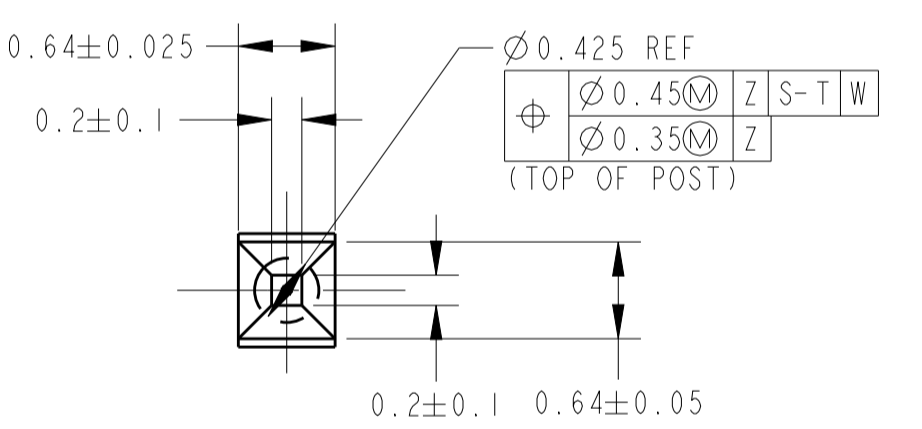
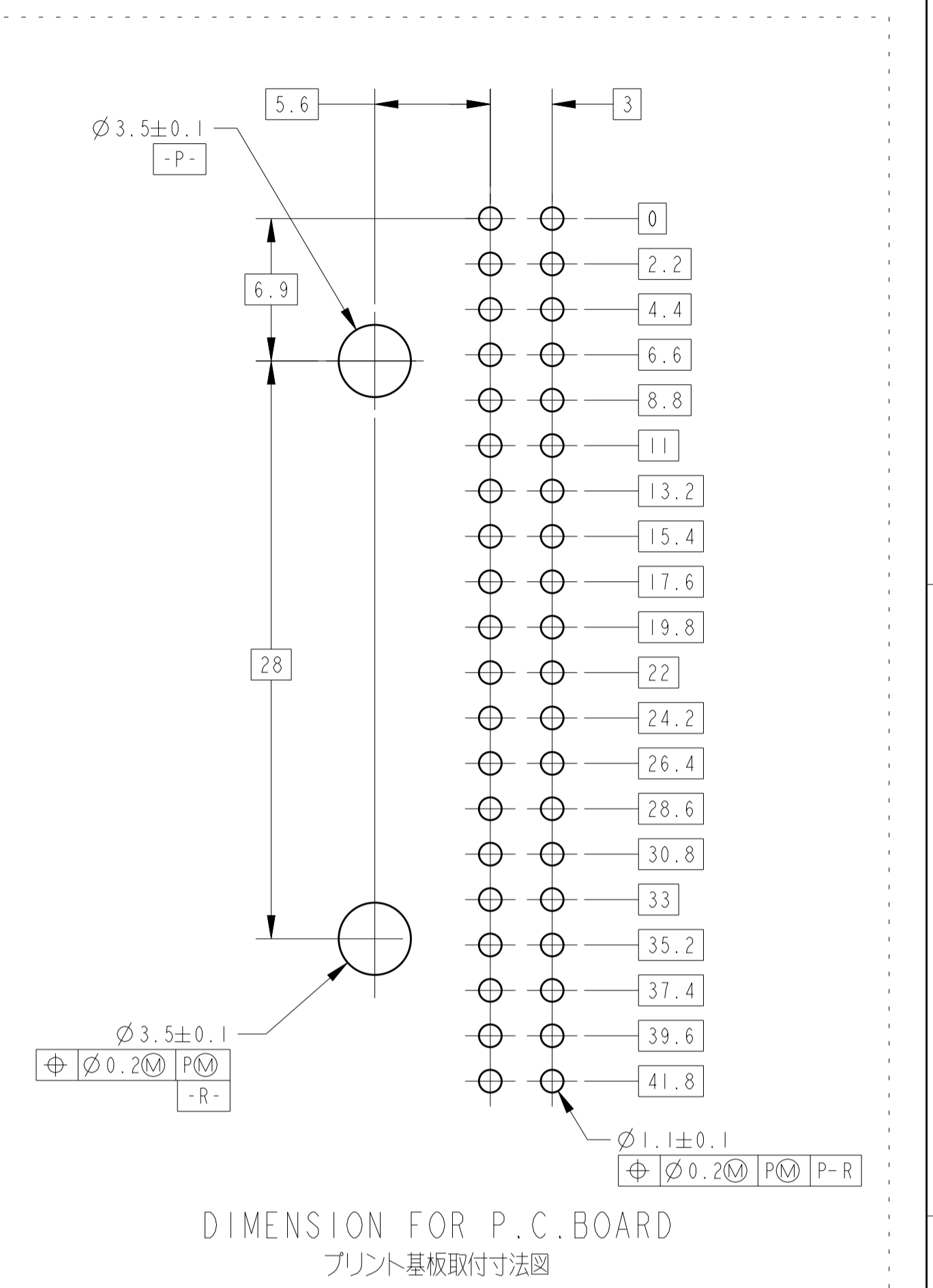
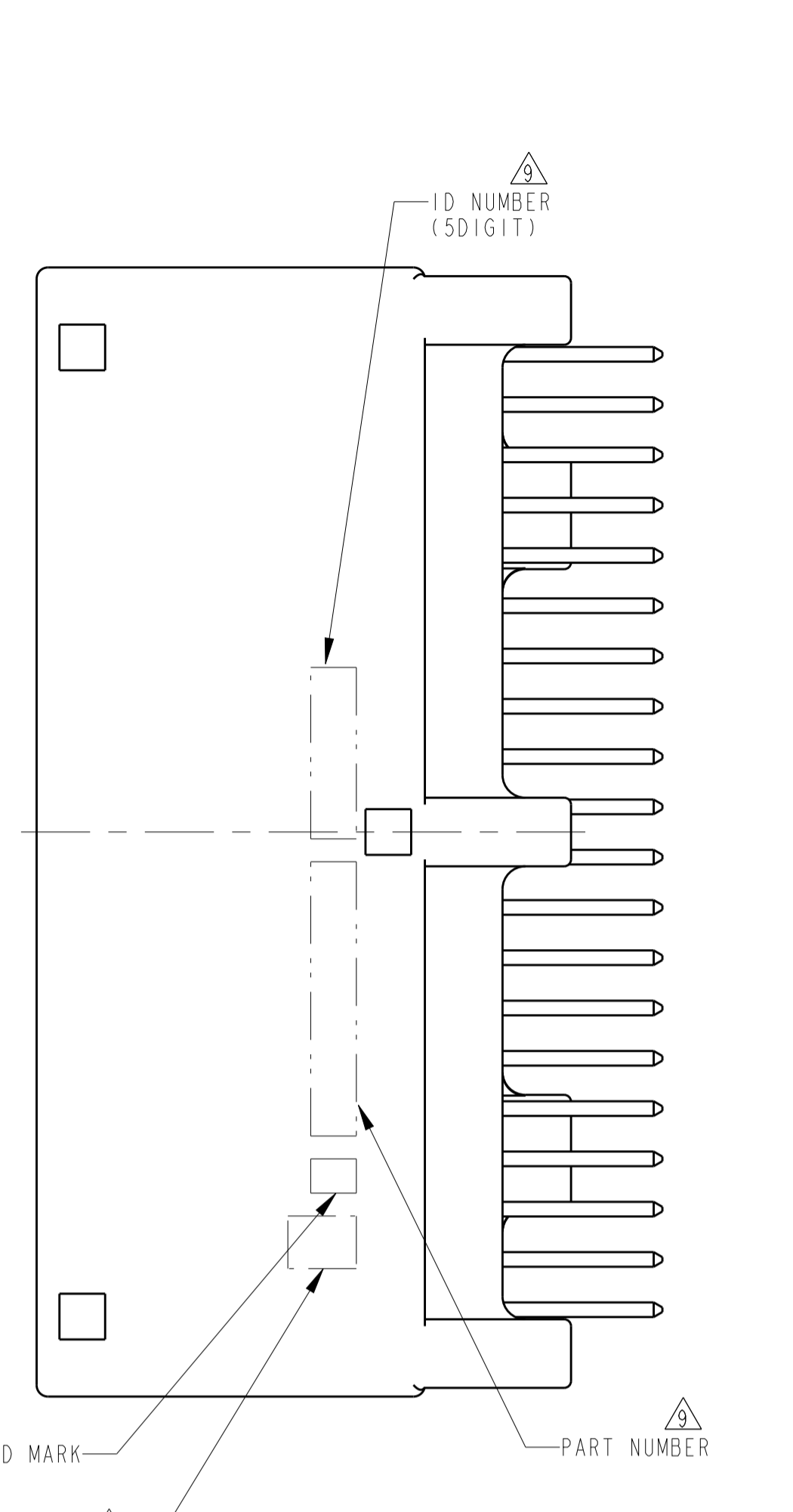
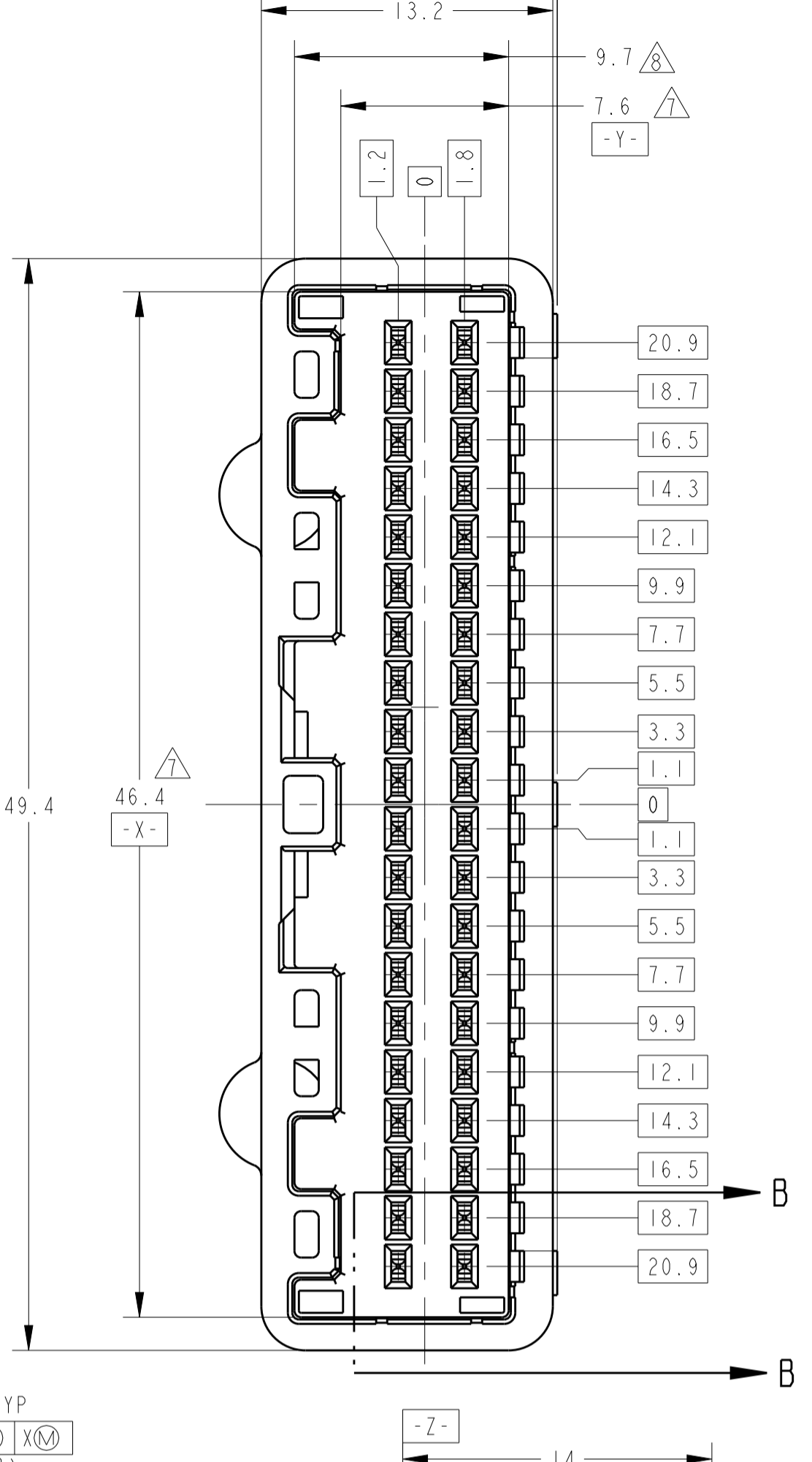
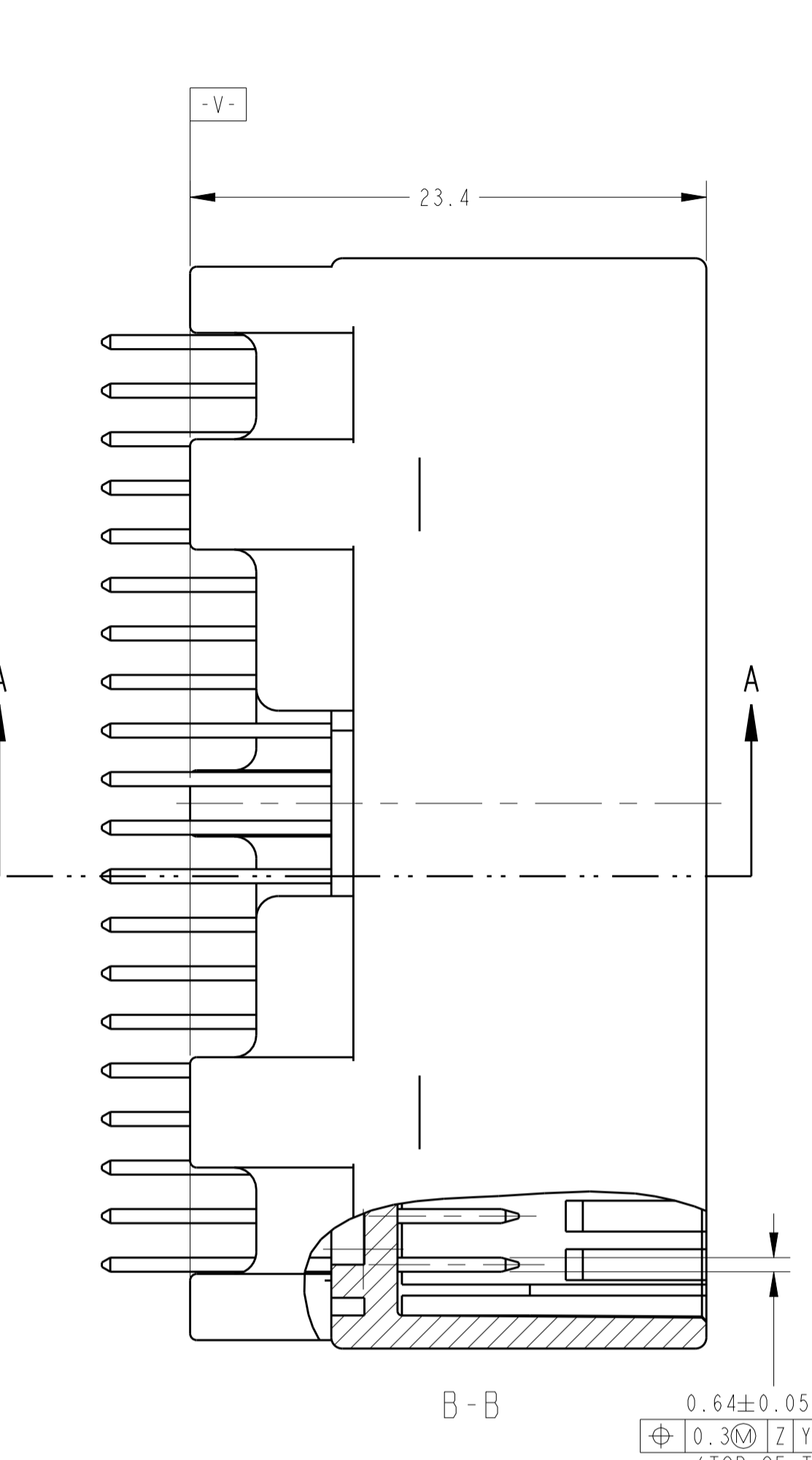
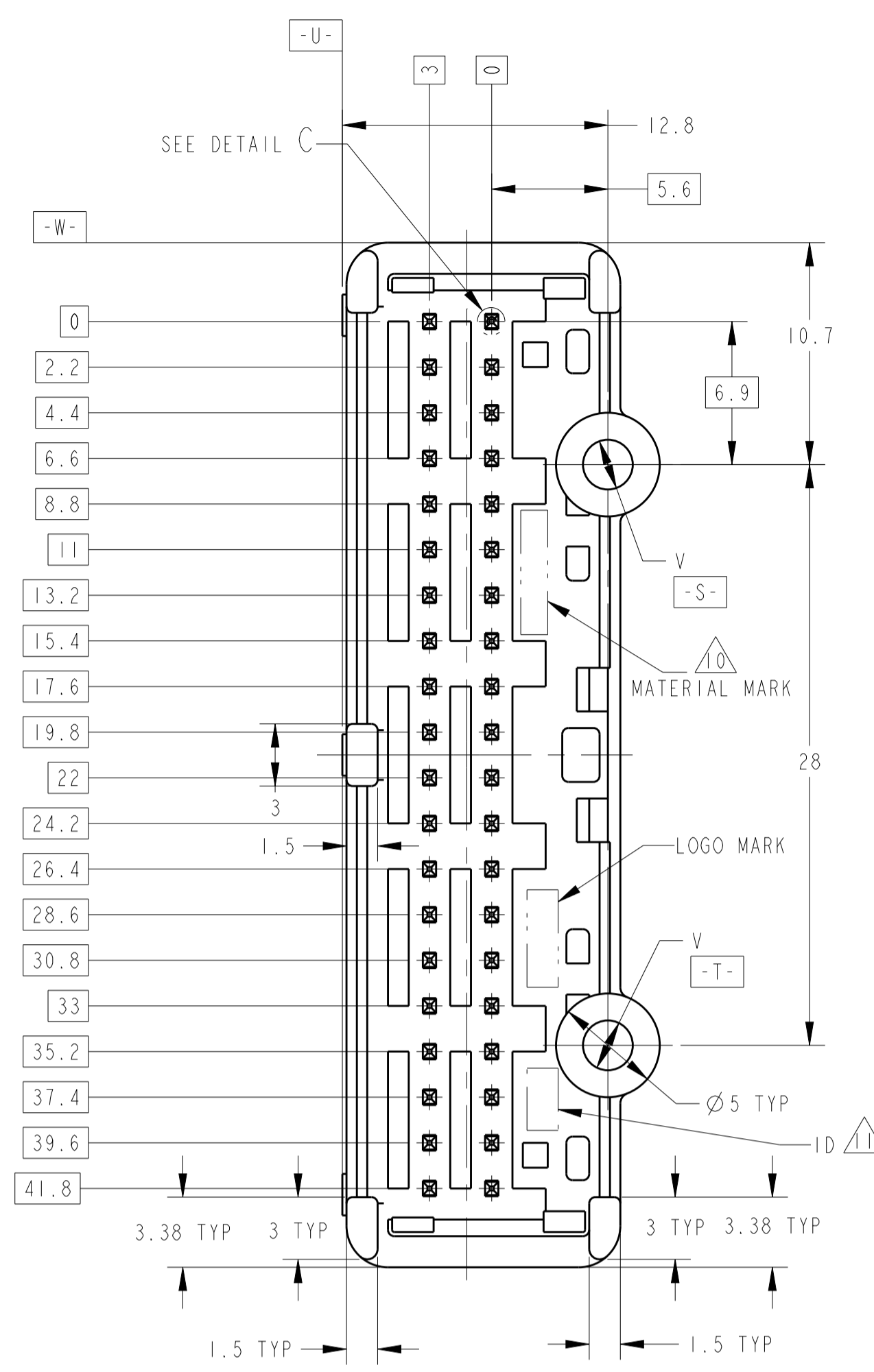


REVISONS		DATE	OWN	APVD
NO.	DESCRIPTION			
C3	REVISED PER ECO-11-005140	09APR11	RK	HMR
C4	REVISED PER ECO-15-012539	25AUG15	TM	KK



1. 嵌合相手ハウジング番号は、TABLE-1参照。
プラグハウジングアセンブリと支障なく嵌合すること。
 2. 推奨取付ねじ：JIS B1115, B1122 タッピングねじ
なべ2種、厚み径3、長さ：TABLE-3 参照
 3. ねじ締めトルク：0.392N・m 最大
 4. 取扱説明書No：411-5928
 5. 適用メス線径はTABLE-2 参照
- △：コンタクト仕上識別記号：表参照。
 △：-Z- 面から6mmの範囲で測定。
 △：-Z- 面から2mmの範囲で測定。
 △：型番1376113-8, -9, 1--1, 1--3, 1--5にのみ印字される。
 △：材料マーク
 △：1-1376113-3のみ
1. MATING CONNECTOR PART NUMBER; SEE TABLE-1.
TO BE MATED SMOOTHLY WITH THE PLUG HOUSING ASSEMBLY.
 2. RECOMMENDED SCREW: PAN-HEADED.
TYPE 2 TAPPING SCREW OF DIA 3mm LENGTH: SEE TABLE-3
REFER TO JIS B1115, B1122
 3. FASTENING TORQUE FOR SCREW: 0.392N
 4. INSTRUCTION SHEET NO: 411-5928
 5. APPLIED TERMINAL: SEE TABLE-2.
- △: IDENTIFICATION MARK FOR THE CONTACT FINISH: SEE TABLE.
 △: MEASURED AT 6mm FROM -Z-
 △: MEASURED AT 2mm FROM -Z-
 △: MARKED ONLY ON THE PART NUMBER 1376113-8 AND 1376113-9,
 1-1376113-1, 1-1376113-3, 1-1376113-5.
 △: MATERIAL MARK
 △: 1-1376113-3 ONLY

TABLE-1

POS. 極数	TYPE	PLUG HOUSING PART No. プラグハウジング型番
40	CRIMP	1318389
40	IDC	1318691 1318695

TABLE-2

SIGNAL	TIN	TERMINAL No. 端子型番	APPLICABLE WIRE RANGE (FEMALE) 適用電線(メス)
025		1123343-1	AVSS/CAVS/CAVUS 0.3~0.5mm ² AVSSH-f 0.3~0.5mm ²

TABLE-3

THICKNESS PF PCB (mm) フロント基板板厚 (mm)	1.2	1.6
NOMINAL LENGTH OF SCREW (mm) 固定用ネジ着下長さ (mm)	5	6

3	1	3	6	5	4	1	1	MARKING	MATERIAL MARK	WEIGHT (g) 質量	V	PACKING STYLE 梱包形態	CONTACT FINISH コンタクト仕上	HOUSING ハウジング	PART NUMBER 製品番
>SPS-GF17<	>PBT-GF30<	>SPS-GF17<	>SPS-GF17<	>PBT-GF30<	>PBT-GF30<	>PBT-GF30<	>PBT-GF30<	△	△				SELECTIVE-TIN (MATTE)	SELECTIVE-TIN (BRIGHT)	1-1376113-5
													PRE-TIN x 40	PBT GF30	1-1376113-3
													SELECTIVE-TIN (MATTE)	SELECTIVE-TIN (BRIGHT)	1-1376113-1
													SELECTIVE-TIN (MATTE)	SELECTIVE GOLD	1376113-9
													SELECTIVE-TIN (MATTE)	SELECTIVE-TIN (BRIGHT)	1376113-8
SEE DWG 1376113-5															
													SELECTIVE-TIN (MATTE)	SELECTIVE TIN x 38 SELECTIVE GOLD x 2	1376113-6
SEE DWG 1376113-5															
													PRE-TIN x 40	PBT GF30	1376113-2
													PRE-TIN x 40	PBT GF30	1376113-1
													SOLDERING SIDE 半田付け部	CONTACT SIDE 接点部	

THIS DRAWING IS A CONTROLLED DOCUMENT. DWG NO. 22JUN00
 CHK. N. SAI
 APVD. N. SAI
 DATE: 22JUN00

DIMENSIONS: mm
 TOLERANCES UNLESS OTHERWISE SPECIFIED:
 0-PHOS ±0.3
 1-PLC ±
 2-PLC ±
 3-PLC ±
 4-PLC ±

MATERIAL CONTACT: BRASS
 HOUSING: SEE TABLE

FINISH: SEE TABLE

WEIGHT: SEE TABLE

Customer Drawing

OWN: R. KOMIYAMA
 CHK: N. SAI
 APVD: N. SAI
 DATE: 22JUN00

PRODUCT SPEC: 108-5668
 APPLICATION SPEC: 114-5250

SIZE: A1
 CAGE CODE: 00779
 DRAWING NO: 1376113

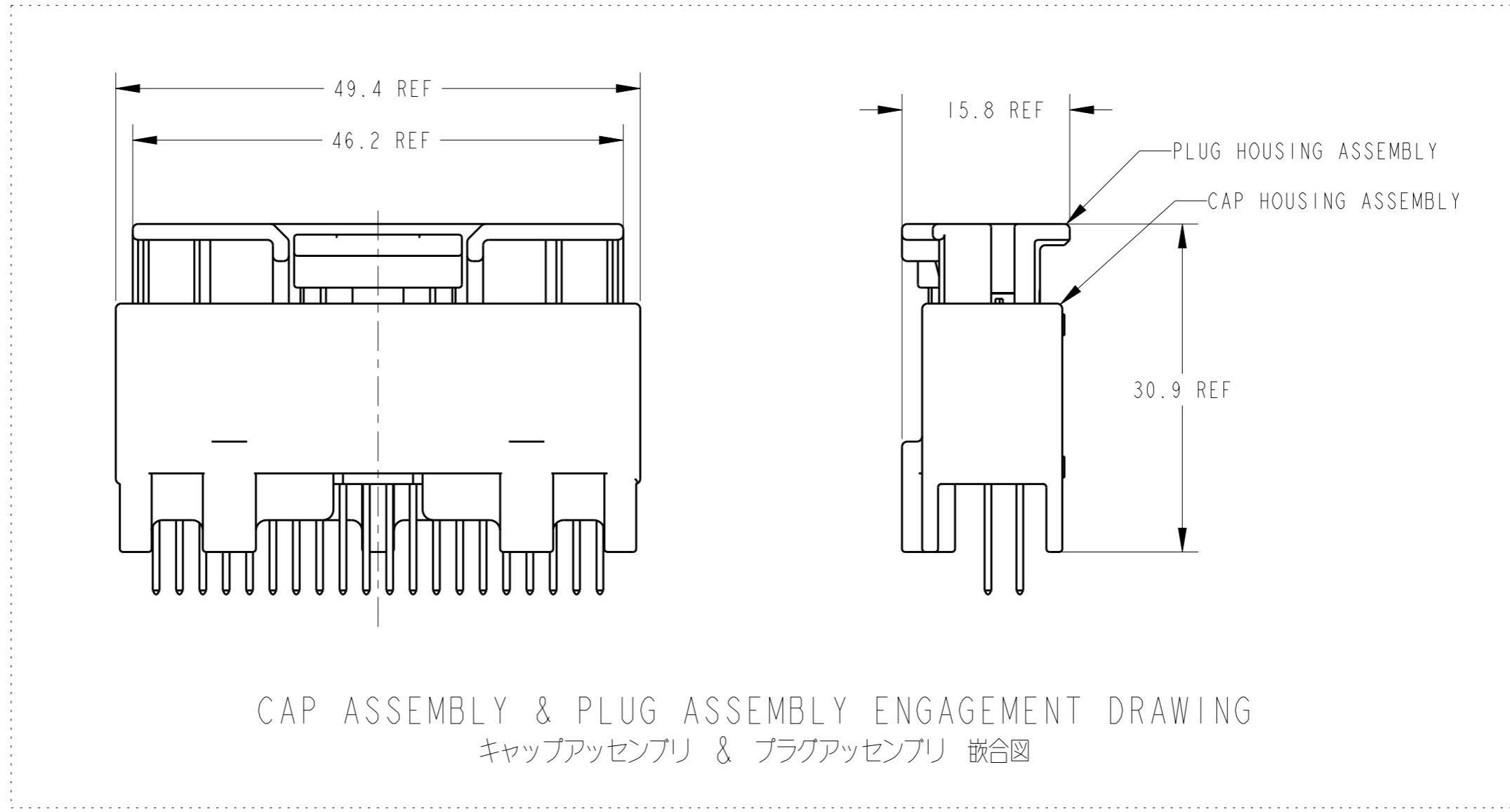
RESTRICTED TO

TE Connectivity
 025 SERIES 40P(PCB V-TYPE)
 CAP HSG ASSY


4:1 SHEET 1 OF 2 REV C4

THIS DRAWING IS UNPUBLISHED. RELEASED FOR PUBLICATION
 © COPYRIGHT 2011 ALL RIGHTS RESERVED.

LOC	DIST	REVISIONS					
		P	LTR	DESCRIPTION	DATE	DWN	APVD
J	-	-	-	SEE SHEET 1	-	-	-



CAP ASSEMBLY & PLUG ASSEMBLY ENGAGEMENT DRAWING
 キャップアッセンブリ & プラグアッセンブリ 嵌合図

THIS DRAWING IS A CONTROLLED DOCUMENT.		DWN	 TE Connectivity		
DIMENSIONS: 単位: 概 mm		CHK			
TOLERANCES UNLESS OTHERWISE SPECIFIED: 一般公差 0 PLC ±0.1 1 PLC ±0.1 2 PLC ±0.01 3 PLC ±0.001 4 PLC ±0.000J ANGLES ±1.00'		APVD	NAME 名称 025 SERIES 40P(PCB V-TYPE) CAP HSG ASSY		
MATERIAL 材料		PRODUCT SPEC 製品規格 SEE 1 OF 2 APPLICATION SPEC 取付適用規格 SEE 1 OF 2	SIZE A3	CAGE CODE 00779	DRAWING NO 番号 C-1376113
FINISH 仕上		WEIGHT SEE 1 OF 2	RESTRICTED TO -		
Customer Drawing			SCALE 尺度 4:1	SHEET 2 OF 2	REV C4

Mouser Electronics

Authorized Distributor

Click to View Pricing, Inventory, Delivery & Lifecycle Information:

[TE Connectivity:](#)

[1376113-2](#)