

## FEATURES

- Wide operating Voltages ranging from 5Vrms to 1000V(6Vdc to 1465Vdc).
- Fast response time of less than 25nS,instantly Clamping the transient over Voltage.
- High surge current handling capability.
- High energy absorption capability.
- Low Clamping voltages, providing better surge protection.

## APPLICATIONS

- Transistor, Diode, IC, Thyristor or Triac semiconductor protection.
- Surge protection in consumer electronics.
- Surge protection in Industrial electronics.
- Surge protection in electronic home appliances, gas and petroleum appliances.
- Relay and electromagnetic valve surge absorption.

## GENERAL CHARACTERISTICS DEFINITION

- Operating Temperature: -40℃~+85℃.
- Storage Temperature: -40℃~+125℃.
- Working Surface Temperature: +115℃.
- Insulation Resistance: >100MΩ.

## ORDERING INFORMATION

10    D    560    K  
 ①    ②    ③    ④

- ① Size: 10: φ10.0mm;
- ② Type: D: Disk, S: Square;
- ③ Varistor voltage: 560—56×10<sup>0</sup>=56V;
- ④ Tolerance: K=±10%,L=±15%,M=±20%;

## PACKAGING

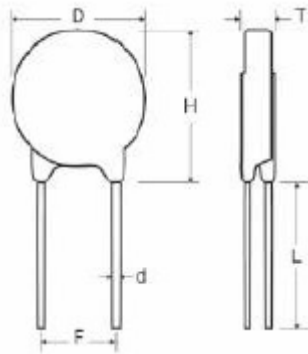
Model	Component Package	Quantity
10D560K	10.0mm	500

### ELECTRICAL CHARACTERISTIC

Part Number	Maximum allowable voltage		Varistor voltage	Clamping voltage (Max.)			Maximum peak current (8/20 $\mu$ s)		Maximum Energy current (10/1000 $\mu$ s)		Rated power (W)	Typical capacitance (Reference) @1KHz(pf)
	AC(V)	DC (V)		VC (V)	IP (A)	Standard (A)	High surge (A)	Standard (J)	High surge (J)			
10D560K	35	45	56(50-62)	110	5	250	500	12.9	13	0.05	1800	

### DIMENSIONS

(unit: mm)



Part No.	D Max.	H Max.	L Min.	F $\pm$ 0.8	d $\pm$ 0.05	T Max.
10D560K	12.5	16.5	25-30	7.5	0.8	5.5