

FEATURES

- Wide operating Voltages ranging from 5Vrms to 1000V(6Vdc to 1465Vdc).
- Fast response time of less than 25nS,instantly Clamping the transient over Voltage.
- High surge current handling capability.
- High energy absorption capability.
- Low Clamping voltages, providing better surge protection.

APPLICATIONS

- Transistor, Diode, IC, Thyristor or Triac semiconductor protection.
- Surge protection in consumer electronics.
- Surge protection in Industrial electronics.
- Surge protection in electronic home appliances, gas and petroleum appliances.
- Relay and electromagnetic valve surge absorption.

GENERAL CHARACTERISTICS DEFINITION

- Operating Temperature: -40℃~+85℃.
- Storage Temperature: -40℃~+125℃.
- Working Surface Temperature: +115℃.
- Insulation Resistance: >100MΩ.

ORDERING INFORMATION

10 D 220 K
 ① ② ③ ④

- ① Size: 10: φ10.0mm;
- ② Type: D: Disk, S: Square;
- ③ Varistor voltage: 220—— $22 \times 10^1 = 220V$;
- ④ Tolerance: K=±10%,L=±15%,M=±20%;

PACKAGING

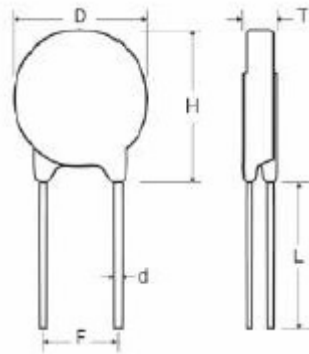
Model	Component Package	Quantity
10D220K	10.0mm	500

ELECTRICAL CHARACTERISTIC

Part Number	Maximum allowable voltage		Varistor voltage	Clamping voltage (Max.)			Maximum peak current (8/20 μ s)		Maximum Energy current (10/1000 μ s)		Rated power (W)	Typical capacitance (Reference) @1KHz(pf)
	AC(V)	DC (V)		VC (V)	IP (A)	Standard (A)	High surge (A)	Standard (J)	High surge (J)			
10D220K	14	18	22(20-24)	43	5	250	500	4.5	5.0	0.05	4500	

DIMENSIONS

(unit: mm)



Part No.	D Max.	H Max.	L Min.	F \pm 0.8	d \pm 0.05	T Max.
10D220K	12.5	16.5	25-30	7.5	0.8	4.7