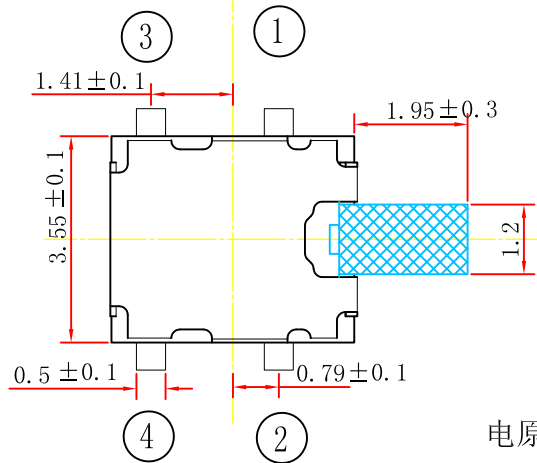
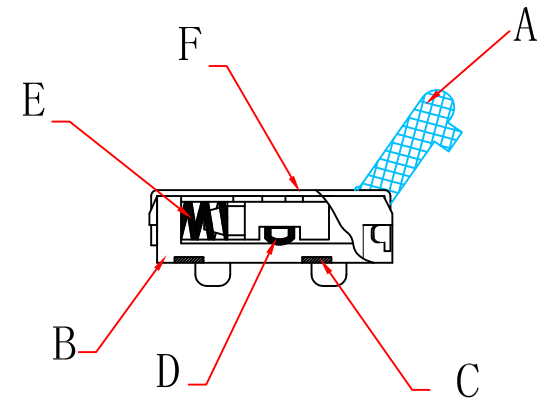
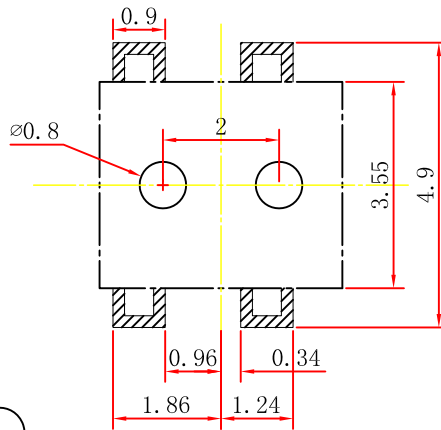


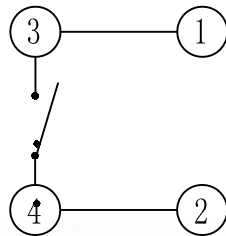
Rated range: 50mA DC12V  
 Insulation resistance: 100M min(DC100V)  
 Contact resistance: 300m  
 Compressive strength: AC100V(50/60Hzfoy1minute)  
 Mechanical life: 50000 cycles  
 Operating temperature: -10 ~ +60  
 Operation strength: 50 ± 30gf



PCB板位置尺寸



电原理图



F	lid	1	SUS	silvery white
E	Shrapnel	1	SUS	silvery white
D	Contact plate	1	PPA	black
C	Solder patch	1	Phosphor bronze	silvery white
B	base	1	PPA	black
A	Button	1	PA66	wihte
ITEM	PAPT NAMF	QTY	Material	colour

For and on behalf of  
**XKB INDUSTRIAL PRECISION CO., LIMITED**  
**香港星坤工業精密有限公司**

△ X	
△ X	
△ X	
MARK	

REVISIONS

Authorized Signature(s)

DSND		DATE		SCALE: N/A	MODEL TYPE: TM-1201-X
DWN		DATE		VIEW:	PART NO.:
CHKD		DATE		UNIT: mm	DWG NO.:
APPD		DATE		SIZE: A4	
XKB INDUSTRIAL PRECISION CO., LIMITED				WEIGHT	1.0g
				SHEET	1/1
				REVISION	A0