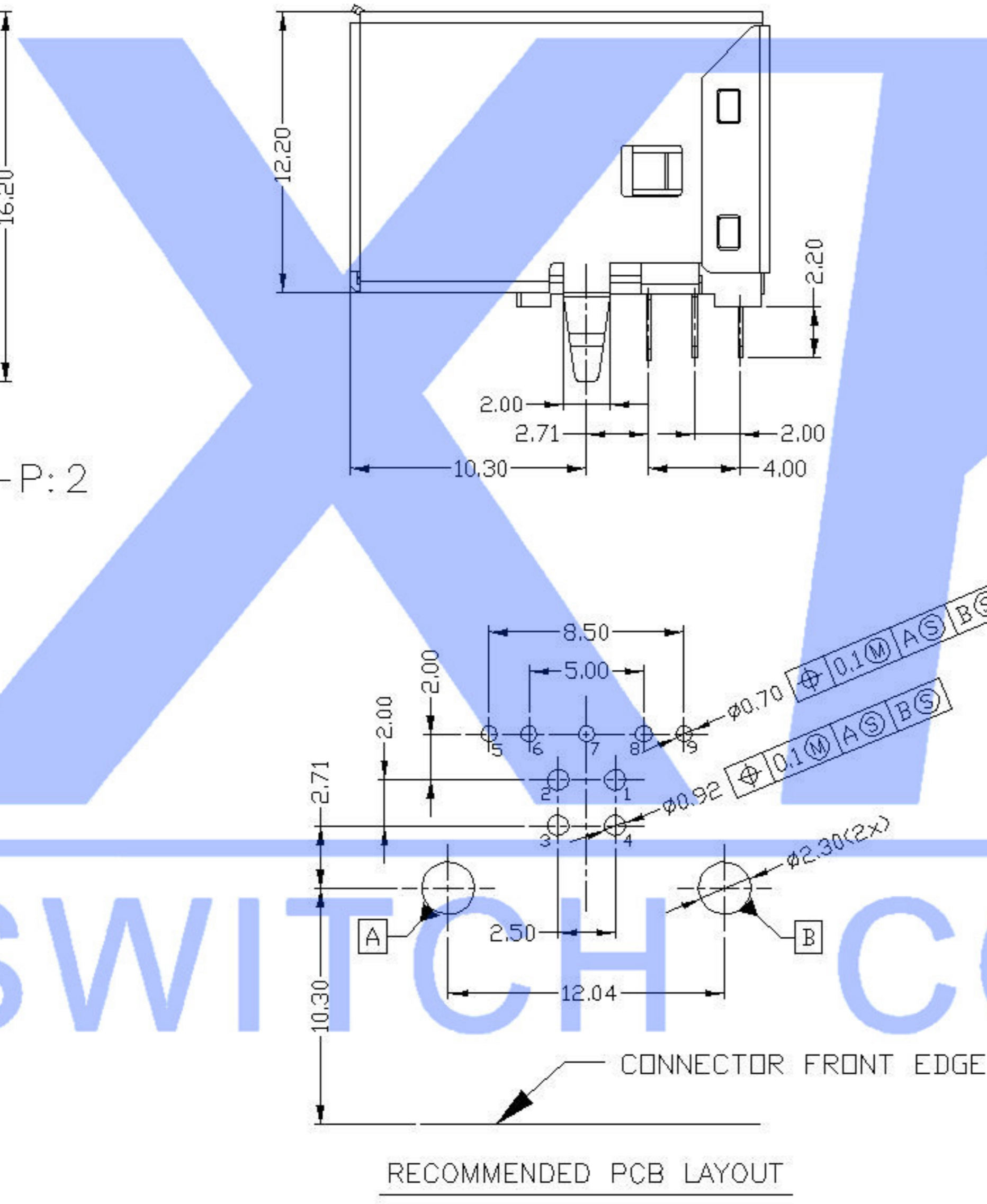
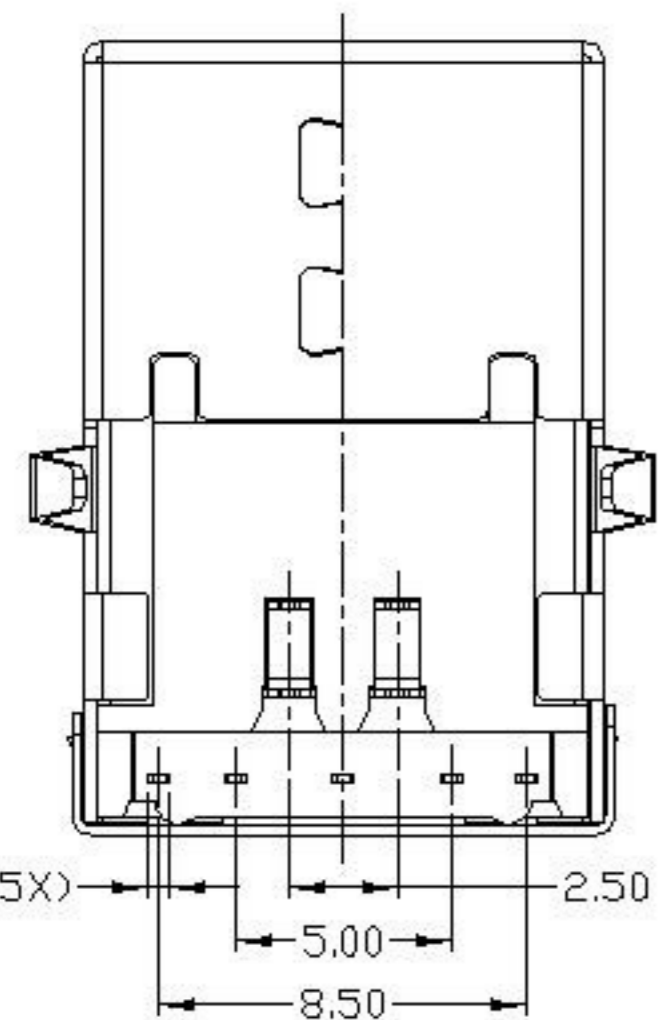
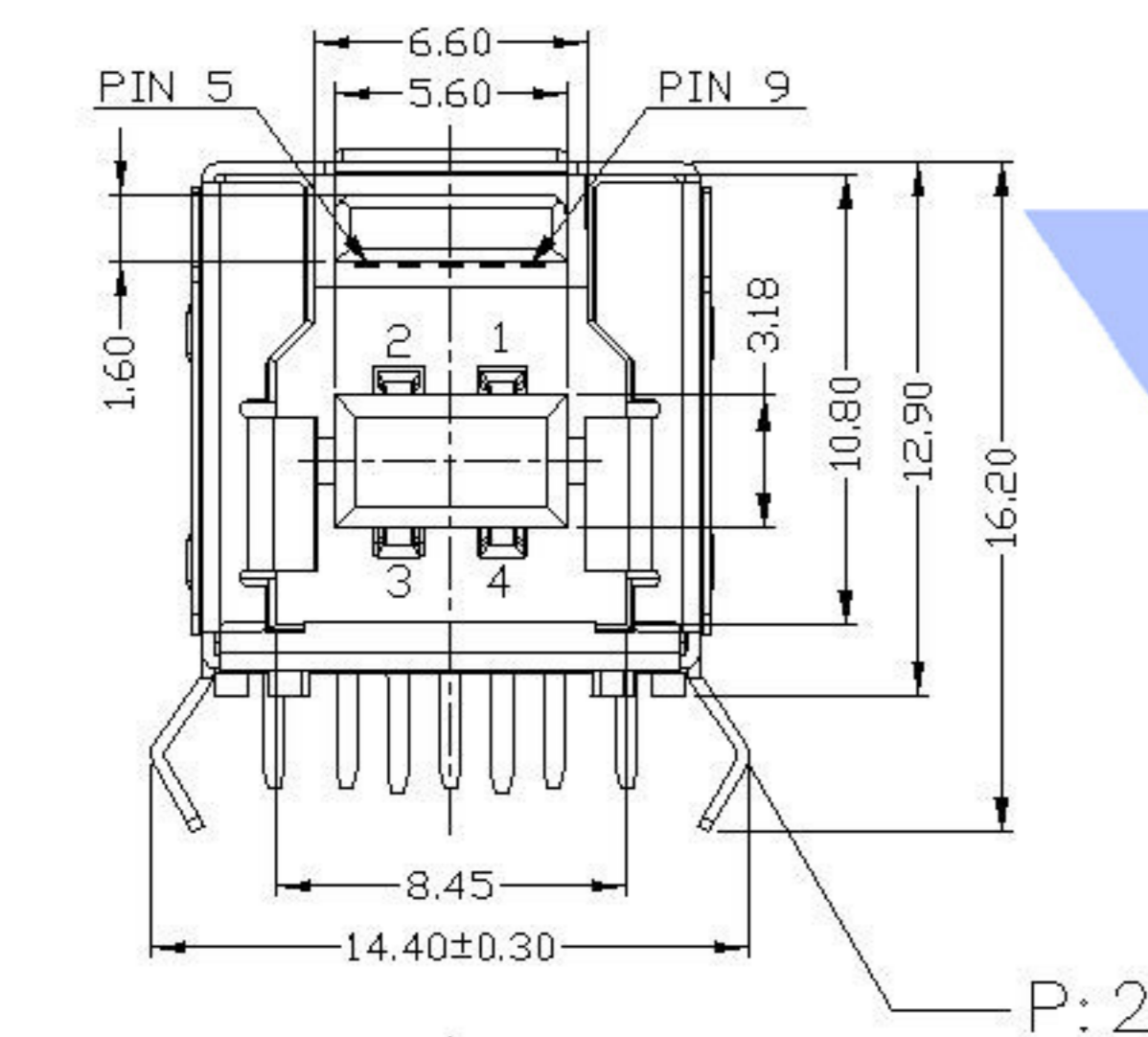
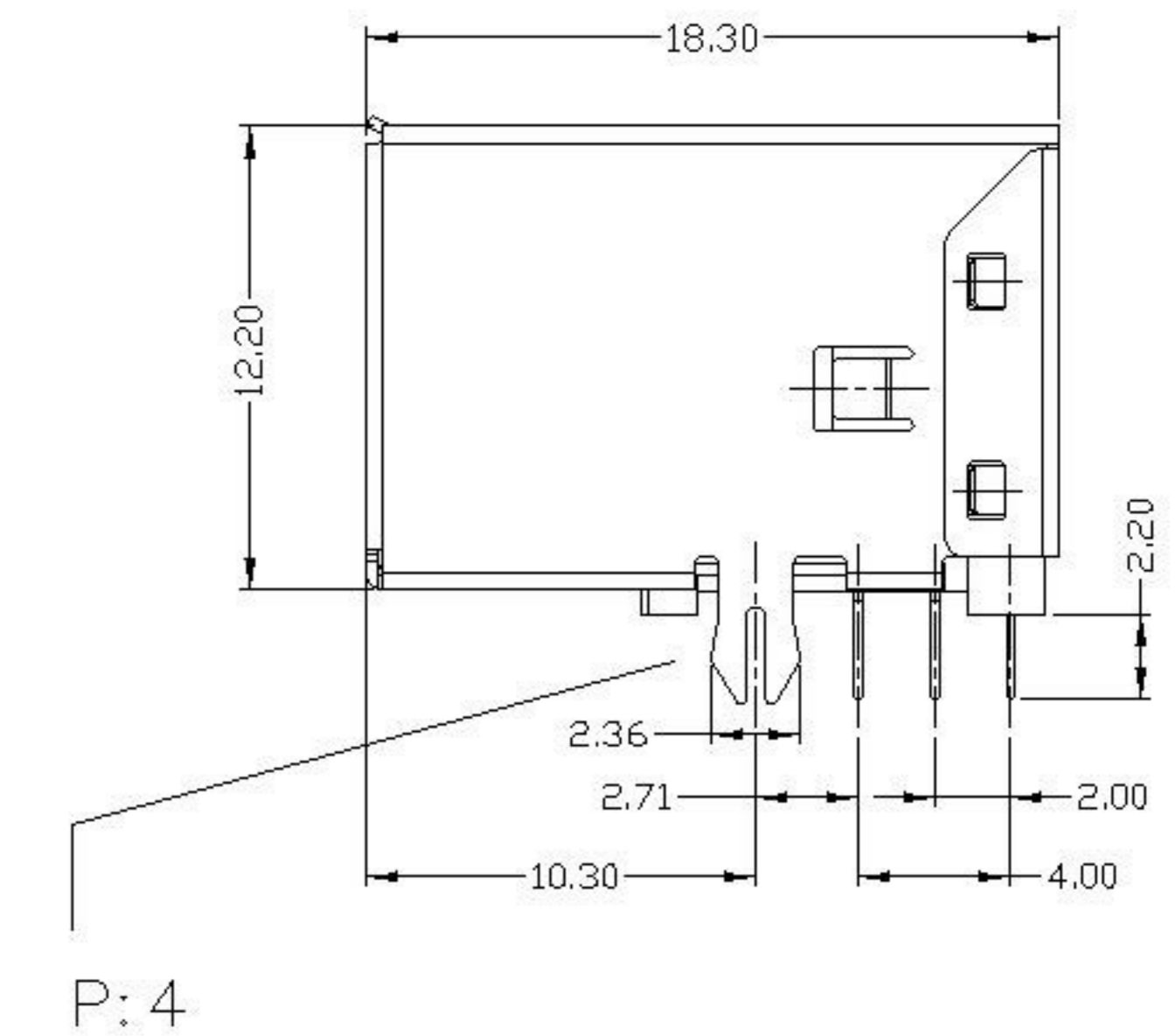
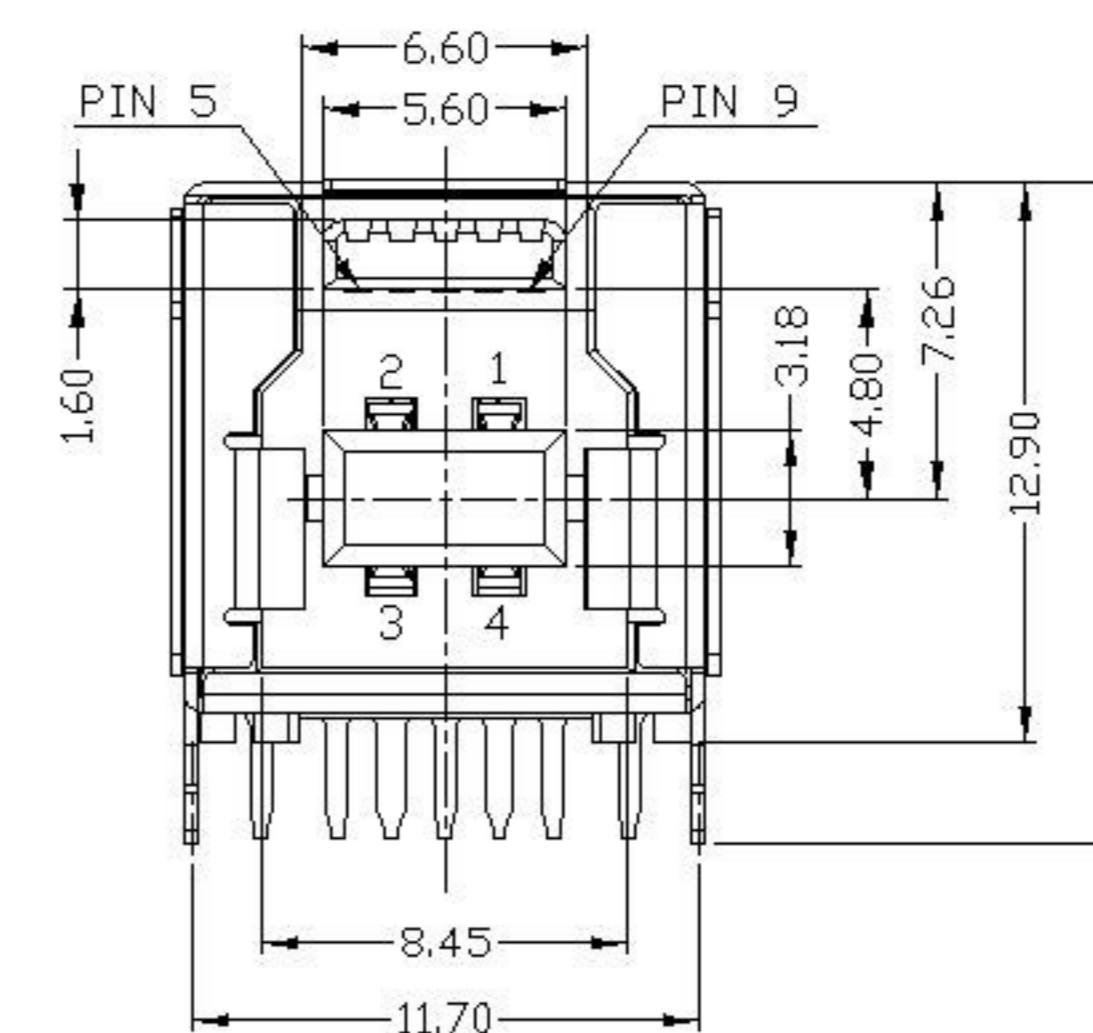
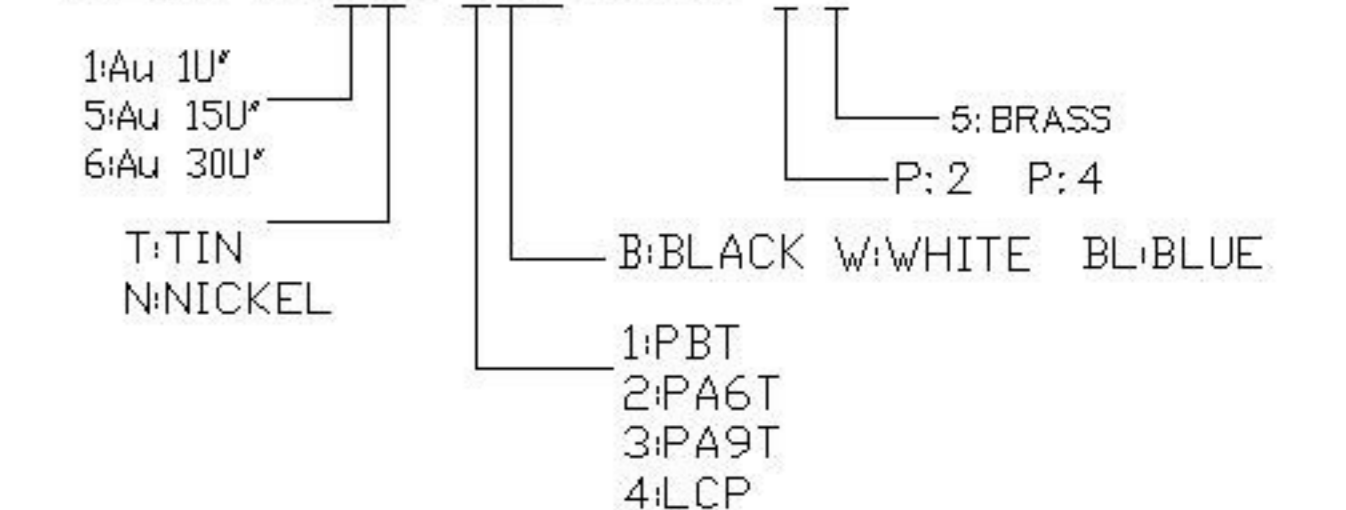


Pin NUMBER	SIGNAL NAME
1	VBUS
2	D-
3	D+
4	GND
5	StdB_SSTX-
6	StdB_SSTX+
7	GND_DRAIN
8	StdB_SSRX-
9	StdB_SSRX+
Shell	Shield



**Material**  
Housing Material: LCP, UL94V-0, blue  
Contact Terminal: Brass  
Metallic Shell: Brass  
Plating  
Underplating: Nickel  
Contact Plating: 1μ" Gold  
Solder Tail: 100μ" Min. Tin  
Metallic Shell: Nickel  
Electrical  
Voltage Rating: 100 V AC  
Current Rating: 0.25A (Signal pins 2,3,5,6,7,8,9) 1.8A (Power Pins 1,4)  
Contact Resistance: 30mΩ Max.  
Insulation resistance: 1000MΩ Min.  
Dielectric withstanding voltage: 100V AC/Minute  
Mechanical  
Durability: 1500 cycles  
Mating Force: 35N (3.57Kgf) Max  
Unmating Force: 10N (1.02Kgf) Min. initial, 8N min after test  
Environmental and Processing  
Operating Temperature: -40°C to +85°C

U235-09XN-4BLRC16-X-5



MARK	DESCRIPTION	DATE	REVISED	APPROVED	UNSPECIFIED TOLERANCES	DSND	DATE	SCALE: N/A	MODEL TYPE: USB 3.0
Δ X					ANGULAR ±5°	DWN	DATE	VIEW:	PART NO.:
Δ X					L ≤ 4 ±0.2	CHKD	DATE	UNIT: mm	DWG NO.:
Δ X					4 < L ≤ 16 ±0.3	APPD	DATE	SIZE: A4	U235-09XN-4BLRC16-X-5
					16 < L ≤ 63 ±0.4	KKB INDUSTRIAL PRECISION CO., LIMITED			
					L > 63 ±0.5				
REVISIONS									
www.xk-dg.cn www.helloxkb.com www.helloxkb.cn									