

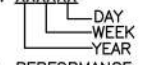
REV.	ECR/N NO./DESCRIPTION	DATE	DRAWN	CHECKED	APPROVE
1	SN14190	01/04'15	Sam	Vito	Barney
1A	SN17***	08/23'17	Jingyan.Zhao	Vito	Ford

NOTES:

- MATERIAL SPECIFICATION:
 - HOUSING: LCP+40%GF,UL-94V0,BLACK.
 - CONTACT:COPPER ALLOY.
 - SMT TAB: S50C.
- PLATING SPECIFICATION:
 - CONTACT:
 - 50u" MIN.NICKEL UNDER PLATING OVER ALL. G/F" PLATING ON SOLDER AREA.
 - GOLD PLATING ON CONTACT AREA SEE TABLE.
 - SMT TAB:
 - 50u" MIN. NICKEL UNDER PLATING OVER ALL .
 - 80u" MIN. MATTE TIN PLATING ON SOLDER AREA.

3. HF COMPLIANT, ROHS COMPLIANT.

4. DATE CODE: XXXXXX



5. MECHANICAL PERFORMANCE:
5-1. DURABILITY: SEE TABLE

6. ELECTRICAL PERFORMANCE:

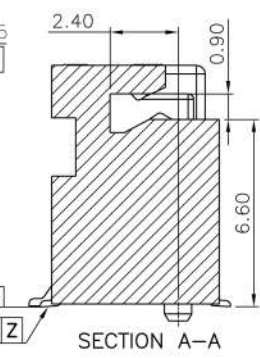
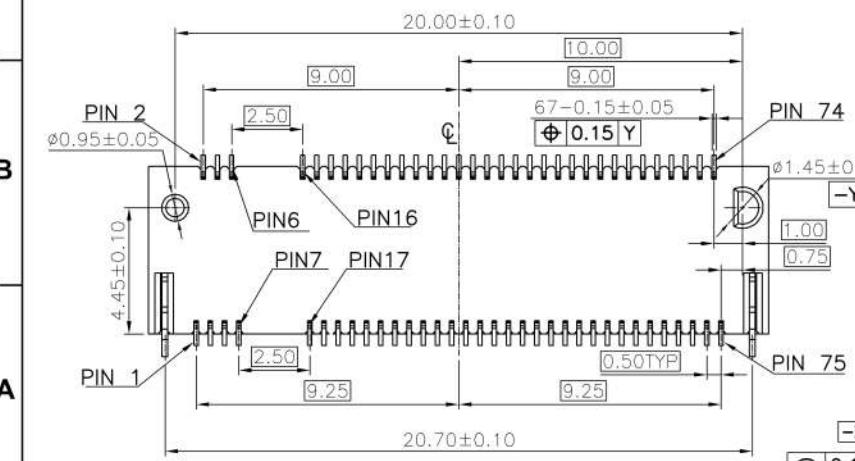
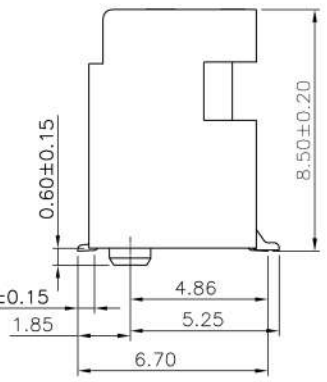
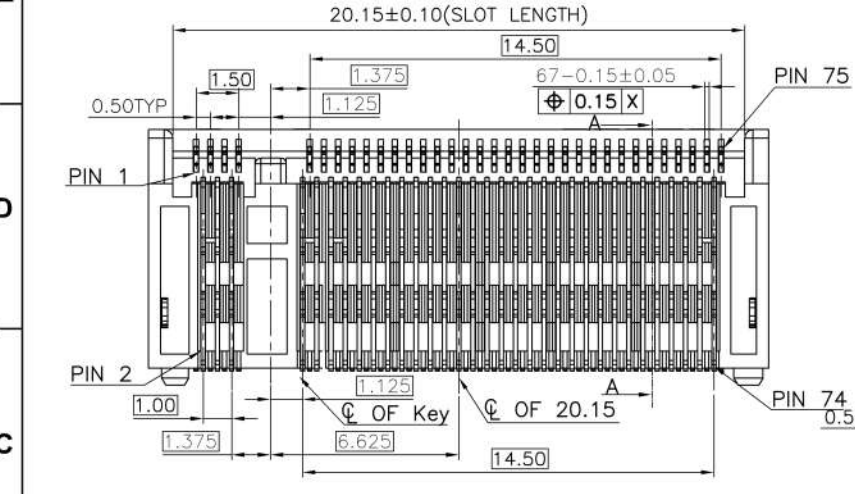
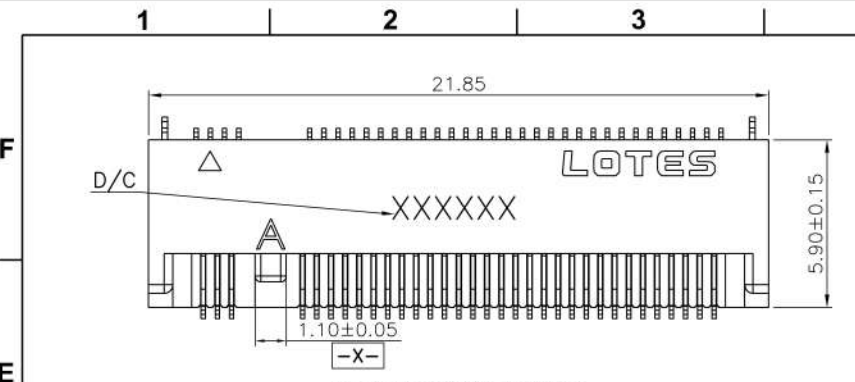
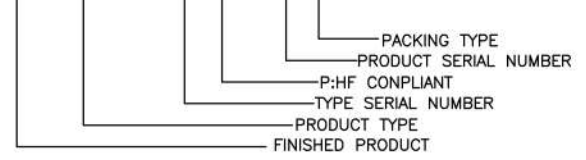
6-1. CURRENT: 0.5A PER PIN.

6-2. LLCR: INITIAL 55mΩ MAX. ; FINAL ΔLLCR=20mΩ MAX..

7. IR REFLOW:

THE TEMPERATURE SHALL BE 260±5°C MAINTAINING 10±1 SECONDS.

PRODUCT NUMBER NOTE

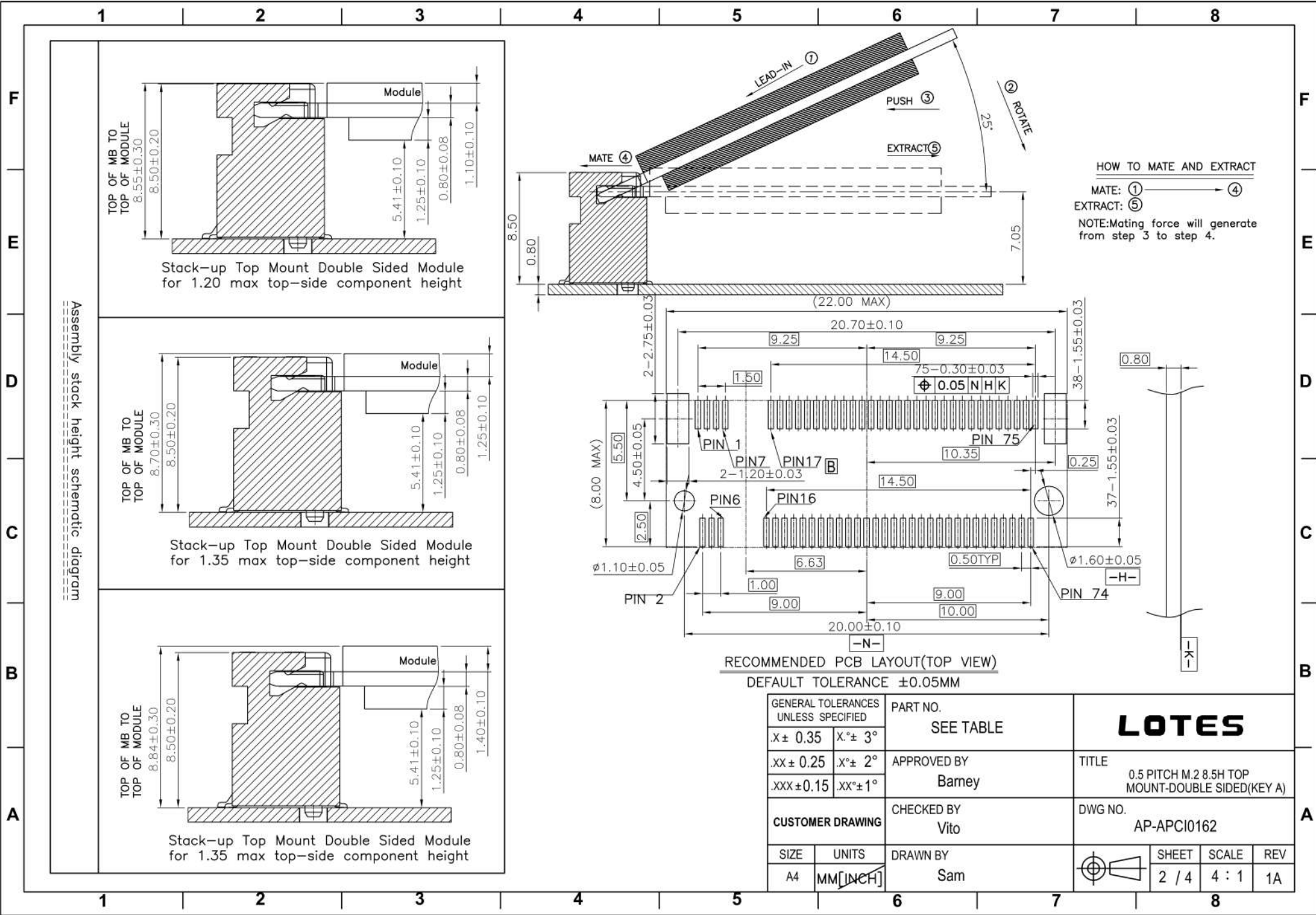


KEY NO	PART NO.	CONTACT PLATING	DURABILITY
A-KEY	APCI0162-P004A	30u' MIN. GOLD	60 CYCLES
	APCI0162-P003A	15u' MIN. GOLD	25 CYCLES
	APCI0162-P002A	10u' MIN. GOLD	25 CYCLES
	APCI0162-P001A	1u' MIN. GOLD	25 CYCLES

GENERAL TOLERANCES UNLESS SPECIFIED		PART NO.	LOTES		
X ± 0.35	X.° ± 3°	SEE TABLE			
.XX ± 0.25	.X.° ± 2°	APPROVED BY	TITLE 0.5 PITCH M.2 8.5H TOP MOUNT-DOUBLE SIDED(KEY A)		
.XXX ± 0.15	.XX.° ± 1°	Barney			
CUSTOMER DRAWING		CHECKED BY	DWG NO. AP-APCI0162		
		Vito			
SIZE	UNITS	DRAWN BY	SHEET SCALE REV		
A4	MM [INCH]	Sam			



SHEET	SCALE	REV
1 / 4	4 : 1	1A



GENERAL TOLERANCES UNLESS SPECIFIED

X \pm 0.35 X° \pm 3°
 .XX \pm 0.25 X° \pm 2°
 .XXX \pm 0.15 .XX° \pm 1°

PART NO.
SEE TABLE

APPROVED BY
Barney

CHECKED BY
Vito

DRAWN BY
Sam

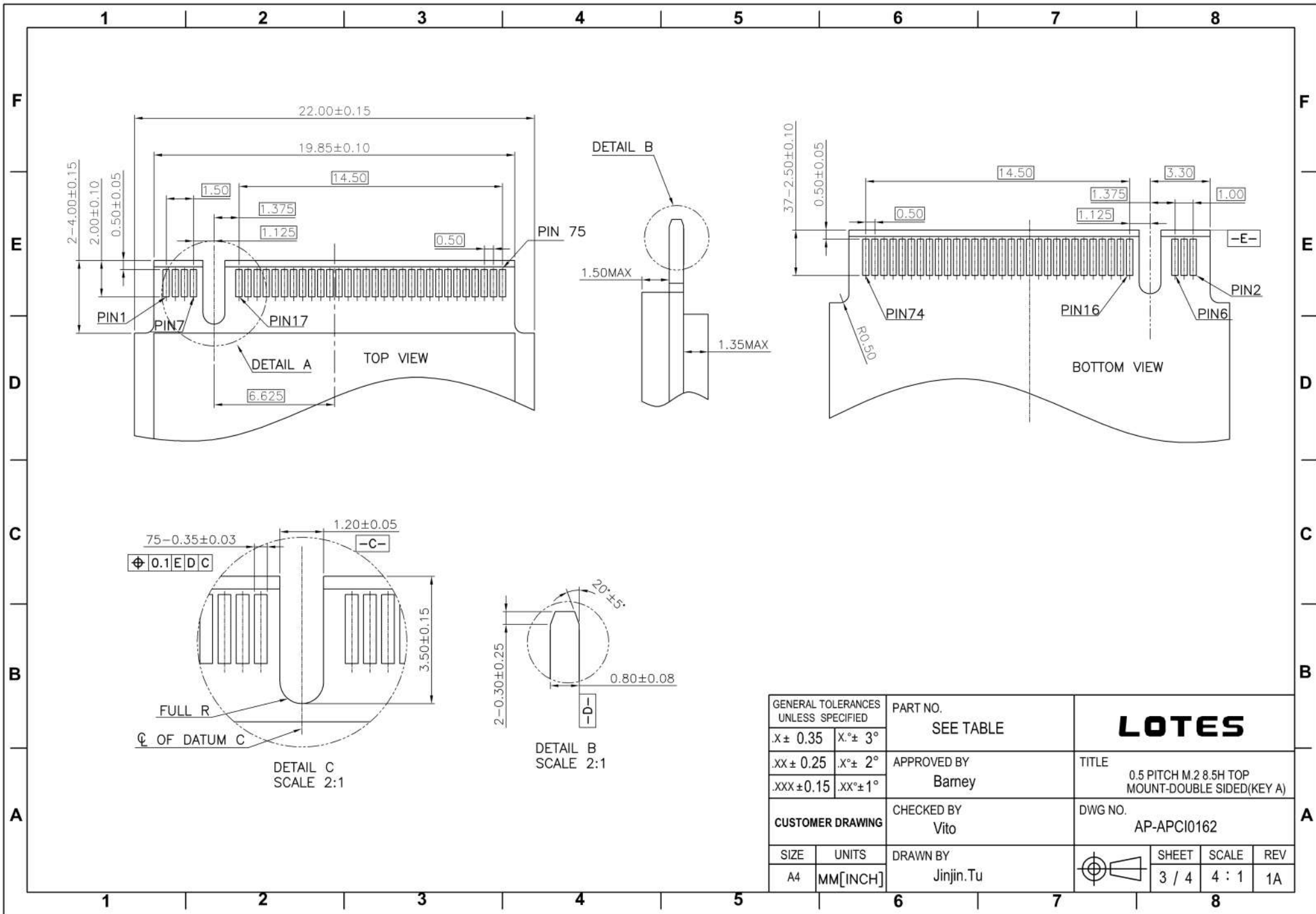
LOTES

TITLE
0.5 PITCH M.2 8.5H TOP MOUNT-DOUBLE SIDED(KEY A)

DWG NO.
AP-APCI0162

	SHEET	SCALE	REV
	2 / 4	4 : 1	1A

SIZE	UNITS
A4	MM [INCH]



GENERAL TOLERANCES UNLESS SPECIFIED		PART NO. SEE TABLE	LOTES				
X± 0.35	X°± 3°					APPROVED BY Barney	
.XX ± 0.25	.X° ± 2°		CHECKED BY Vito		DWG NO. AP-APCI0162		
.XXX ± 0.15	.XX° ± 1°	CUSTOMER DRAWING		DRAWN BY Jinjin.Tu			
SIZE A4	UNITS MM[INCH]	DRAWN BY Jinjin.Tu			SHEET 3 / 4	SCALE 4 : 1	REV 1A

