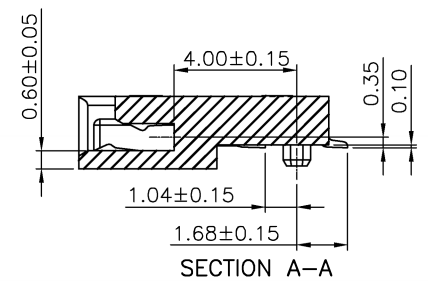
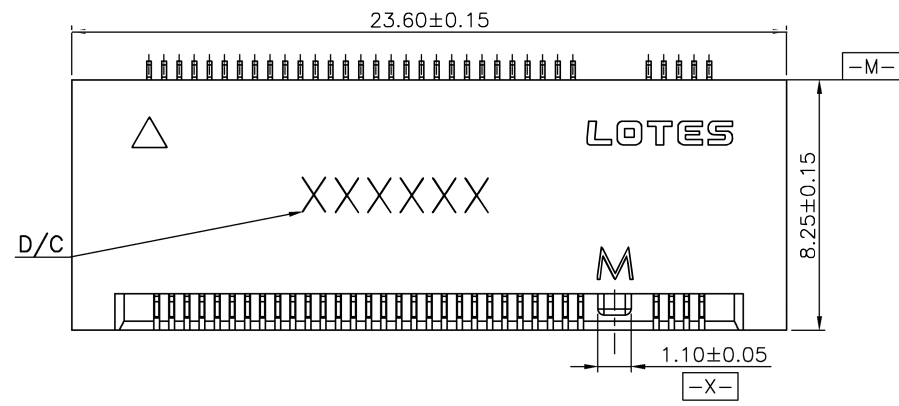
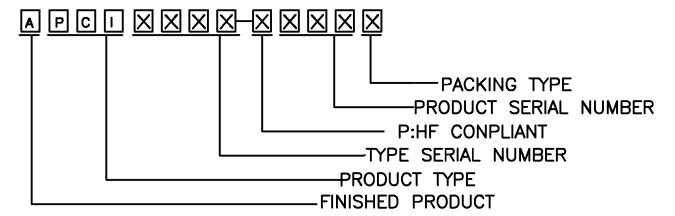
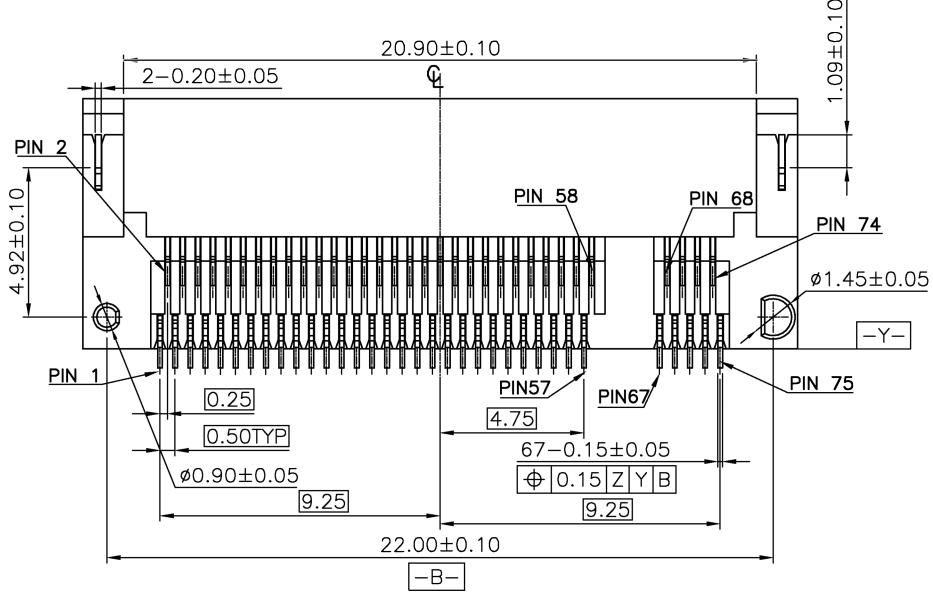
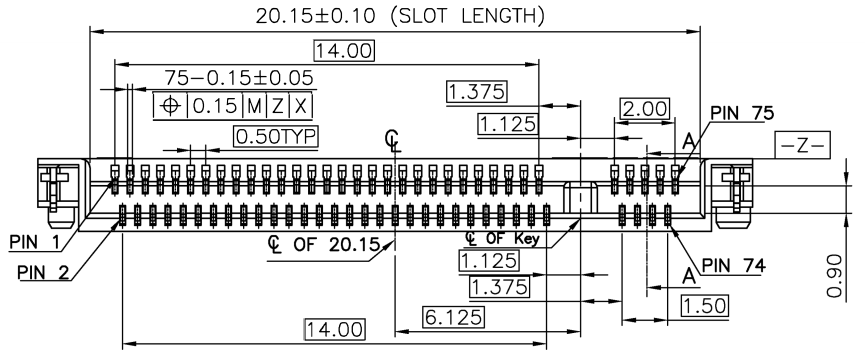
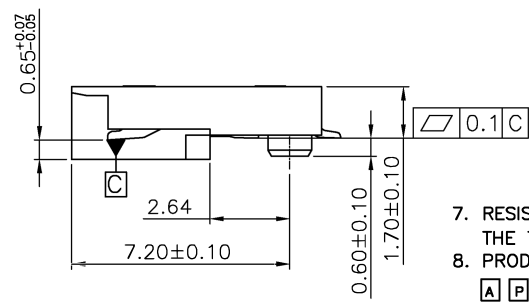


REV.	ECR/N NO./DESCRIPTION	DATE	DRAWN	CHECKED	APPROVE
1	SN15028	04/09'15	Jinjin.Tu	Vito	Barney

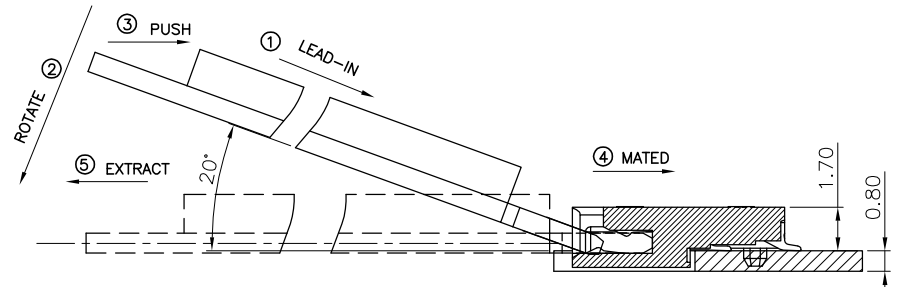
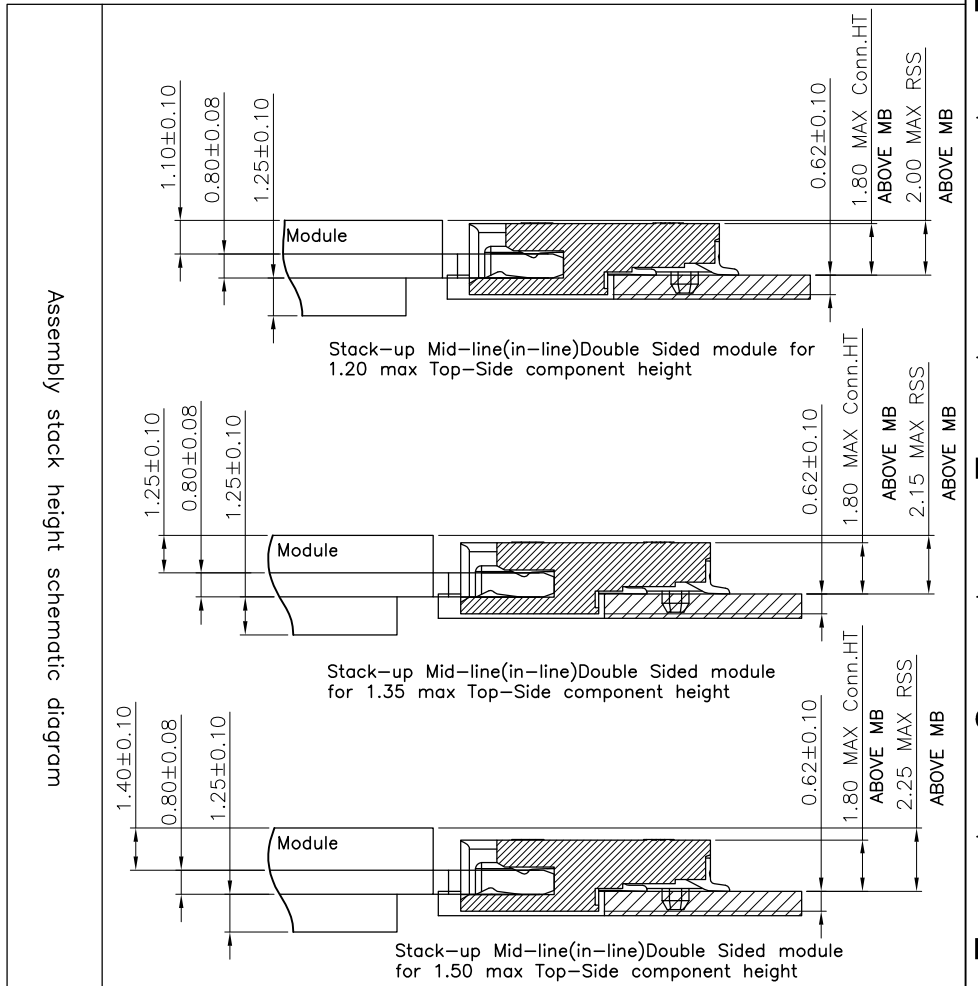
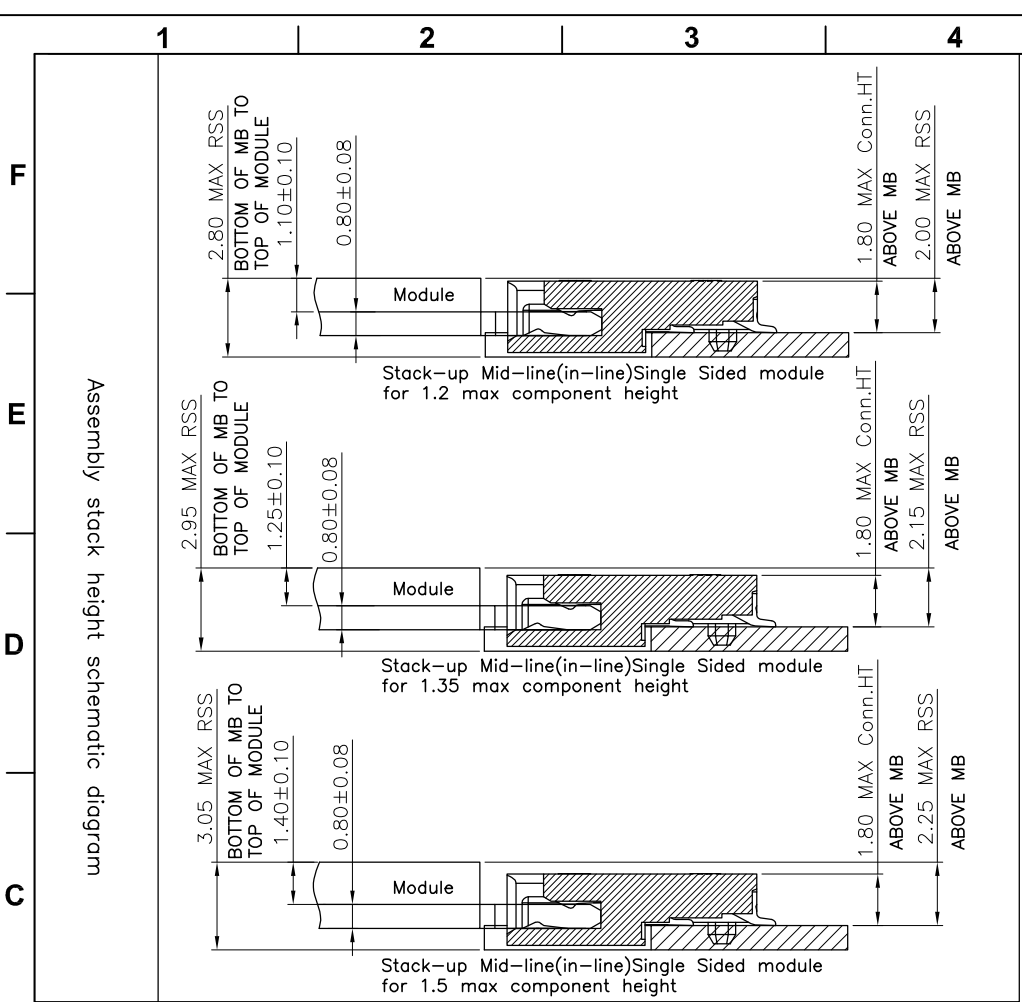



- NOTES:
- MATERIAL SPECIFICATION:
 - 1-1. HOUSING: LCP+40%GF, UL94V-0, COLOR: BLACK.
 - 1-2. CONTACT: COPPER ALLOY C1065.
 - 1-3. SMT TAB: S50C.
 - PLATING SPECIFICATION:
 - 2-1. CONTACT:
 - 50u" MIN. NICKEL UNDER PLATING OVER ALL.
 - G/F PLATING ON SOLDER AREA.
 - GOLD PLATING ON CONTACT AREA: SEE TABLE
 - 2-2. SMT TAB:
 - 50u" MIN. NICKEL UNDER PLATING OVER ALL.
 - 80u" MIN. MATTE TIN PLATING ON SOLDER AREA.
 - HF COMPLIANT.
 - DATE CODE: XXXXXX
 - DAY
 - WEEK
 - YEAR
 - MECHANICAL PERFORMANCE:
 - 5-1. DURABILITY: 25 CYCLES.
 - ELECTRICAL PERFORMANCE:
 - 6-1. CURRENT: 0.5A PER PIN.
 - 6-2. LLCR: INITIAL 55mΩ MAX.; FINAL ΔLLCR=20mΩ MAX..
 - RESISTANCE TO HEAT:
 - THE TEMPERATURE SHALL BE 260±5°C MAINTAINING 10±1 SECONDS.
 - PRODUCT NUMBER NOTE

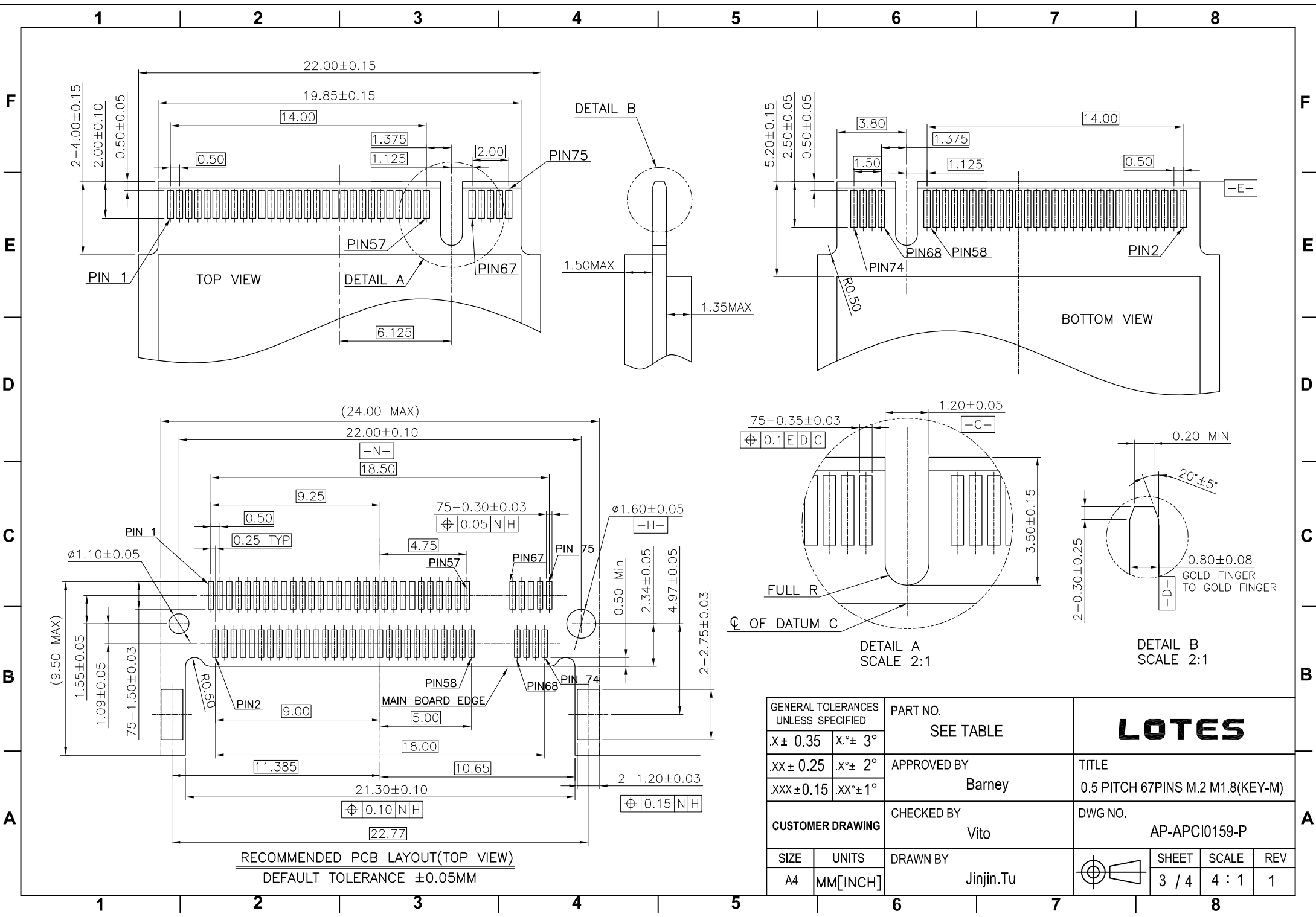


PART NO.	CONTACT PLATING	DURABILITY
APCI0159-P002A	10u" MIN. GOLD	25 CYCLES.
APCI0159-P001A	1-3u" MIN. GOLD	25 CYCLES.

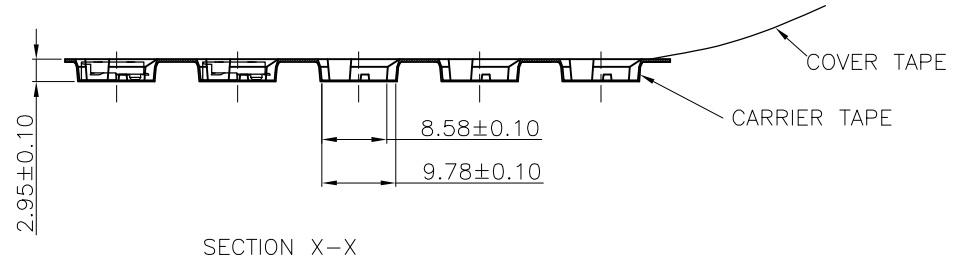
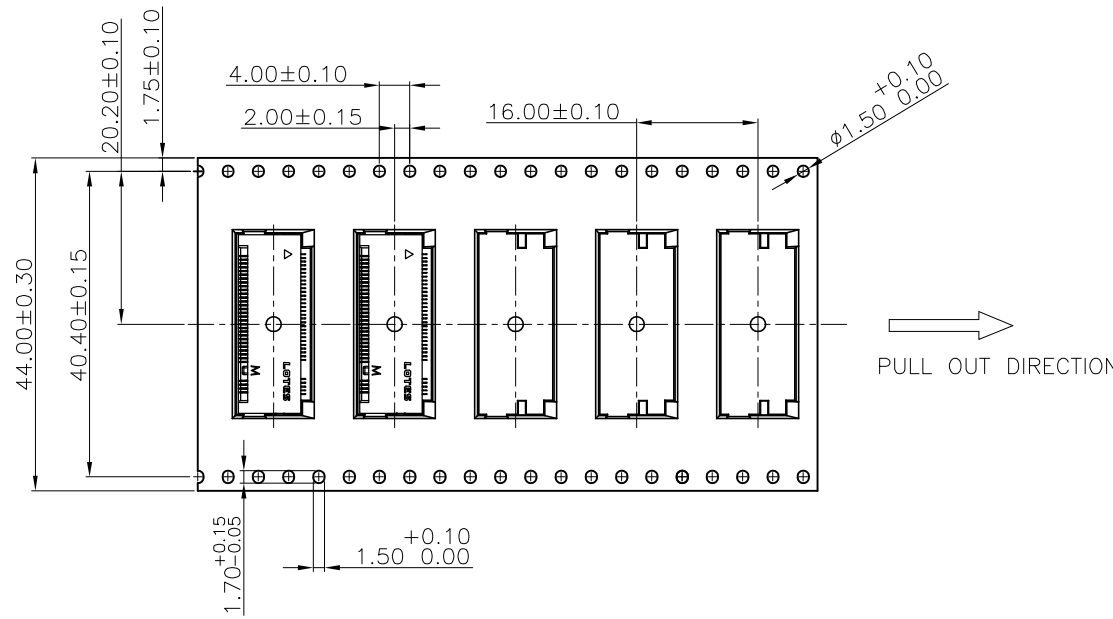
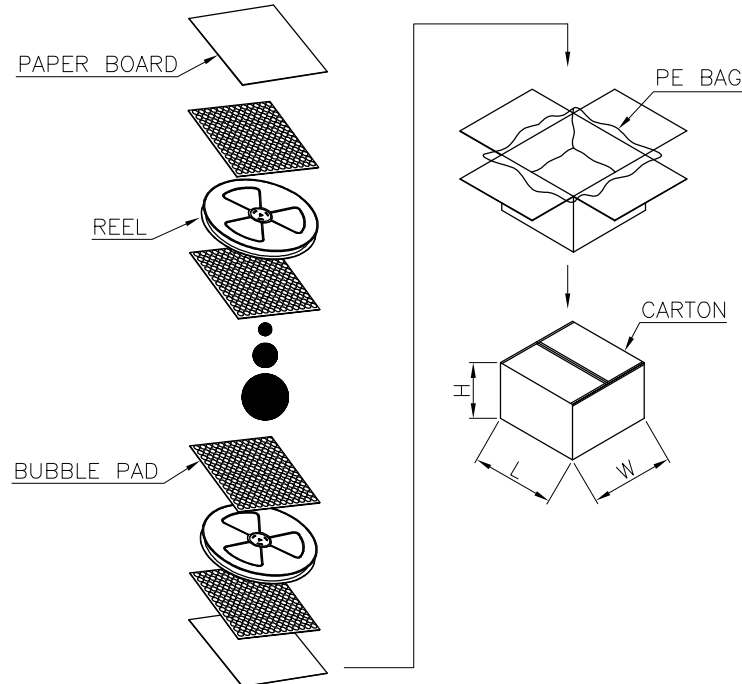
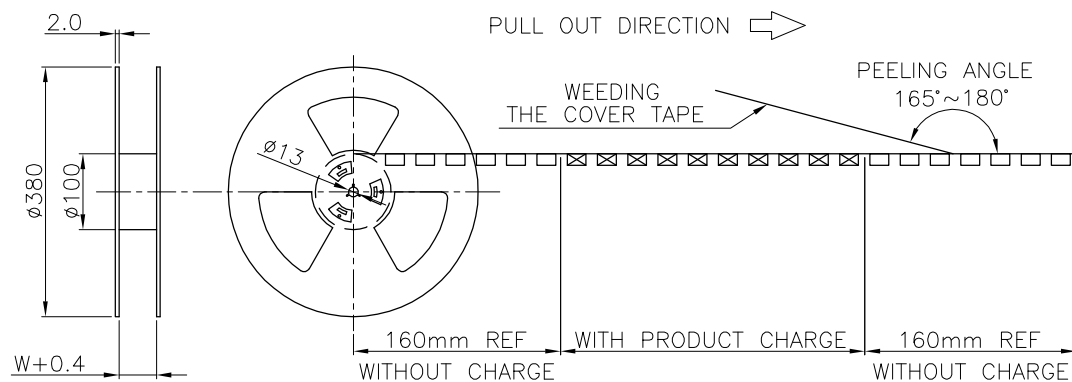
GENERAL TOLERANCES UNLESS SPECIFIED		PART NO. SEE TABLE	LOTES						
X ± 0.35	X° ± 3°								
XX ± 0.25	.X° ± 2°								
XXX ± 0.15	.XX° ± 1°	APPROVED BY Barney	TITLE 0.5 PITCH 67PINS M.2 M1.8(KEY-M)						
CUSTOMER DRAWING		CHECKED BY Vito	DWG NO. AP-APCI0159-P						
SIZE A4	UNITS MM [INCH]	DRAWN BY Jinjin.Tu	<table border="1"> <tr> <th>SHEET</th> <th>SCALE</th> <th>REV</th> </tr> <tr> <td>1 / 4</td> <td>4 : 1</td> <td>1</td> </tr> </table>	SHEET	SCALE	REV	1 / 4	4 : 1	1
SHEET	SCALE	REV							
1 / 4	4 : 1	1							



GENERAL TOLERANCES UNLESS SPECIFIED		PART NO. SEE TABLE		LOTES	
.X± 0.35 X.°± 3°		APPROVED BY Barney			
.XX± 0.25 X.°± 2°		CHECKED BY Vito		DWG NO. AP-APCI0159-P	
.XXX± 0.15 .XX°± 1°		DRAWN BY Jinjin.Tu		SHEET 2 / 4	
CUSTOMER DRAWING		SCALE 4 : 1		REV 1	
SIZE A4	UNITS MM[INCH]				



LOTES



2000	12000
PCS/REEL	PCS/CARTON

GENERAL TOLERANCES UNLESS SPECIFIED		PART NO. SEE TABLE		LOTES		
.X \pm 0.35	X. $^{\circ}$ \pm 3 $^{\circ}$	APPROVED BY Barney				
.XX \pm 0.25	.X. $^{\circ}$ \pm 2 $^{\circ}$	CHECKED BY Vito		DWG NO. AP-APCI0159-P		
.XXX \pm 0.15	.XX. $^{\circ}$ \pm 1 $^{\circ}$	CUSTOMER DRAWING		DRAWN BY Jinjin.Tu		
SIZE A4	UNITS MM[INCH]	DRAWN BY Jinjin.Tu		SHEET 4 / 4	SCALE 1 : 1	REV 1