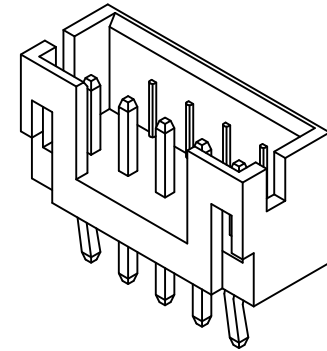


P.C.B LAYOUT

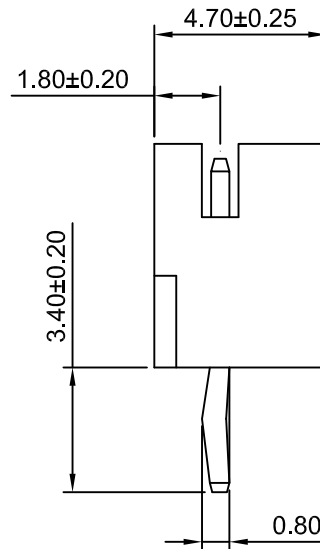
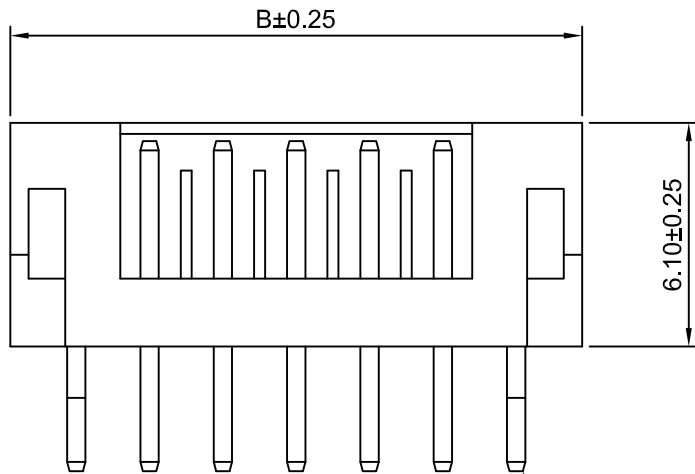


SPECIFICATIONS:

Current Rating: 3A AC,DC
 Voltage Rating: 300V AC,DC
 Temperature Range: -40°C ~ +105°C
 Contact Resistance: 20mΩ Max
 Insulation Resistance: 100MΩ Min
 Withstanding Voltage: 1000V AC/minute
 Pin Material: Brass/Tin over Nickel
 Material: Nylon 66,UL94V-0(Brown)
 Pantone Color: 153C~154C

Ordering Information & Dimensions

Circuits	Dimensions(mm)		Circuits	Dimensions(mm)	
	A	B		A	B
2P	2.00	6.00	9P	16.00	20.00
3P	4.00	8.00	10P	18.00	22.00
4P	6.00	10.00	11P	20.00	24.00
5P	8.00	12.00	12P	22.00	26.00
6P	10.00	14.00	13P	24.00	28.00
7P	12.00	16.00	14P	26.00	30.00
8P	14.00	18.00	15P	28.00	32.00



Circuit 1
PIN 0.50 SQ



CHANGJIANG CONNECTORS CO.,LTD.

Unit	Scale	Sheet
mm	5:1	1 of 1
Draw BY:	Approved :	
Tony Su	Jack Yin	

Title :
2.00mm PITCH
180° WAFER

A1	CHANGE THE DRAWING	2018.04.18	x.xx≤0.25 x.xxx≤0.20 x.xxxx≤0.15	ANGLE±
A0	NEW RELEASE	2005.05.10		
REV	DESCRIPTION	DATE		

DRAW NO : **A2002WV-XP** REV **A1**