

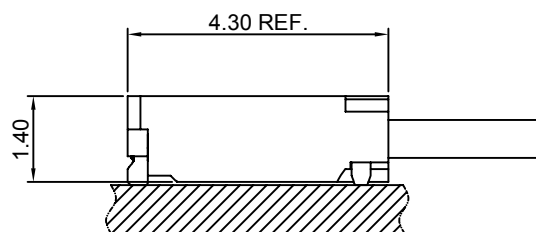
## Specifications

Current rating:2A AC,DC  
Voltage rating:50V AC,DC  
Temperature range:-40°C~+105°C  
Contact resistance:10mΩMax.  
Insulation resistance:100MΩMin.  
Withstanding voltage:500V AC/minute  
\*Compliant with RoHS and REACH\*  
\*Meet the HF/Halogen Free,need to customize\*  
\*Contact CJT for details\*

## Standards



## Assembly layout

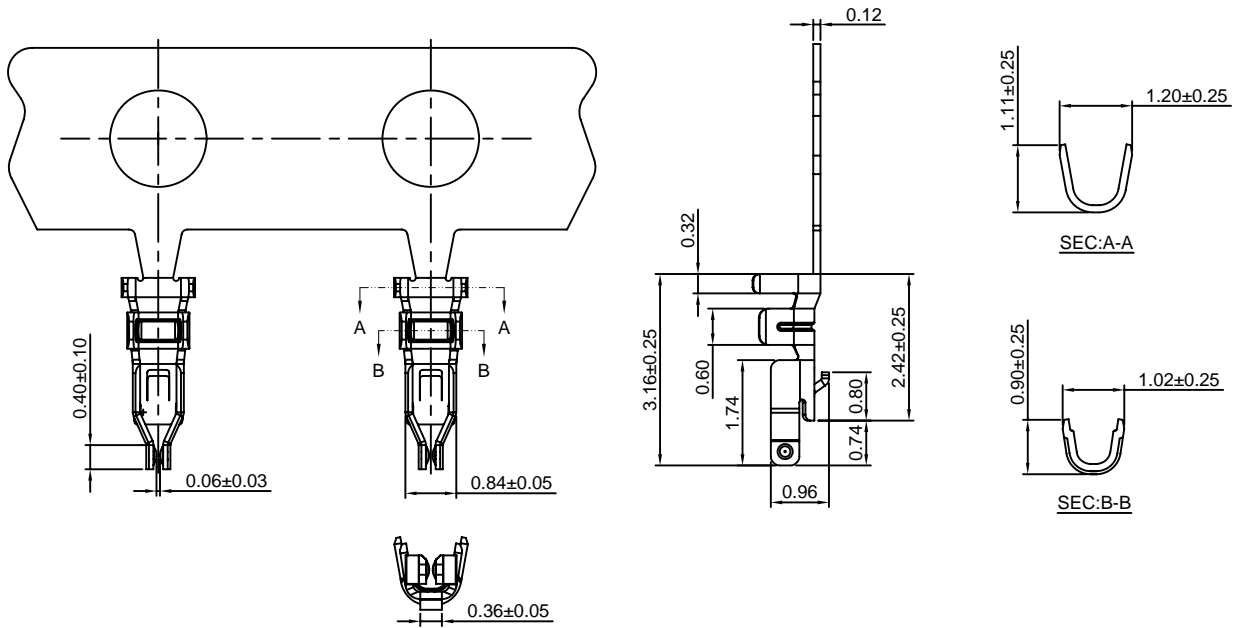


### A1201-T

1.20mm pitch Crimp Terminal

**Reference Informations:**

\*Used in CJT A1201 series Housing



Ordering information & Specifications:

Unit:mm

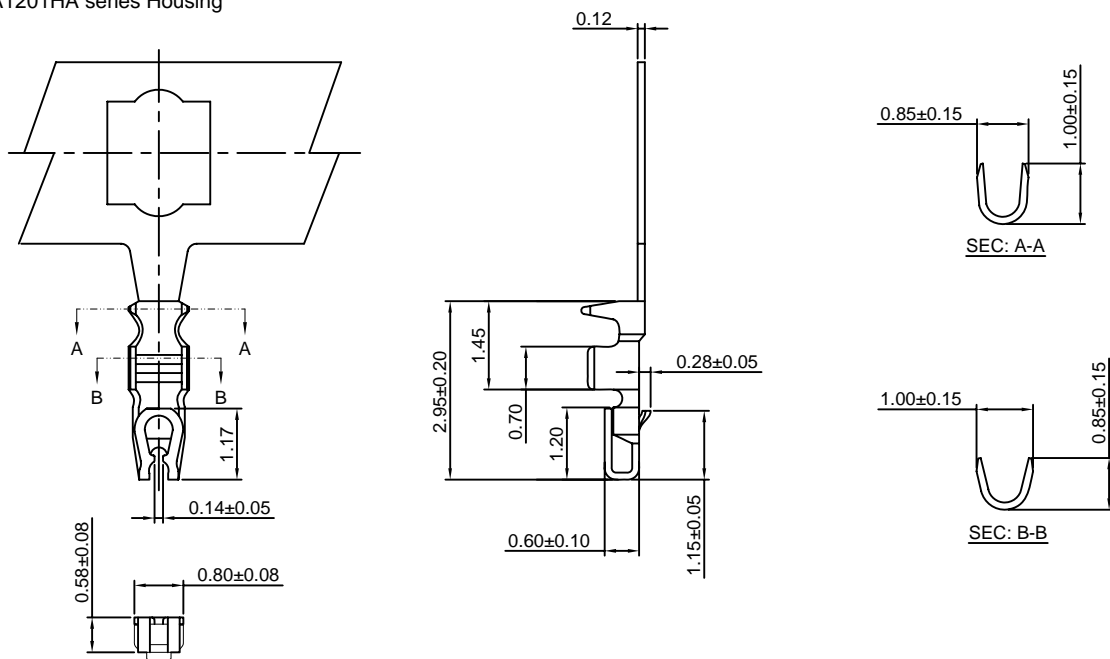
Part NO.	Wire Range	Insulation O.D.	Material	Finish	Qty/reel
A1201-GP	AWG#28-#30	0.63mm(max)	Phosphor Bronze	Gold over Nickel	30,000 PCS

### A1201-T-A

1.20mm pitch Crimp Terminal

**Reference Informations:**

\*Used in CJT A1201HA series Housing



Ordering information & Specifications:

Unit:mm

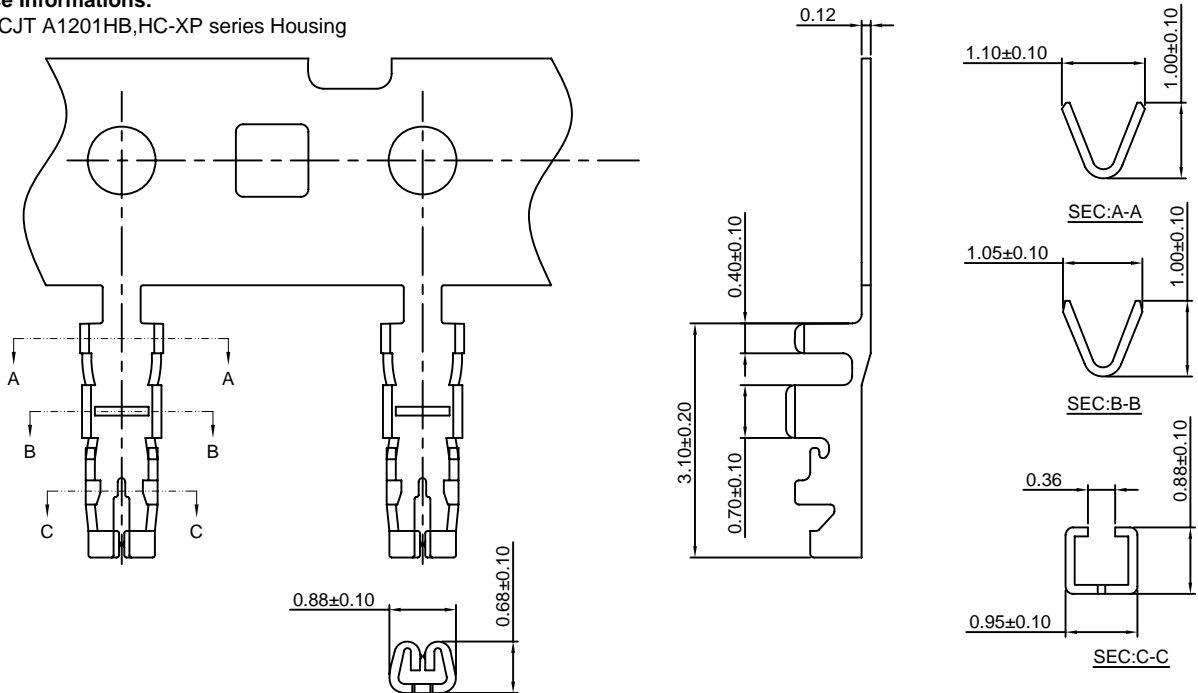
Part NO.	Wire Range	Insulation O.D.	Material	Finish	Qty/reel
A1201-GP-A	AWG#28-#32	0.63mm(max)	Phosphor Bronze	Gold over Nickel	15,000 PCS

**A1201-T-B**

1.20mm pitch Crimp Terminal

**Reference Informations:**

\*Used in CJT A1201HB,HC-XP series Housing



Ordering information & Specifications:

Unit:mm

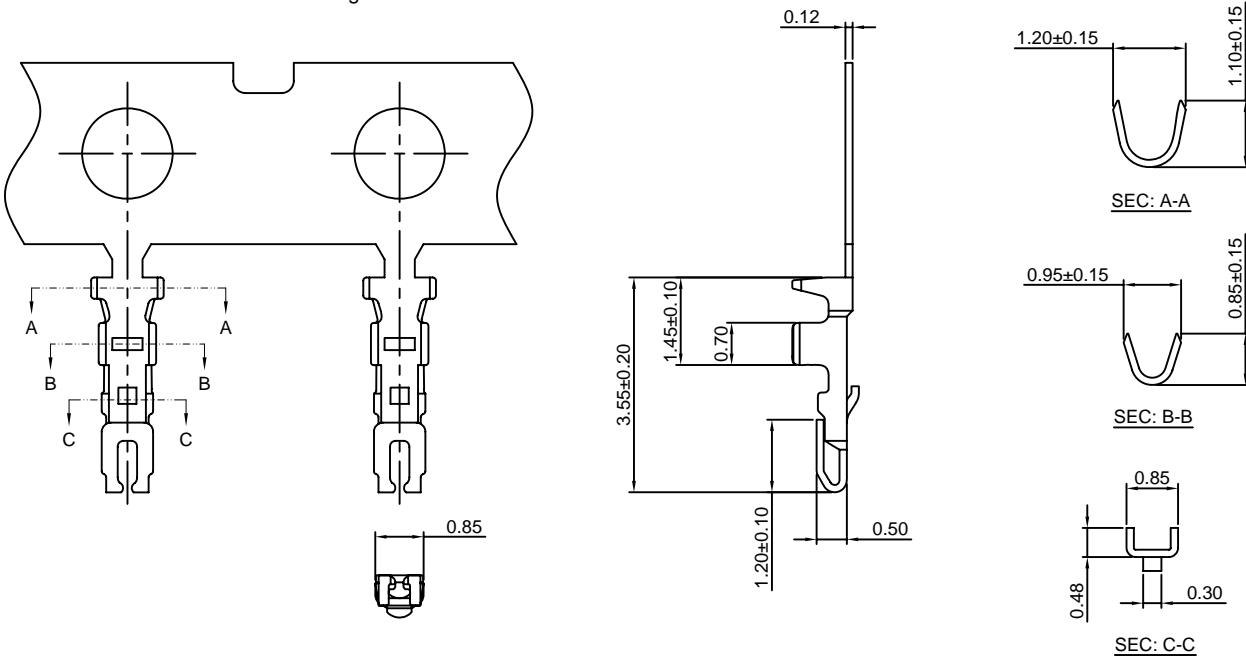
Part NO.	Wire Range	Insulation O.D.	Material	Finish	Qty/reel
A1201-TP-B	AWG#28-#32	0.63mm(max)	Phosphor Bronze	Tin over Nickel	30,000 PCS
A1201-GP-B	AWG#28-#32	0.63mm(max)	Phosphor Bronze	Gold over Nickel	30,000 PCS

**A1201-T-D**

1.20mm pitch Crimp Terminal

**Reference Informations:**

\*Used in CJT A1201HD-XP series Housing



Ordering information & Specifications:

Unit:mm

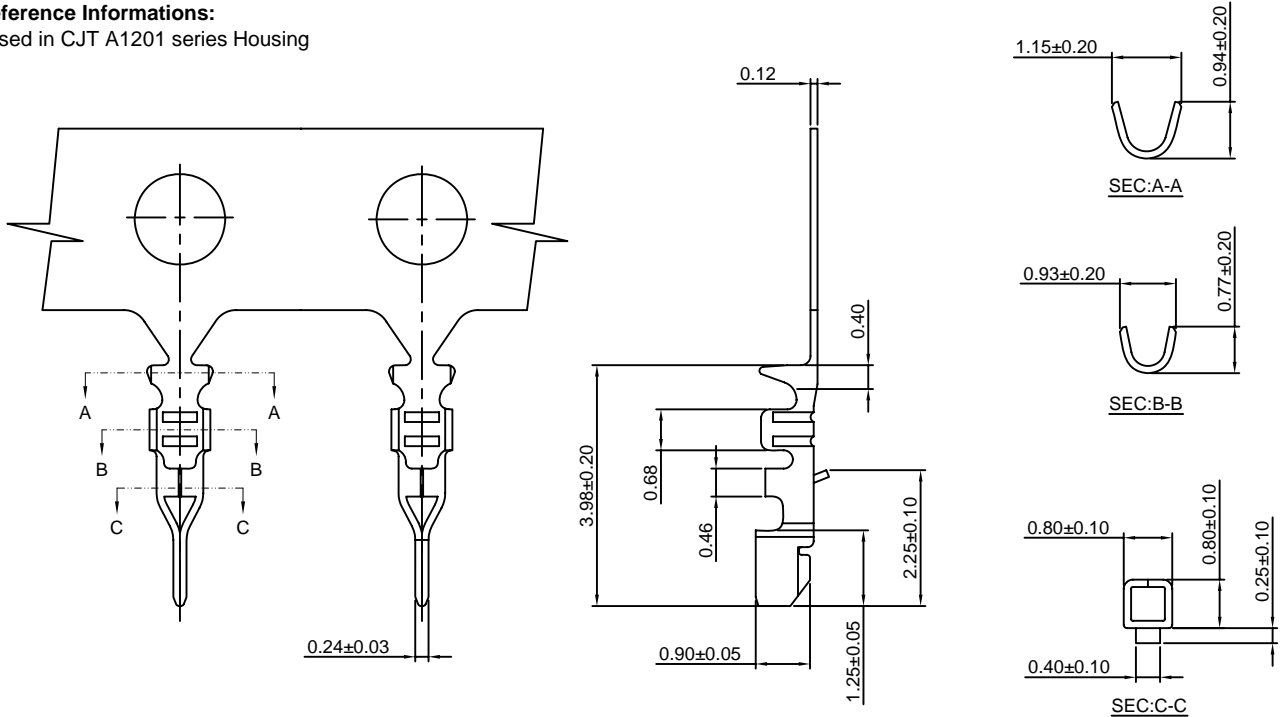
Part NO.	Wire Range	Insulation O.D.	Material	Finish	Qty/reel
A1201-GP-D	AWG#28-#30	0.63mm(max)	Phosphor Bronze	Gold over Nickel	40,000 PCS

### A1201M-GP

1.20mm pitch Crimp Terminal

**Reference Informations:**

\*Used in CJT A1201 series Housing



Ordering information & Specifications:

Unit:mm

Part NO.	Wire Range	Insulation O.D.	Material	Finish	Qty/reel
A1201M-GP	AWG#28-#32	0.50mm(max)	Phosphor Bronze	Gold over Nickel	15,000 PCS

### A1201H-XP

1.20mm pitch Housing

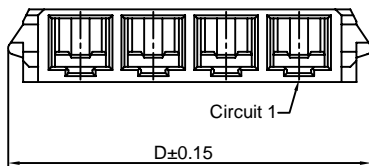
**Reference Informations:**

\*Material:Nylon 66,UL94V-0

\*Suitable CJT A1201-T series Terminal

\*Mates with CJT A1201WR-S-XP series Wafer

\*Color:Black



**Ordering Information:**

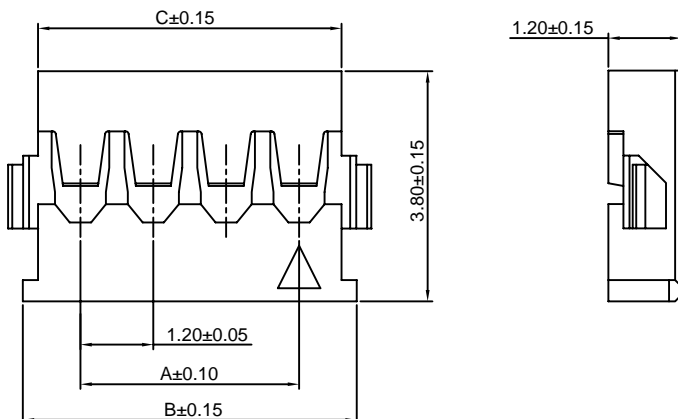
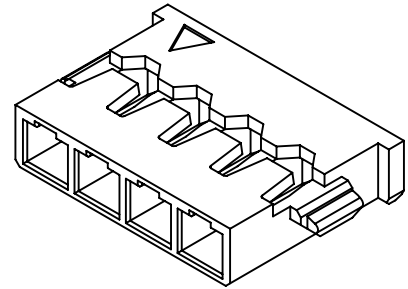
A1201H-XP - \*\*\*  
1 / 2

1.Part No.

2.Material:

(Blank):Nylon 66,UL94V-0

GWT:Nylon 66,UL94V-0,GWT 750°C



**Ordering Information & Dimensions:**

PART NO.	Dimensions			
	A	B	C	D
2P	1.20	3.10	2.60	3.60
3P	2.40	4.30	3.80	4.80
4P	3.60	5.50	5.00	6.00
5P	4.80	6.70	6.20	7.20
6P	6.00	7.90	7.40	8.40
7P	7.20	9.10	8.60	9.60
8P	8.40	10.30	9.80	10.80
9P	9.60	11.50	11.00	12.00
10P	10.80	12.70	12.20	13.20
11P	12.00	13.90	13.40	14.40
12P	13.20	15.10	14.60	15.60
13P	14.40	16.30	15.80	16.80
14P	15.60	17.50	17.00	18.00
15P	16.80	18.70	18.20	19.20

Unit: mm

### A1201HA-XP

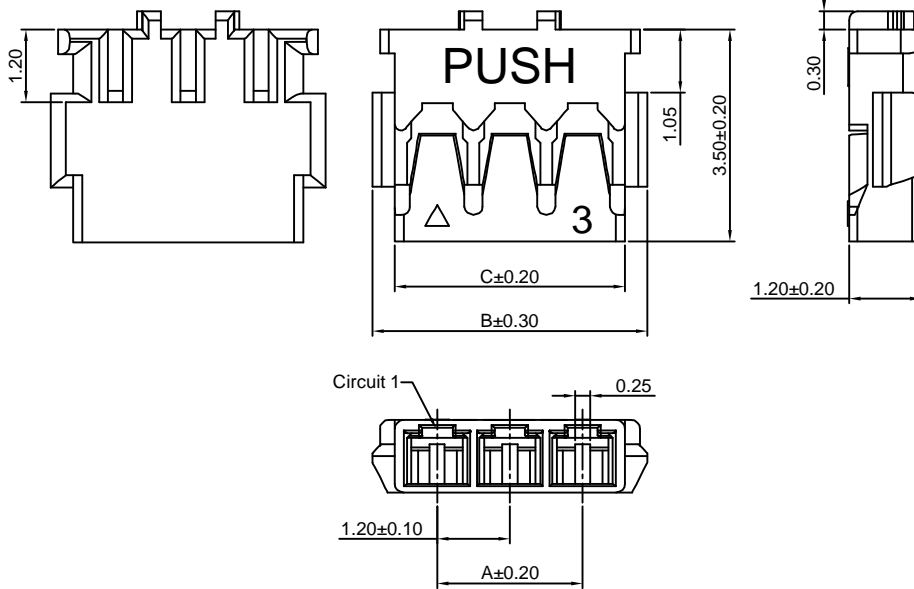
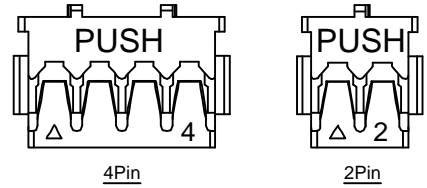
1.20mm pitch Housing

**Reference Informations:**

- \*Material: Nylon 66, UL94V-0
- \*Suitable CJT A1201-T-A series Terminal
- \*Mates with CJT A1201WRA-S-XP series Wafer
- \*Color: White

**Ordering Information:**

- A1201HA-XP - <sup>1</sup> - <sup>2</sup> - <sup>3</sup> - <sup>\*\*\*</sup>
1. Part No.
  2. Color:  
(blank): White  
BK: Black
  3. Material:  
(Blank): Nylon 66, UL94V-0  
GWT: Nylon 66, UL94V-0, GWT 750 °C



**Ordering Information & Dimensions:**

PART NO.	Dimensions		
	A	B	C
2P	1.20	3.35	2.60
3P	2.40	4.55	3.80
4P	3.60	5.75	5.00
5P	4.80	6.95	6.20
6P	6.00	8.15	7.40
7P	7.20	9.35	8.60
8P	8.40	10.55	9.80
9P	9.60	11.75	11.00
10P	10.80	12.95	12.20

Unit: mm

### A1201HB-XP

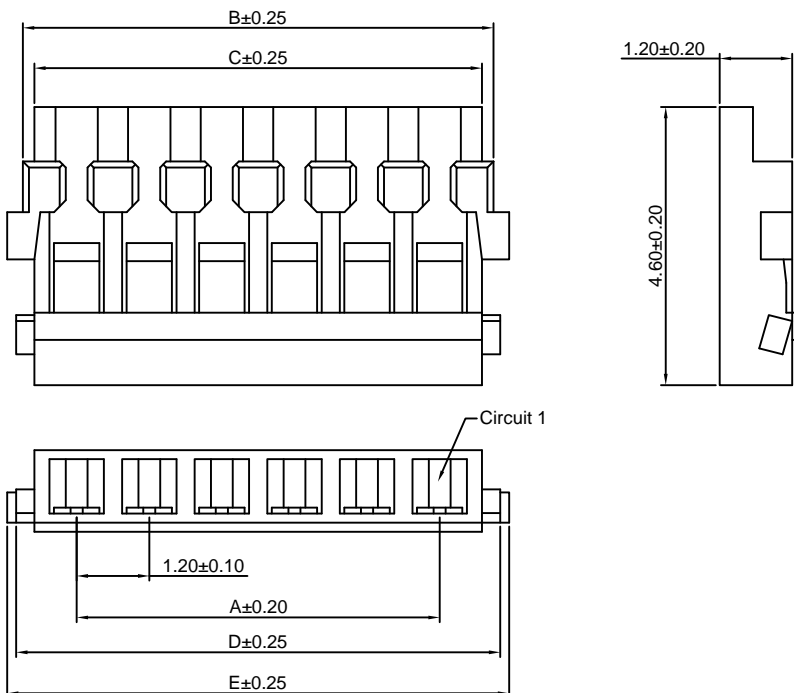
1.20mm pitch Housing

**Reference Informations:**

- \*Material: PBT, UL94V-0
- \*Suitable CJT A1201-T-B series Terminal
- \*Color: Natural

**Ordering Information:**

- A1201HB-XP - <sup>1</sup> - <sup>2</sup> - <sup>\*\*\*</sup>
1. Part No.
  2. Material:  
(Blank): PBT, UL94V-0  
GWT: PBT, UL94V-0, GWT 750 °C



**Ordering Information & Dimensions:**

PART NO.	Dimensions				
	A	B	C	D	E
2P	1.20	2.98	2.60	3.20	3.50
3P	2.40	4.18	3.80	4.40	4.70
4P	3.60	5.38	5.00	5.60	5.90
5P	4.80	6.58	6.20	6.80	7.10
6P	6.00	7.78	7.40	8.00	8.30

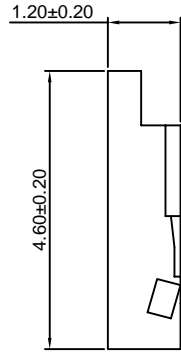
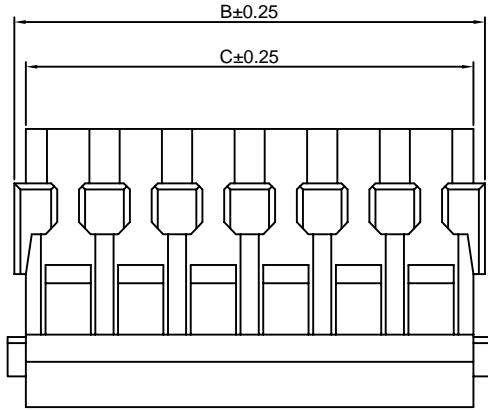
Unit: mm

### A1201HC-XP

1.20mm pitch Housing

**Reference Informations:**

- \*Material:PBT,UL94V-0
- \*Suitable CJT A1201-T-B series Terminal
- \*Color:Natural



**Ordering Information:**

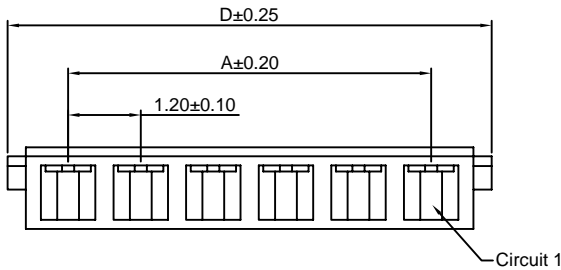
A1201HC-XP - \*\*\*  
1 2

1.Part No.

2.Material:

(Blank):PBT,UL94V-0

GWT:PBT,UL94V-0,GWT 750 °C



**Ordering Information & Dimensions:**

PART NO.	Dimensions			
	A	B	C	D
2P	1.20	2.98	2.60	3.20
3P	2.40	4.18	3.80	4.40
4P	3.60	5.38	5.00	5.60
5P	4.80	6.58	6.20	6.80
6P	6.00	7.78	7.40	8.00

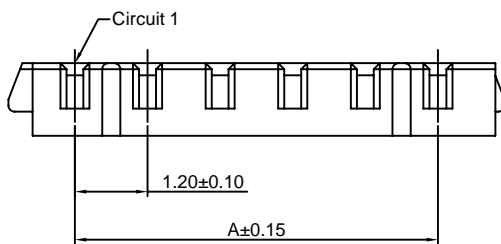
Unit: mm

### A1201HD-XP

1.20mm pitch Housing

**Reference Informations:**

- \*Material:PBT,UL94V-0
- \*Suitable CJT A1201-T-D series Terminal
- \*Mates with CJT A1201WRD-S-XP series Wafer
- \*Color:Gray



**Ordering Information:**

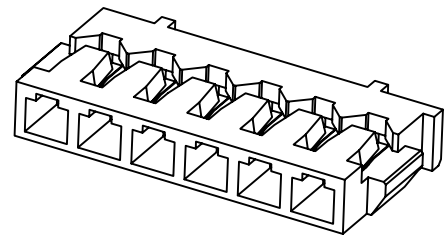
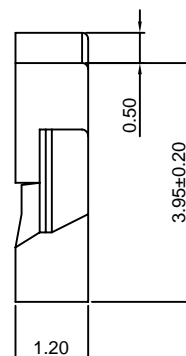
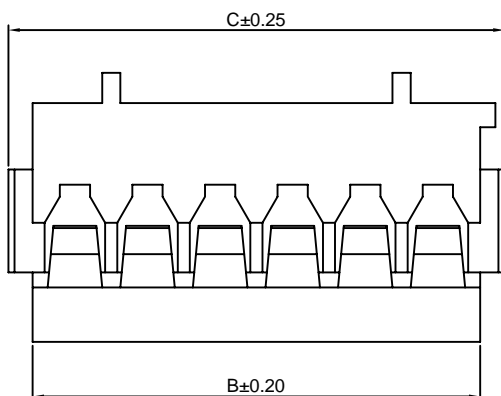
A1201HD-XP - \*\*\*  
1 2

1.Part No.

2.Material:

(Blank):PBT,UL94V-0

GWT:PBT,UL94V-0,GWT 750 °C



**Ordering Information & Dimensions:**

PART NO.	Dimensions		
	A	B	C
2P	1.20	2.60	3.40
3P	2.40	3.80	4.60
4P	3.60	5.00	5.80
5P	4.80	6.20	7.00
6P	6.00	7.40	8.20

Unit: mm

### A1201WR-S-XP

1.20mm pitch 90° Wafer - SMT TYPE

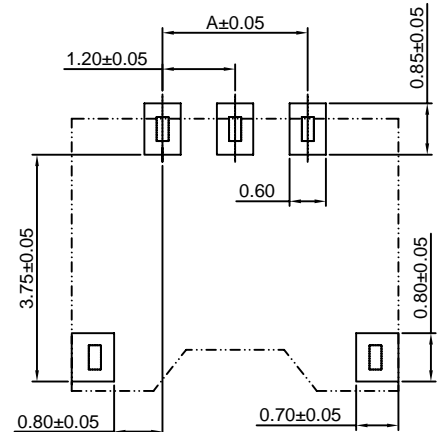
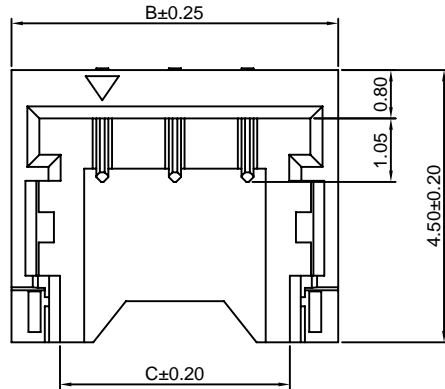
#### Reference Informations:

- \*Material: Pin: Phosphor Bronze/Gold over Nickel  
Insulator: Nylon 6T, UL94V-0  
Solder Tab: Phosphor Bronze/Tin over Nickel
- \*Mates with CJT A1201H-XP series Housing
- \*Color: Black

#### Ordering Information:

A1201WR-S-XP - \*\* - \*\*\*  
1 2 3

1. Part No.
2. Color:  
(blank): Black  
IV: Ivory
3. Material:  
(Blank): Nylon 6T, UL94V-0  
GWT: Nylon 6T, UL94V-0, GWT 750 °C

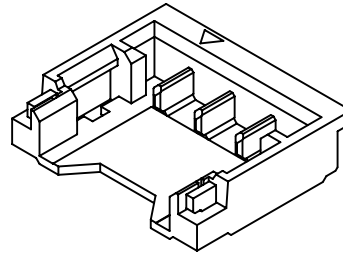
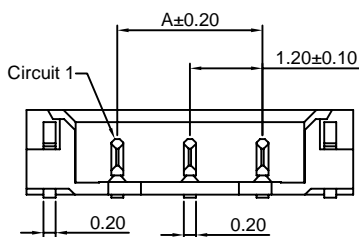


P.C.B LAYOUT

#### Ordering Information & Dimensions:

PART NO.	Dimensions		
	A	B	C
2P	1.20	4.20	2.60
3P	2.40	5.40	3.80
4P	3.60	6.60	5.00
5P	4.80	7.80	6.20
6P	6.00	9.00	7.40
7P	7.20	10.20	8.60
8P	8.40	11.40	9.80
9P	9.60	12.60	11.00
10P	10.80	13.80	12.20

Unit: mm

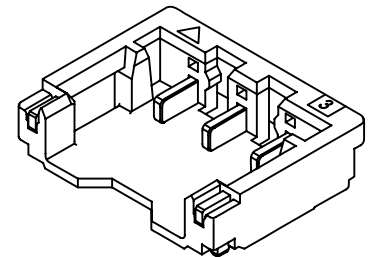
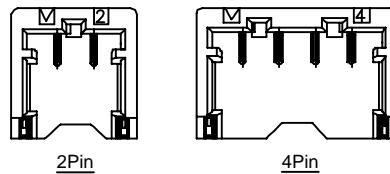


### A1201WRA-S-XP

1.20mm pitch 90° Wafer - SMT TYPE

#### Reference Informations:

- \*Material: Pin: Phosphor Bronze/Gold over Nickel  
Insulator: Nylon 6T, UL94V-0  
Solder Tab: Phosphor Bronze/Tin over Nickel
- \*Mates with CJT A1201HA-XP series Housing
- \*Color: Ivory



#### Ordering Information:

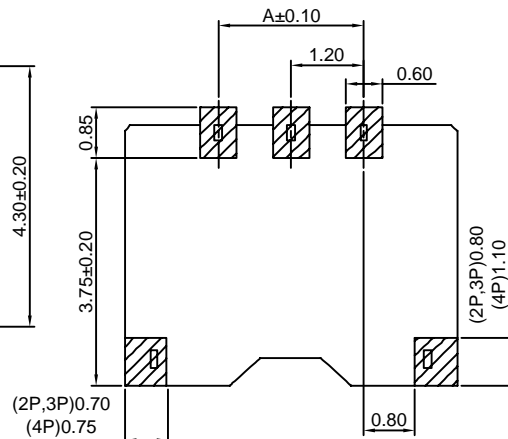
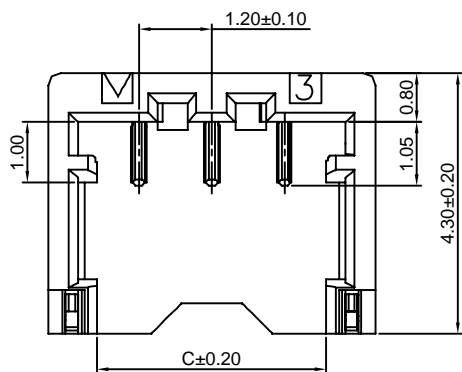
A1201WRA-S-XP - \*\*\* - \*\*  
1 2 3

1. Part No.
2. Material:  
(Blank): Nylon 6T, UL94V-0  
GWT: Nylon 6T, UL94V-0, GWT 750 °C
3. Color:  
(blank): Ivory  
BK: Black

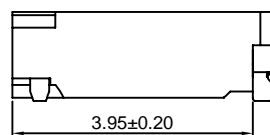
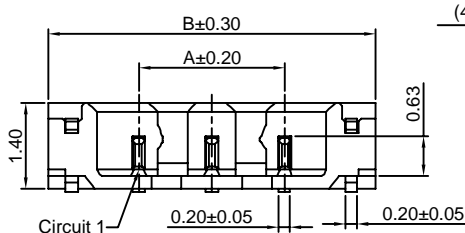
#### Ordering Information & Dimensions:

PART NO.	Dimensions		
	A	B	C
2P	1.20	4.20	2.60
3P	2.40	5.40	3.80
4P	3.60	6.60	5.00
5P	4.80	7.80	6.20
6P	6.00	9.00	7.40
7P	7.20	10.20	8.60
8P	8.40	11.40	9.80
9P	9.60	12.60	11.00
10P	10.80	13.80	12.20

Unit: mm



P.C.B LAYOUT



### A1201WRD-S-XP

1.20mm pitch 90° Wafer - SMT TYPE

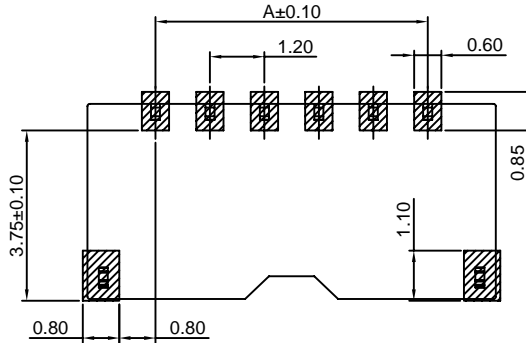
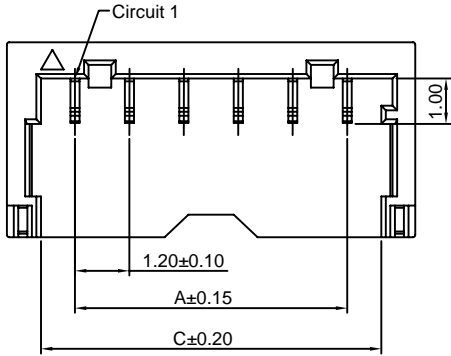
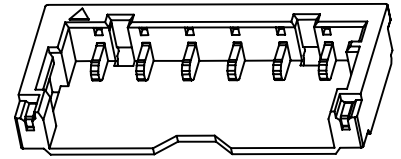
**Reference Informations:**

- \*Material: Pin: Phosphor Bronze/Tin over Nickel  
Insulator: Nylon9T, UL94V-0  
Solder Tab: Phosphor Bronze/Tin over Nickel
- \*Mates with CJT A1201HD-XP series Housing
- \*Color: Natural

**Ordering Information:**

A1201WRD-S-XP - \*\*\* - \*\*  
1                    2                    3

- 1. Part No.
- 2. Material:  
(Blank): Nylon 9T, UL94V-0  
GWT: Nylon 9T, UL94V-0, GWT 750 °C
- 3. Finish:  
(Blank): Tin over Nickel  
G: Gold over Nickel



RECOMMENDED PCB LAYOUT  
GENERAL TOLERANCE ±0.05

**Ordering Information & Dimensions:**

PART NO.	Dimensions		
	A	B	C
2P	1.20	4.20	2.70
3P	2.40	5.40	3.90
4P	3.60	6.60	5.10
5P	4.80	7.80	6.30
6P	6.00	9.00	7.50
7P	7.20	10.20	8.70
8P	8.40	11.40	9.90

Unit: mm

