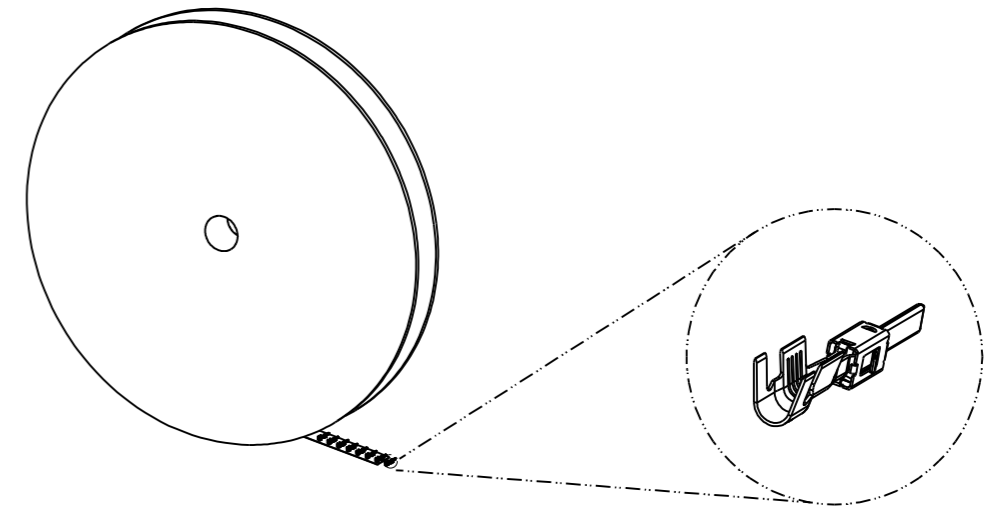
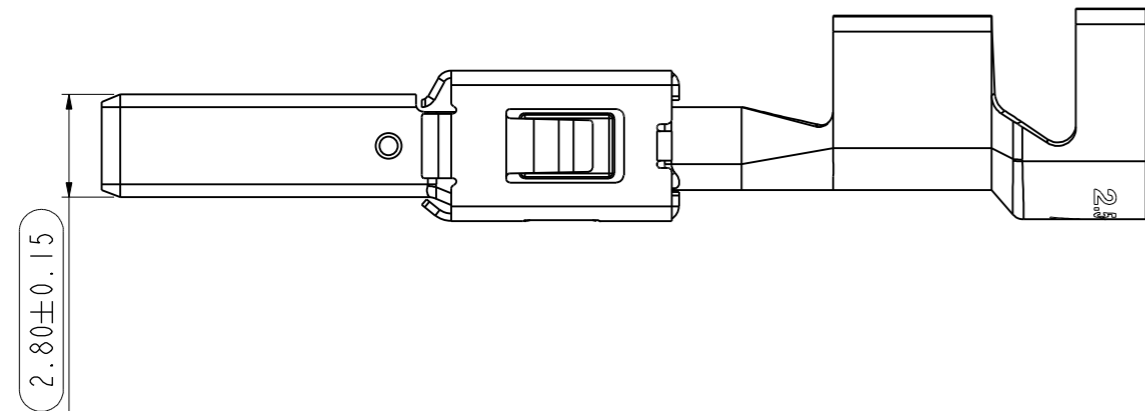
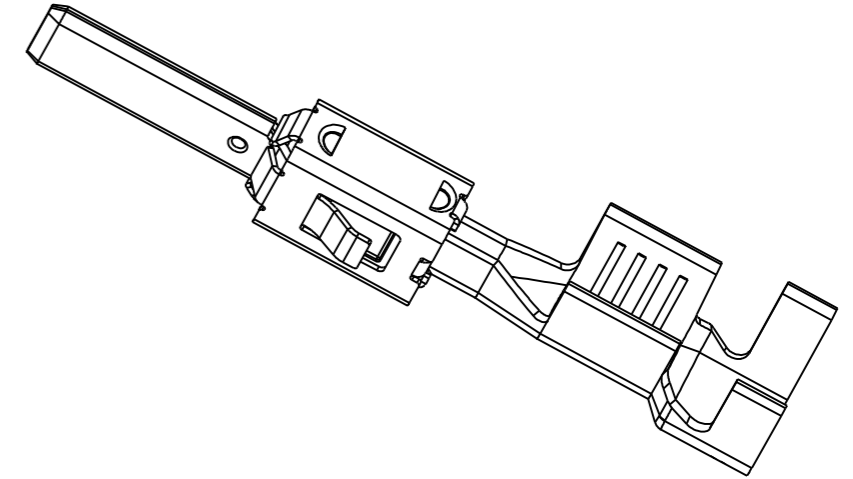
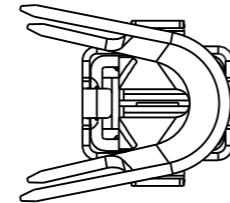
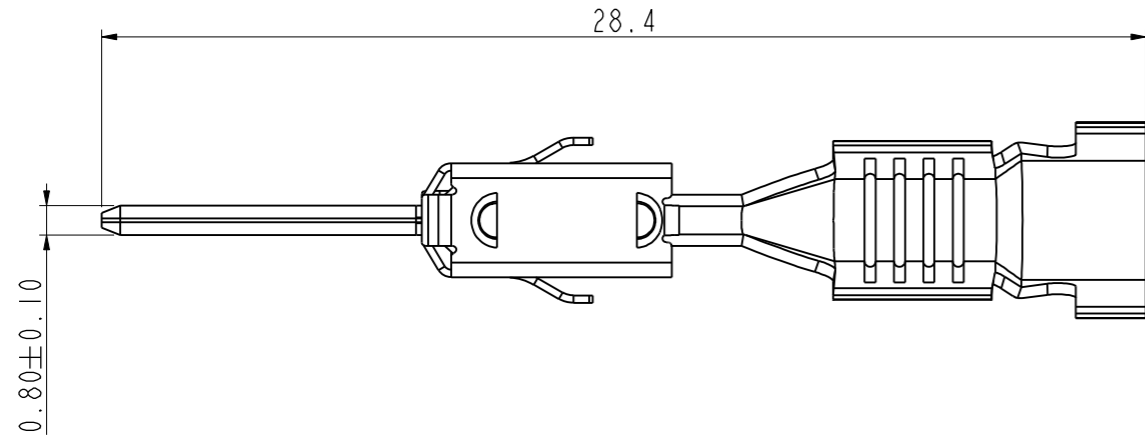


REV	ECN	DESCRIPTION	DATE	MODIFIED
B		UPDATE	2018.06.18	ROY.QU

Amphenol PCDSZ  
ORIGINAL  
PDF Format  
R&D



**TECHNICAL FEATURES**

- 1. MATERIAL:**  
CONTACT: COPPER ALLOY  
TOP SPRING: STAINLESS
- 2. CONTACT FINISH: TIN PLATED**
- 3. WIRE SIZE RANGE: 2.5~4.0 MM<sup>2</sup>**
- 4. CURRENT CARRYING CAPACITY:**  
UP TO 40 AMPERE (AT 20° C AMBIENT TEMPERATURE)
- 5. MATING FORCE: 8N MAX**
- 6. CONTACT RESISTANCE: NEW STATE < 2mΩ**
- 7. TAPE REEL PACKING**

<b>DIMENSIONS</b> ANSI Y14.5M UNITS: MM Pro/E FILE	<b>TOLERANCES</b> .X ±0.1 .XX ±0.01 ANGLES ±0.5°	<b>PROJECTION</b> 	<b>TITLE</b> Amphenol Pcd Shenzhen 2.8MM MALE PIN	
			ENGR ROY.QU 2018.06.18	SIZE A3
ORIGINAL	THIS DOCUMENT CONTAINS PROPRIETARY INFORMATION WHICH IS THE CONFIDENTIAL PROPERTY OF AMPHENOL PCD SHENZHEN		CHKD Derek	DWG NO. C-C3100036115
			APPD [Signature]	REV B
		CODE: 58982	SCALE: 2:1	SHEET 1 OF 1

C-C3100036115

C-C3100036115