

**GT-TC095A-H0385-L01**

**G-SWITCH**

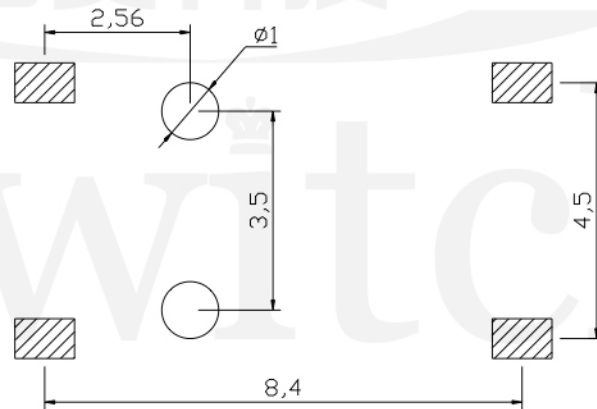
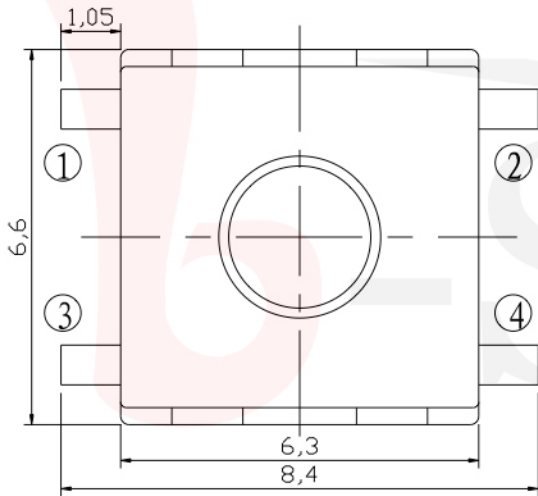
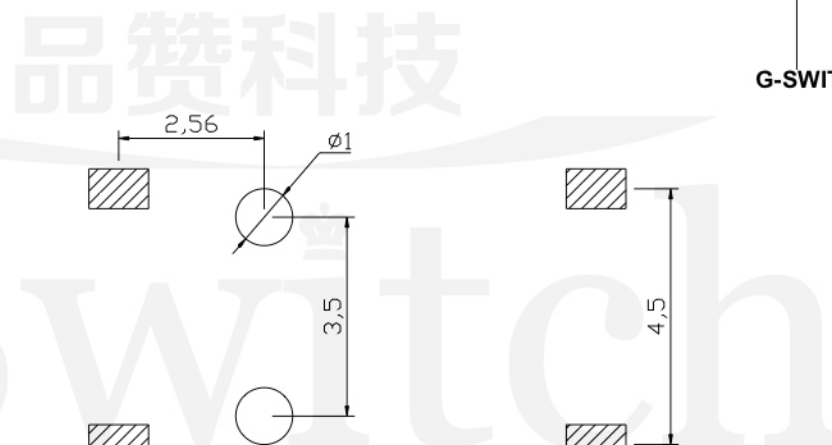
**Operating Force**  
A=1st100 2st250gf

**Switch Height (mm)**  
H0385=3.85mm

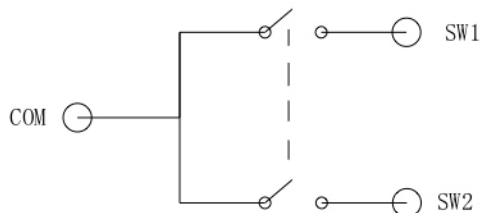
**Switch lifetime (Force)**  
L01=10,000 Cycles

**G-Switch Specification:**

Operating temperature range: -30°C to +85°C  
 Rating: 50mA.12V DC  
 Insulation resistance: 100MΩ min.100V DC  
 Dielectric strength: 250V AC for 1 min  
 Contact resistance: 100m Ω max.  
 Travel: 1st0.3 2st0.55±0.1



P.C.B LAND DIMENSION



电路图



**G-Switch Electronic (HongKong) CO.,Ltd.**

Unless otherwise specified, Tolerance:  
 X. ±0.30  
 X.x ±0.20  
 X.xx ±0.15  
 X.xxx ±0.10  
 Angles ±3°

DESIGN	陈锋枫	DATE	2019.05.29
CHECKED		DATE	
APPROVED		DATE	
<a href="http://www.dg-switch.com">http://www.dg-switch.com</a>			
TEL: 0769-82388879			

Molde code:		
GT-TC095A-H0385-L01		
REV.: X1	SCALE: 4:1	UNIT: mm
SIZE: A4	SHEET: 1/1	