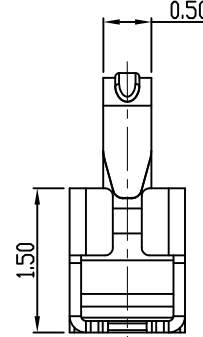
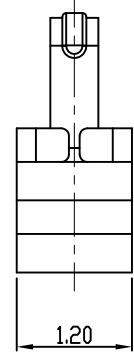
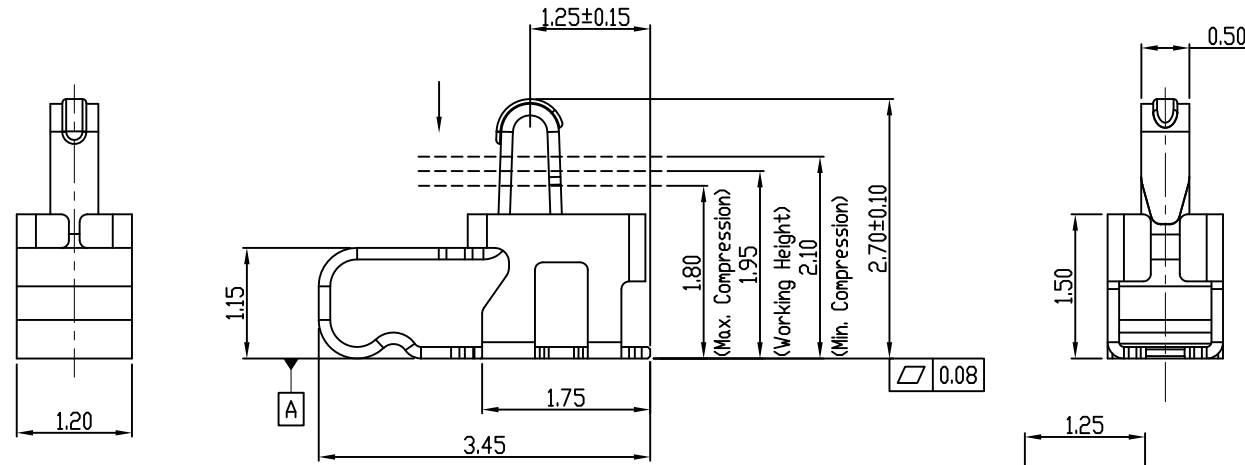
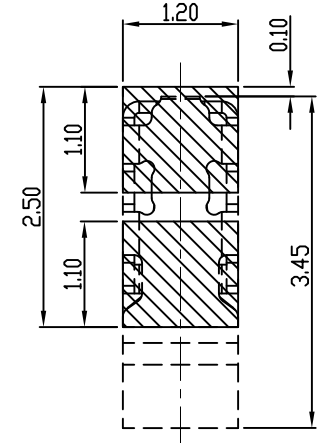
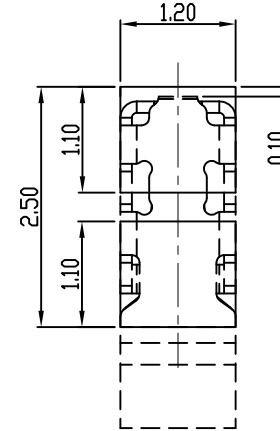
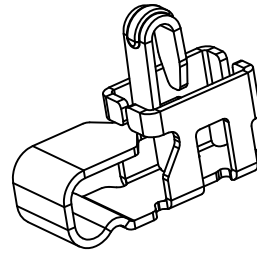
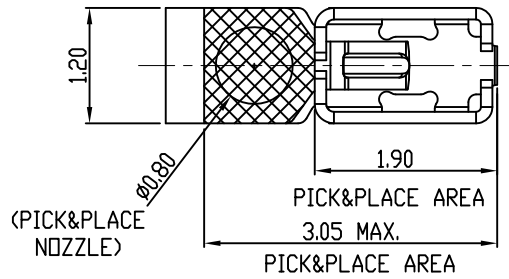


Rev.	ECN Number	Description	Date	Drawn	Checkd	Approved
A	ECN120995	NEW RELEASE	08/06'12	STAR HU	SAM	SAM
B	ECN140274	PCB LAYOUT CHANGE	04/03'14	Y.C.H		



METAL MASK
 TOLERANCE ±0.05MM

RECOMMENDED PCB LAYOUT
 TOLERANCE ±0.05MM



NOTES:

1:MATERIAL:

1-1: C17200,T=0.12mm.

2:FINISH:

2-1: 4u" MIN. Au PLATING ON CONTACT AREA,
 2u" MIN. Au PLATING ON SOLDER AREA,
 60~150u" NICKEL UNDERPLATING OVER ALL.

3:SPECIFICATIONS:

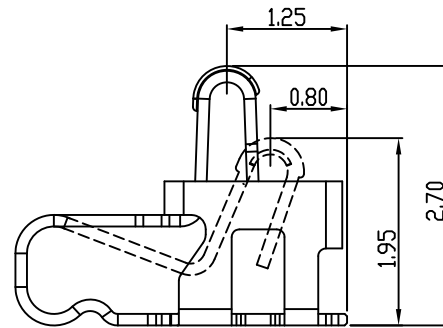
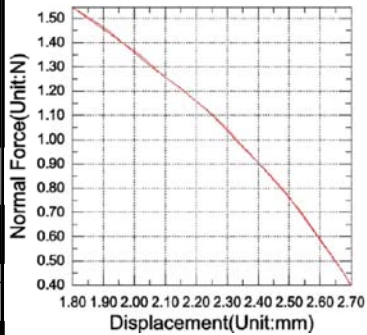
3-1.CONTACT RESISTANCE:50mΩ MAX.
 3-2.OPERATING TEMPERATURE: -20℃~+65℃.
 3-3.PRE-LOAD FORCE:0.35N ON CONTACT POINT.
 3-4.FORCE OF 1.80~2.10MM:1.20N MIN. ON CONTACT POINT.
 3-5.MAX.BEAM DEFLECTION:0.90mm. ON CONTACT POINT.

4:RF PERFORMANCE:

4-1.IMPEDANCE:50ΩHM.
 4-2.VSWR: 1.5MAX.(DC~3GHz)
 4-3.INSERTION LOSS: 0.6dBMAX.(DC~3GHz)

5:DURABILITY: 1000 CYCLES.

6.PACKING SPECIFICATION:REEL&TAPE



State at
 working height 1.80mm



ELECTRIC
 CONNECTOR
 TECHNOLOGY

GENERAL TOLERANCE	
XX. ±0.50	
X. ±0.35	X° ±2.0°
.X ±0.25	.X° ±1.0°
.XX ±0.15	.XX° ±0.5°

SCALE:	1:1
UNIT:	mm
SIZE:	A4

DRAWN	STAR HU
CHECK	
APPROVE	

DATE	08/06'12
DATE	
DATE	

DWG. NO.	600-1104-01
PARTS NO.(INTENDED USE)	818001104

TITLE	(CUSTOMER DRAWING)
	Antenna RF Spring,SMT, Au Plating,L3.45*W1.2*H2.7mm

REV.	B
SHEET	1/1