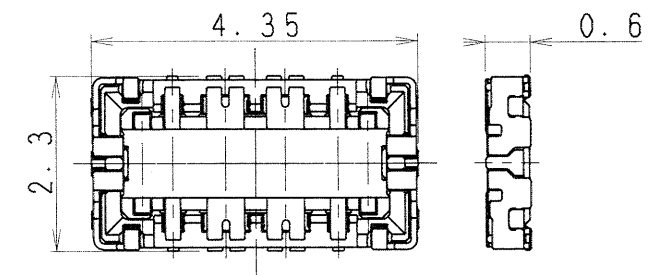
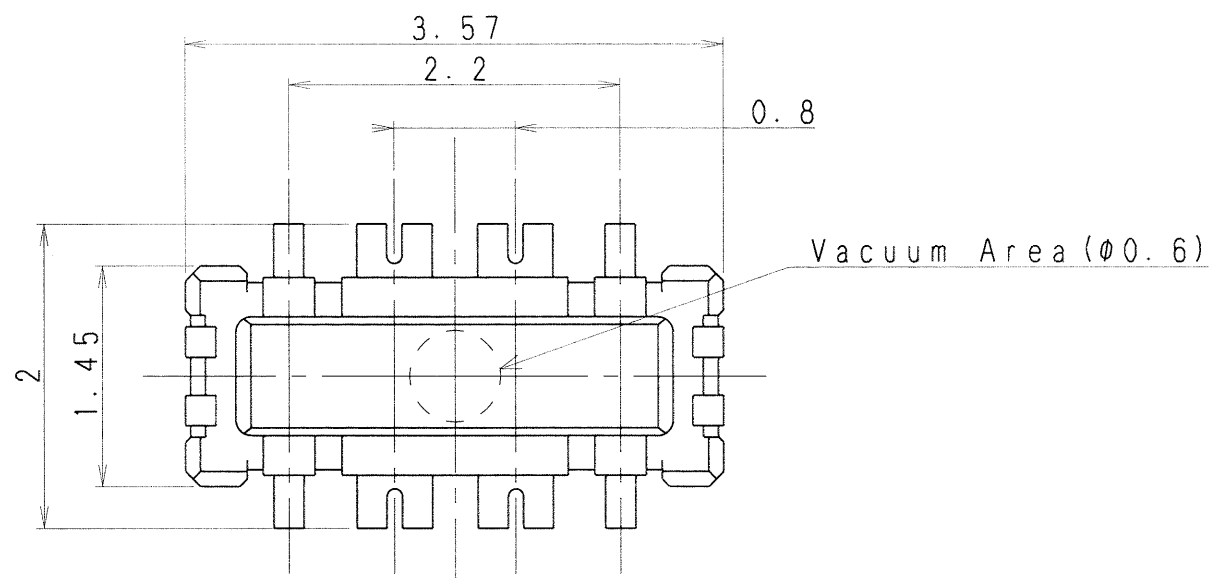
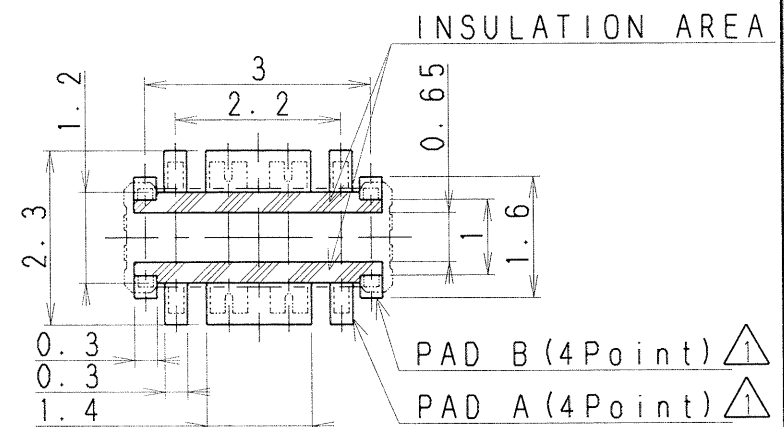
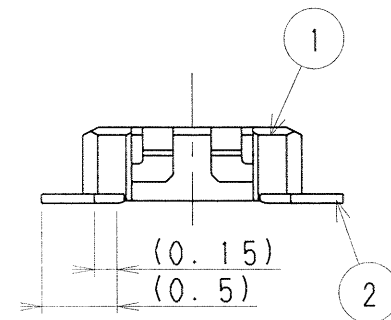
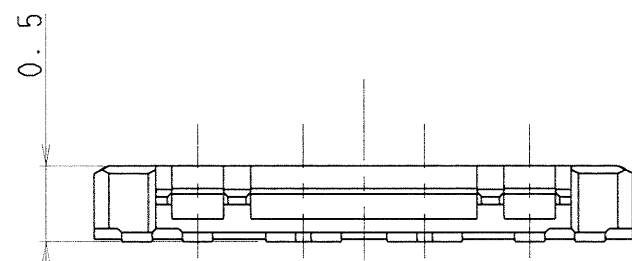


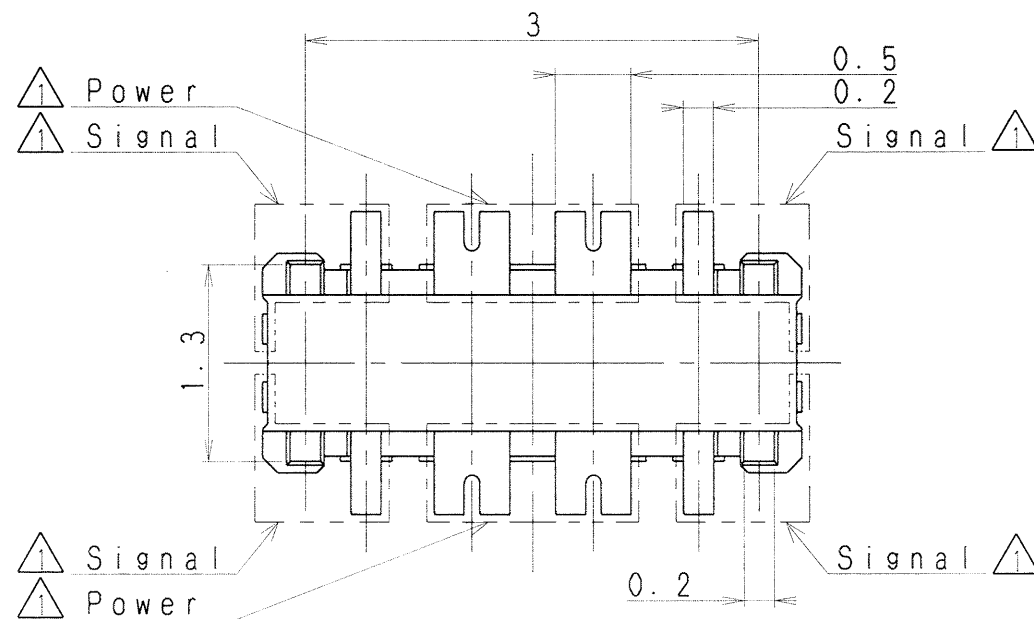
MARK 記号	REVISION 来歴	DATE 年月日	SIGN 担当	APP. 承認
△x9	Add Pin No and NOTE. 5	16. 3/11	Y. Ishida	



MATING STYLE (S=10:1)



P. C. BOARD LAYOUT (S=10:1)
Tolerance: ±0.03



NOTE
 1. SPEC: CPBA206B0101F
 2. PACKAGE: CPBA306N0101F
 3. COPLANARITY: 0.08MAX
 4. GENERAL TOLERANCE: ±0.1
 5. PAD A and B is common parts PAD.
 Please do not place the PAD B as the GND.

2	415CPB-170-ZZF	CONTACT	Cu ALLOY t=0.06	AuPLATE	6	
1	101CPB-199-06F	HOUSING	LCP	BLACK	1	
ITEM 部番	PART NO. 番	NAME 名称	MATERIAL 材質	FINISH 処	Q'TY 理員数	NOTE 備考
UNIT 単位	mm	SCALE 尺度	20:1		DESCRIPTION 名称	H=0.6mm L=4.35mm W=2.3mm F-B CN
APPROVED 承認	CHECKED 検	TRACED 写	DESIGNED 設計	463B PLUG		
Mar11'16 F. S. Toli			Mar11'16 Y. Ishida	DRAWING NO. 番		
CPBA306-0101F						