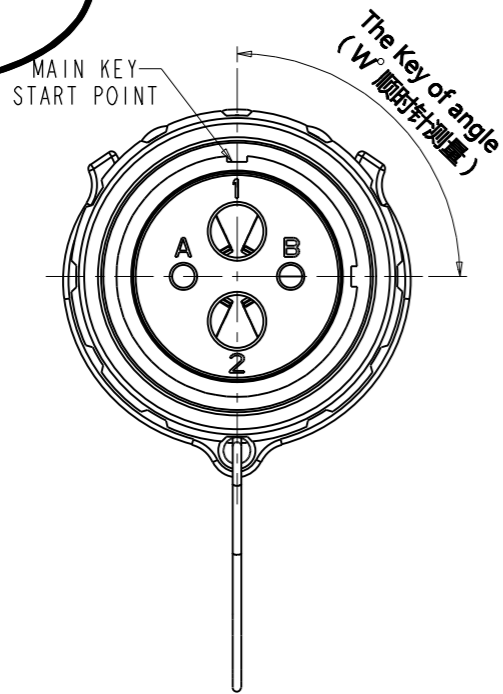
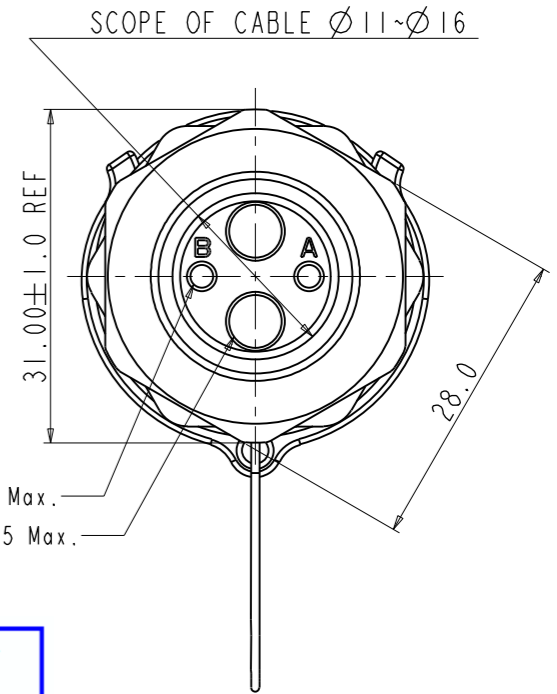
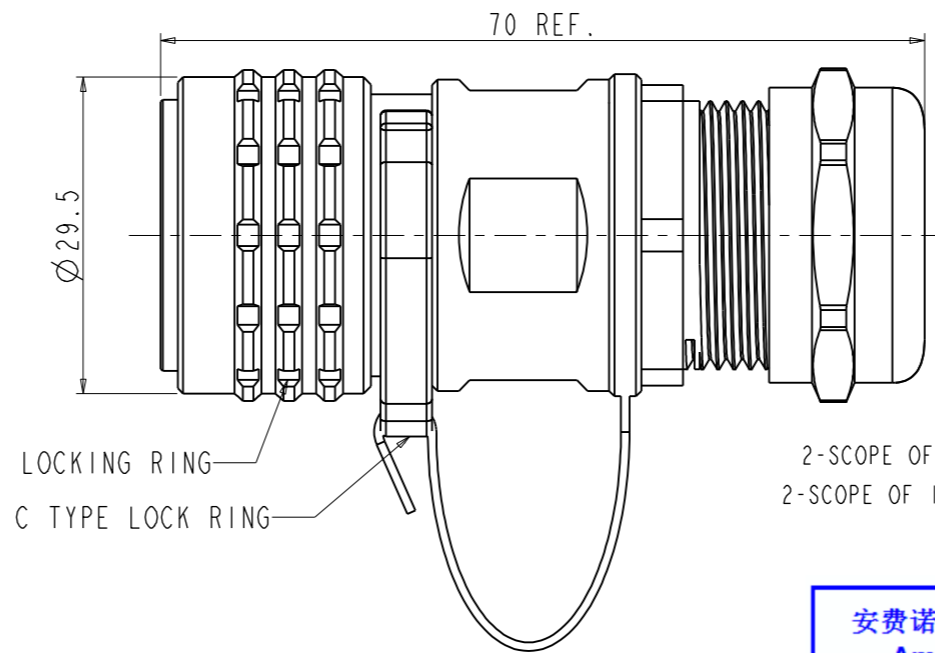


Amphenol PCDSZ
ORIGINAL
PDF Format
R&D



A, B HOLES FOR $\phi 1.0$ INTERLOCK PIN
1-2 HOLES FOR $\phi 3.0$ POWER PIN



2-SCOPE OF INTERLOCK CABLE OD $\phi 2.5$ Max.
2-SCOPE OF INNER SINGLE CABLE OD $\phi 4.5$ Max.

安费诺精密连接器(深圳)有限公司
Amphenol PCD Shenzhen

受控文件

2018年2月5日

NOTES:

1. FINISHED PRODUCT DOES HAVE NOT THE PIN, NEED TO BUY SEPARATE.
2. THE POWER PIN P/N FOR 4MM² CABLE: HVG30M4, USE LEVEL: 2PCS
THE POWER PIN P/N FOR 2.5MM² CABLE: HVG30M2, USE LEVEL: 2PCS
3. THE INTERLOCK PIN P/N: HVG20M1, USE LEVEL: 2PCS
4. WIHT C TYPE LOCK RING AND DUST CAP.
5. TORQUE: 5~8N*M
6. THE SCOPE OF CABLE OD= $\phi 11$ ~ $\phi 16$
7. TECHNICAL DATA TABLE

CURRENT RATE (4mm ² CABLE)	32A @ AMBIENT 70° C	+
CURRENT RATE (2.5mm ² CABLE)	23A @ AMBIENT 70° C	+
UL RATING VOLTAGE (OVERVOLTAGE CATEGORY II POLLUTION DEGREE 2)	800V DC	+
OPERATING TEMPERATURE	-40~125° C	
DIELECTRIC WITH STANDING VOLTAGE	3000V AC	+
INSULATION RESISTANCE	2000M Ω MIN. 25° C, NO CABLE	+
DURABILITY	500 CYCLES	○
SHIELDING	YES	○
WATERPROF (MATED CONDITION)	IP 67	+
AMBIENT TEMPERATURE	-40~70° C	
TECHNICAL DESCRIPTION	TECHNICAL DATA	FEATURE

8. PART NUMBER DESCRIPTION:

HVG1P402MC XX

② KEY OF CODING OPTION

- XR: KEY X & RED($w^\circ = 270^\circ$)
- YY: KEY Y & YELLOW($w^\circ = 315^\circ$)
- ZB: KEY Z & BLUE($w^\circ = 90^\circ$)
- WG: KEY W & GREEN($w^\circ = 45^\circ$)
- NO CODE: NO KEY & BLACK($w^\circ = 0^\circ$)
- X : KEY X & BLACK($w^\circ = 270^\circ$)
- Y : KEY Y & BLACK($w^\circ = 315^\circ$)
- Z : KEY Z & BLACK($w^\circ = 90^\circ$)
- W : KEY W & BLACK($w^\circ = 45^\circ$)
- XB: KEY X & BLUE($w^\circ = 270^\circ$)
- YB: KEY Y & BLUE($w^\circ = 315^\circ$)
- ZR: KEY Z & RED($w^\circ = 90^\circ$)

ANGLE CODE	ANGLE OF KEY(w°)	COLOR CODE	COLOR OF LOCKING RING	P/N(FOR EXAMPLE)
NO CODE	0°	NO CODE	BLACK	HVG1P402MC
X	270°	R	RED	HVG1P402MC X R
Y	315°	Y	YELLOW	HVG1P402MC Y Y
Z	90°	B	BLUE	HVG1P402MC Z B
W	45°	G	GREEN	HVG1P402MC W G
X	270°	NO CODE	BLACK	HVG1P402MC X
Y	315°			HVG1P402MC Y
Z	90°			HVG1P402MC Z
W	45°			HVG1P402MC W
X	270°	B	BLUE	HVG1P402MC X B
Y	315°			HVG1P402MC Y B
Z	90°	R	RED	HVG1P402MC Z R

9. SCOPE OF INNER SINGLE CABLE OUTSIDE DIAMETER :

2.5 & 4.0 mm² OD 4.5 Max.
INTERLOCK CABLE OD 2.5 Max.(0.5~0.75mm² CABLE)

DIMENSIONS ANSI Y14.5M UNITS: MM Pro/E FILE	TOLERANCES .X ± 0.5 .XX ± 0.05 ANGLES $\pm 0.5^\circ$	PROJECTION 	Amphenol Pcd Shenzhen		TITLE TWO CORE PLUG ASSEMBLY WITH INTERLOCK			
			ENGR Jophy.Li	2018.01.31	SIZE A3	DWG NO. C-HVGIP402MCXX	REV 2	
ORIGINAL NOT FOR CUSTOMER DISTRIBUTION	THIS DOCUMENT CONTAINS PROPRIETARY INFORMATION WHICH IS THE CONFIDENTIAL PROPERTY OF AMPHENOL PCD SHENZHEN			CHKD	APPD 	CODE: 58982	SCALE: 3:2	SHEET 1 OF 1

C-HVGIP402MCXX

C-HVGIP402MCXX