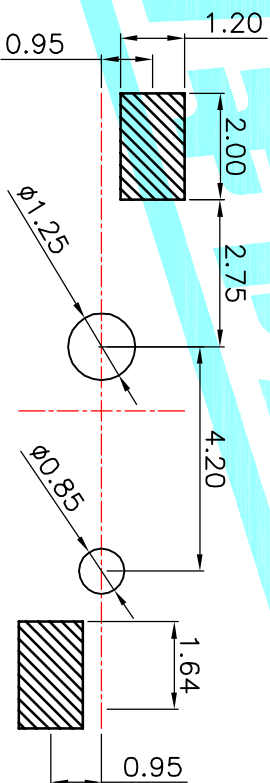
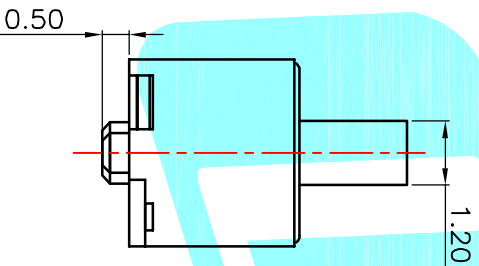
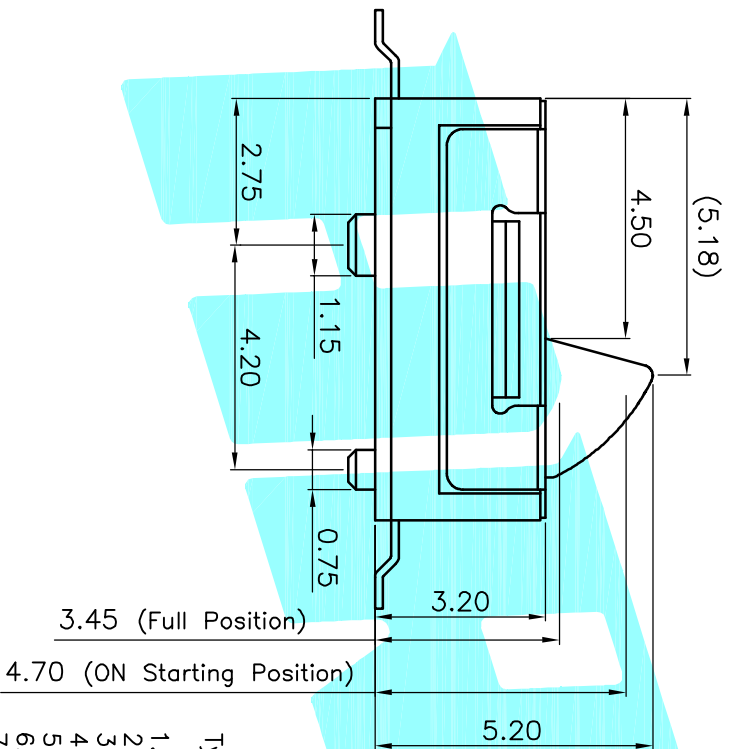
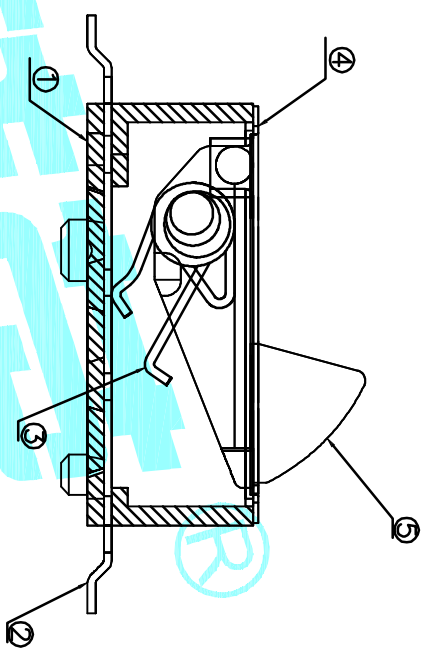


Circuit Diagram



PCB Layout(Pattern side)

Typical Specifications

1. Rating : DC 12V 50mA
2. Contact Resistance: $\leq 100m\Omega$
3. Insulation Resistance: $\geq 100m\Omega$ DC500V
4. Operating Temperature Range: $-25^{\circ}C + 80^{\circ}C$
5. Ambient Humidity Used: $\leq 85\%RH$
6. Operating Force : $30gf \pm 20gf$,
7. Life : 100,000 Cycles

ITEM	PART NAME	TER'NO.	QTY.	MATERIAL	FINISHING	REMARK
⑤	Knob	—	1	NYLON	Black	—
④	Cover	—	1	SUS	Ct	—
③	Contact Spring	—	1	Phosphor Bronze	Ag Plated	—
②	Terminal	—	4	Phosphor Bronze	Ag Plated	—
①	Base	—	1	LCP	Black	—

APPROVALS		DATE	TITLE:	
DRAWN	JKUN.LLU	2015.03.17	ELECTRONICS CO.,LTD	

ECN NO.	REV.	DATE.	DESCRIPTION.	CHANGE.	CHECK.	APPRO.
	A		NEW			

APPROVALS		TITLE:		PART NO.		SCALE:		PROJ.	
CHECKED		DETECTOR SWITCHS		K5-1216SA-01		1:1		PROJ.	
TOLERANCES ARE		30 μ m以上	±0.30	ANGLE				SHEET 1 OF 1	
		10~30	±0.20						
		5~10	±0.15	±Z					
		~5	±0.10						