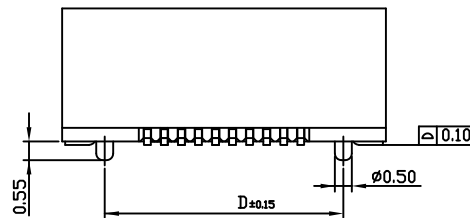
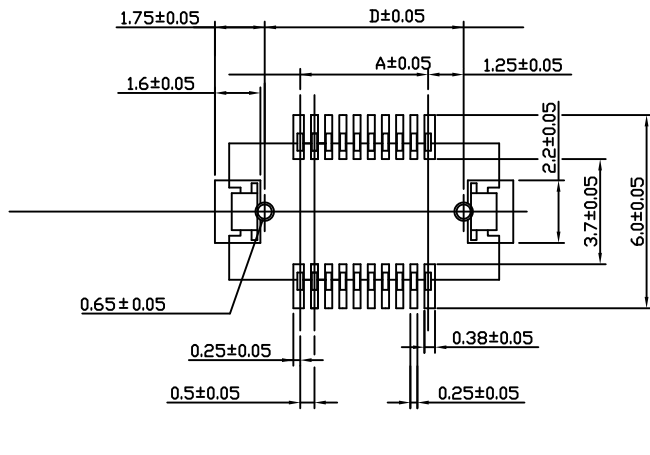


DIM.A = 0.50 * No. of Spaces
 DIM.B = DIM.A + 5.0
 DIM.C = DIM.A + 2.0
 DIM.D = DIM.A + 2.5
 * Available in 10 through 80 circuits



X1015 W F-XX X-X

- ① ② ③ ④ ⑤ ⑥

- ① Series No.
- ② Category: W-Wafer
- ③ Weding Board Angle: F-Female
- ④ No. of Circuits
- ⑤ Special No: S-With Positioning Column
- ⑥ Height:
 - A: Dim.E= 2.0mm B: Dim.E= 2.5mm F:Dim.E=4.5mm
 - C: Dim.E= 3.0mm E: Dim.E= 4.0mm

					ANGLAR	±5°	DSND		DATE		SCALE: N/A	MODEL TYPE: BTB CONNECTOR		
					L ≤ 4	±0.2	DWN		DATE		VIEW:	PART NO.:		
					4 < L ≤ 16	±0.3	CHKD		DATE		UNIT: mm	DWG NO.:		
					16 < L ≤ 63	±0.4	APPD		DATE		SIZE: A4	X1015WF-XXX-X		
					L > 63	±0.5						WEIGHT	SHEET	REVISION
					UNSPECIFIED TOLERANCES		XKB INDUSTRIAL PRECISION CO., LIMITED					1.0g	1/1	A0
MARK	DESCRIPTION	DATE	REVISED	APPROVED										
REVISIONS														
www.xk-dg.cn www.helloxkb.com www.helloxkb.cn														