

Features

- Uses CRM(CQ) advanced SkyMOS1 technology
- Extremely low on-resistance $R_{DS(on)}$
- Excellent $Q_g \times R_{DS(on)}$ product(FOM)
- Qualified according to JEDEC criteria

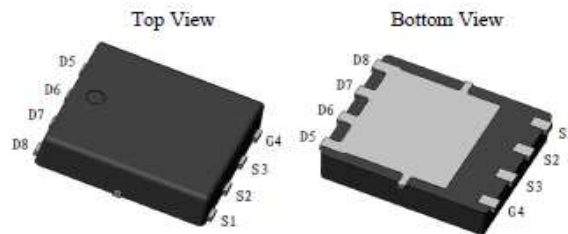
Applications

- Motor control and drive
- Battery management
- UPS (Uninterruptible Power Supplies)

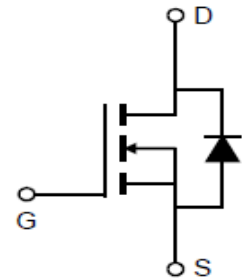
Product Summary

V_{DS}	85V
$R_{DS(on)}$	4.7mΩ
I_D	60A

100% Avalanche Tested



CRSM053N08N


Package Marking and Ordering Information

Part #	Marking	Package	Packing	Reel Size	Tape Width	Qty
CRSM053N08N	-	DFN5X6	Tape&Reel	N/A	N/A	5000pcs

Absolute Maximum Ratings

Parameter	Symbol	Value	Unit
Drain-source voltage	V_{DS}	85	V
Continuous drain current $T_C = 25^\circ\text{C}$ (Silicon limit) $T_C = 25^\circ\text{C}$ (Package limit) $T_C = 100^\circ\text{C}$ (Silicon limit)	I_D	90 60 57	A
Pulsed drain current ($T_C = 25^\circ\text{C}$, t_p limited by T_{jmax})	$I_{D\ pulse}$	240	A
Avalanche energy, single pulse ($L=0.3\text{mH}$, $R_g=25\Omega$) ^[1]	E_{AS}	126	mJ
Gate-Source voltage	V_{GS}	± 20	V
Power dissipation ($T_C = 25^\circ\text{C}$)	P_{tot}	79	W
Operating junction and storage temperature	T_j, T_{stg}	-55...+150	$^\circ\text{C}$

Notes:1.EAS was tested at $T_j = 25^\circ\text{C}$, $I_D = 29\text{A}$.

Thermal Resistance

Parameter	Symbol	Max	Unit
Thermal resistance, junction – case.	R_{thJC}	1.58	°C/W
Thermal resistance, junction – ambient(min. footprint)	R_{thJA}	47	

Electrical Characteristic (at $T_j = 25\text{ }^\circ\text{C}$, unless otherwise specified)

Parameter	Symbol	Value			Unit	Test Condition
		min.	typ.	max.		

Static Characteristic

Drain-source breakdown voltage	BV_{DSS}	85	97	-	V	$V_{GS}=0V, I_D=250\mu A$
Gate threshold voltage	$V_{GS(th)}$	2	3	4	V	$V_{DS}=V_{GS}, I_D=250\mu A$
Zero gate voltage drain current	I_{DSS}	-	0.05	1	μA	$V_{DS}=80V, V_{GS}=0V$ $T_j=25^\circ\text{C}$
		-	-	5		$T_j=125^\circ\text{C}$
Gate-source leakage current	I_{GSS}	-	10	100	nA	$V_{GS}=20V, V_{DS}=0V$
Drain-source on-state resistance	$R_{DS(on)}$	-	4.7	5.6	mΩ	$V_{GS}=10V, I_D=30A$
Transconductance	g_{fs}	-	84.2	-	S	$V_{DS}=5V, I_D=50A$

Dynamic Characteristic

Input Capacitance	C_{iss}	-	3086	-	pF	$V_{GS}=0V, V_{DS}=40V,$ $f=1\text{MHz}$
Output Capacitance	C_{oss}	-	1057	-		
Reverse Transfer Capacitance	C_{rss}	-	26	-		
Gate Total Charge	Q_G	-	55	-	nC	$V_{GS}=10V, V_{DS}=40V,$ $I_D=50A, f=1\text{MHz}$
Gate-Source charge	Q_{gs}	-	15	-		
Gate-Drain charge	Q_{gd}	-	13	-		
Turn-on delay time	$t_{d(on)}$	-	20.1	-	ns	$V_{GS}=10V, V_{DD}=40V$ $R_{G_ext}=3.0\Omega$
Rise time	t_r	-	38.9	-		
Turn-off delay time	$t_{d(off)}$	-	45.1	-		
Fall time	t_f	-	22.8	-		
Gate resistance	R_G	-	3.3	-	Ω	$V_{GS}=0V, V_{DS}=0V,$ $f=1\text{MHz}$

Body Diode Characteristic

Parameter	Symbol	Value			Unit	Test Condition
		min.	typ.	max.		
Body Diode Forward Voltage	V_{SD}	-	0.95	1.4	V	$V_{GS}=0V, I_{SD}=50A$
Body Diode Reverse Recovery Time	t_{rr}	-	54	-	ns	$I_F=30A,$ $dI/dt=300A/us;$
Body Diode Reverse Recovery Charge	Q_{rr}	-	250	-	nC	

Typical Performance Characteristics

Fig 1: Output Characteristics

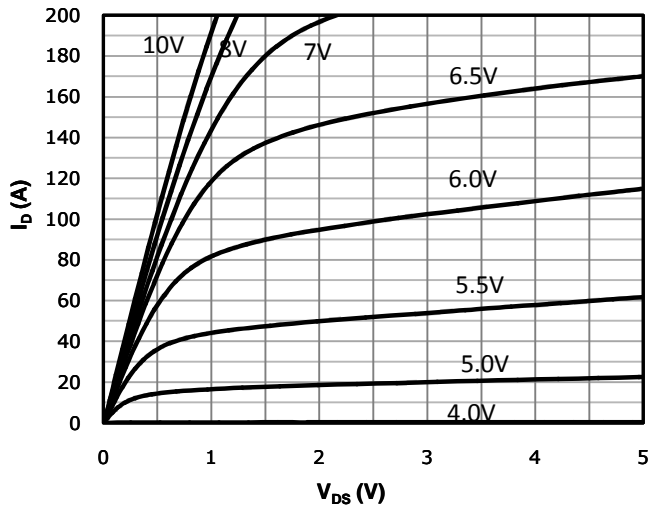


Fig 2: Transfer Characteristics

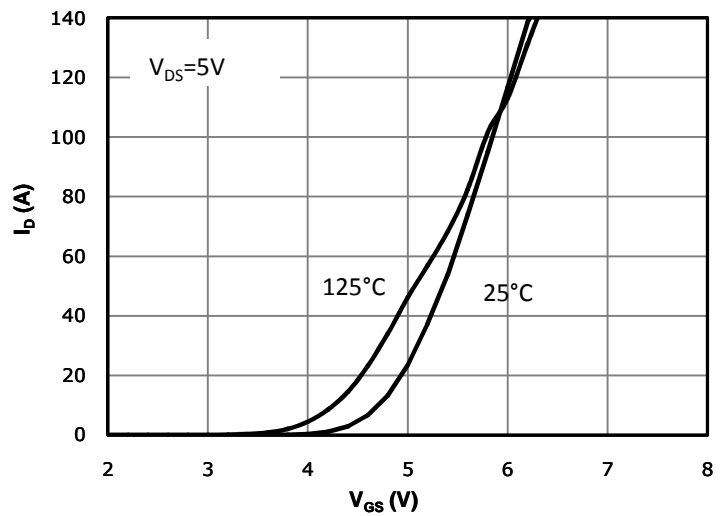


Fig 3: $R_{DS(on)}$ vs Drain Current and Gate Voltage

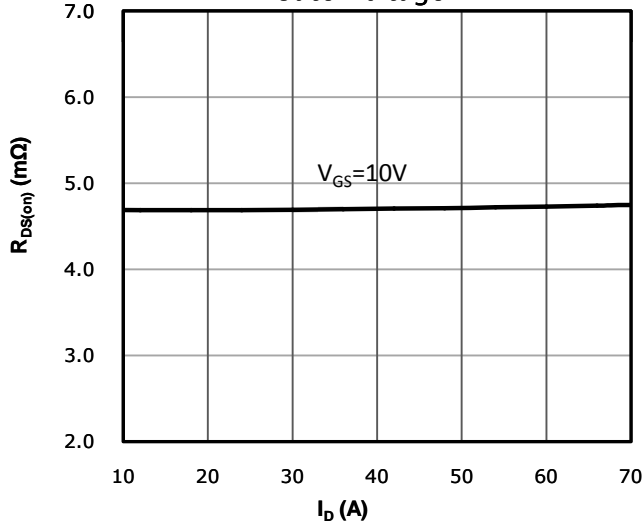


Fig 4: $R_{DS(on)}$ vs Gate Voltage

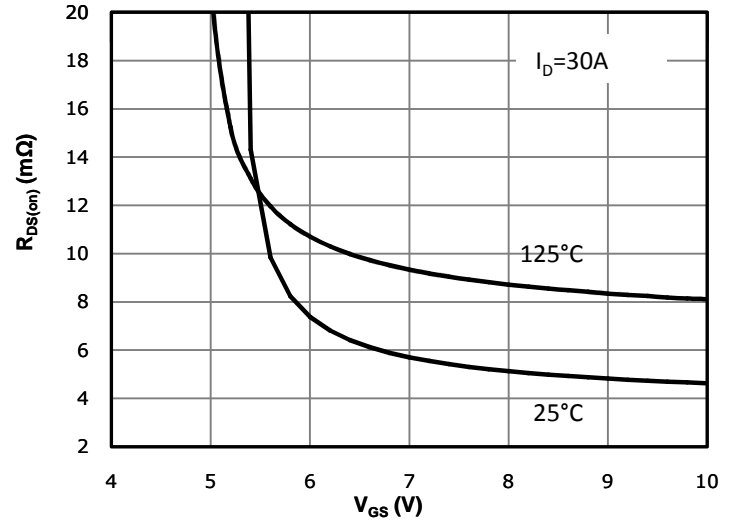


Fig 5: $R_{DS(on)}$ vs. Temperature

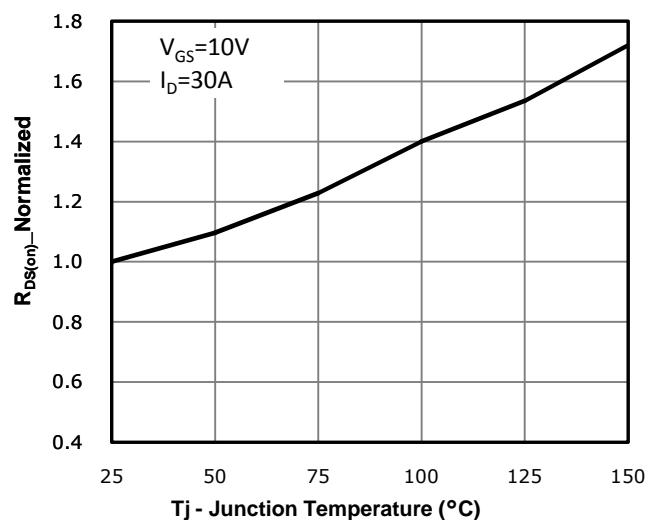


Fig 6: Capacitance Characteristics

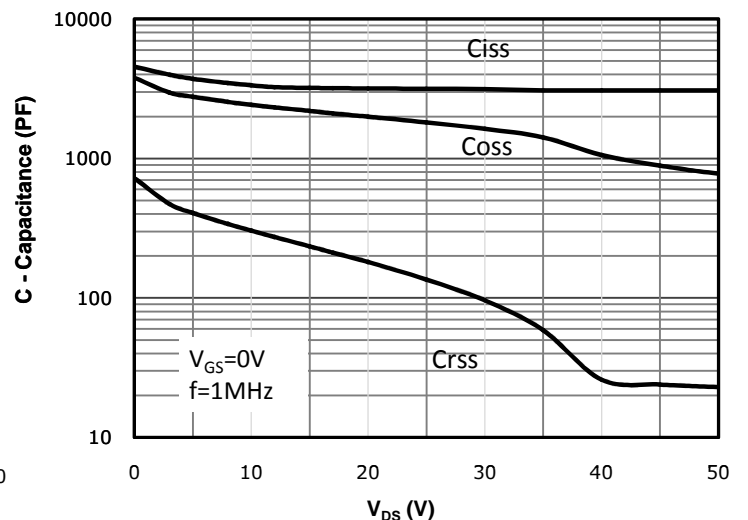


Fig 7: Gate Charge Characteristics

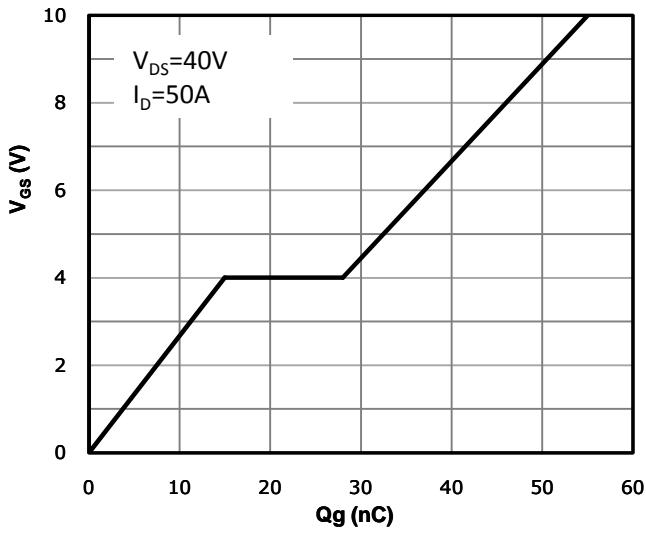


Fig 8: Body-diode Forward Characteristics

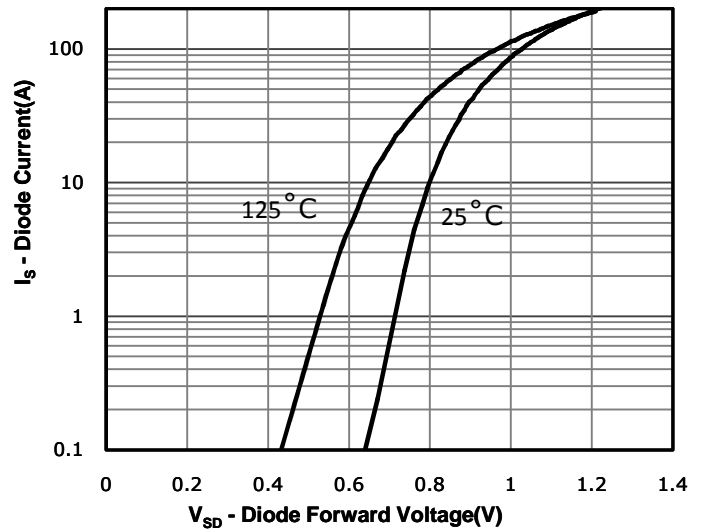


Fig 9: Power Dissipation

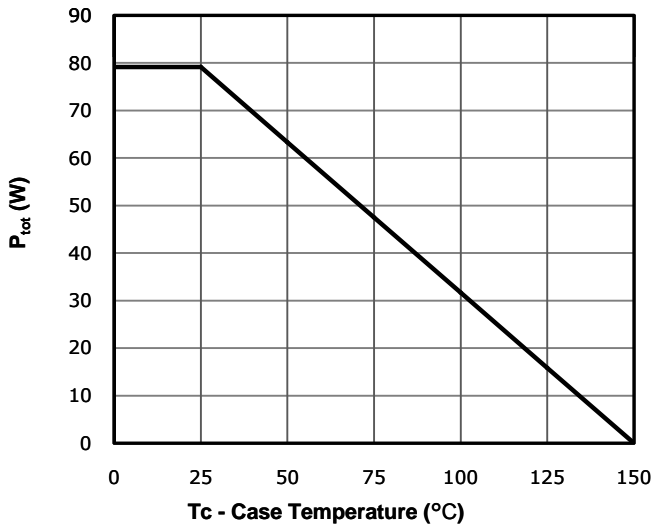


Fig 10: Drain Current Derating

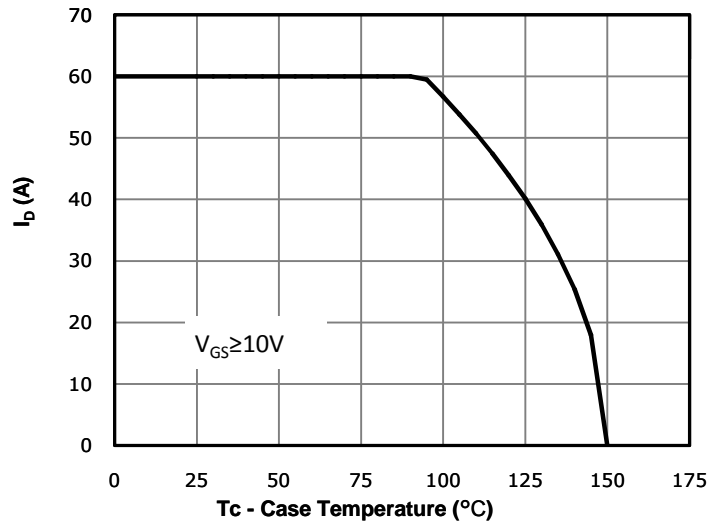


Fig 11: Safe Operating Area

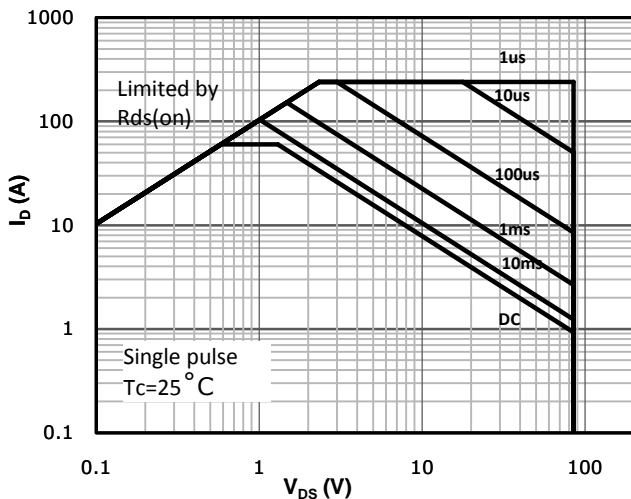
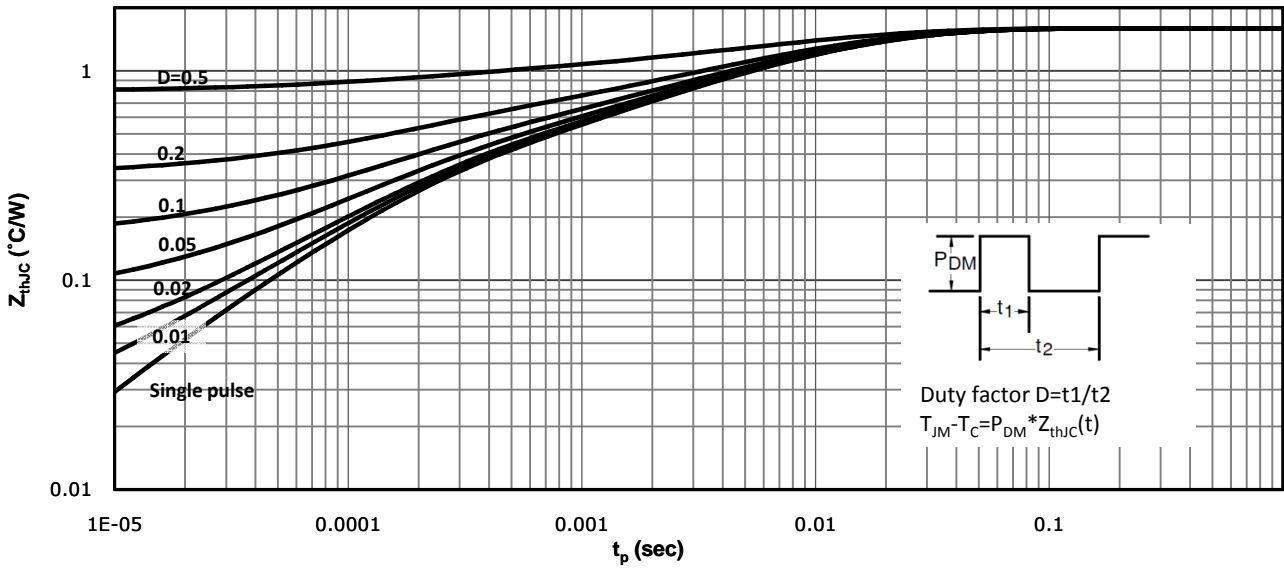
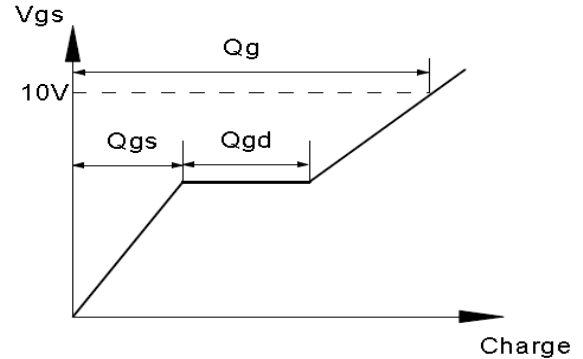
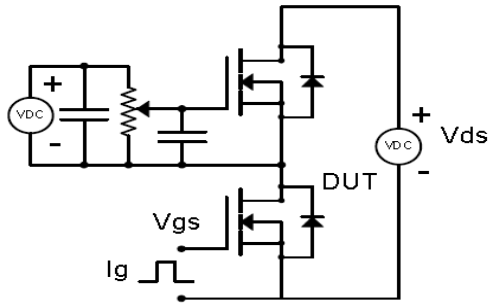


Fig 12: Max. Transient Thermal Impedance

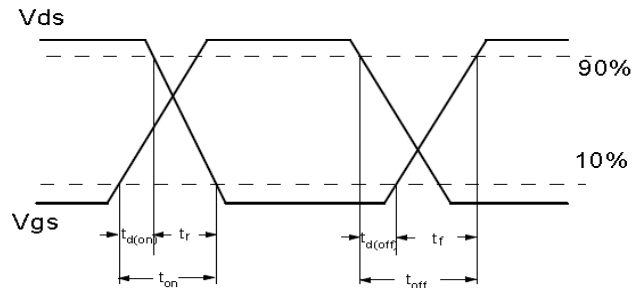
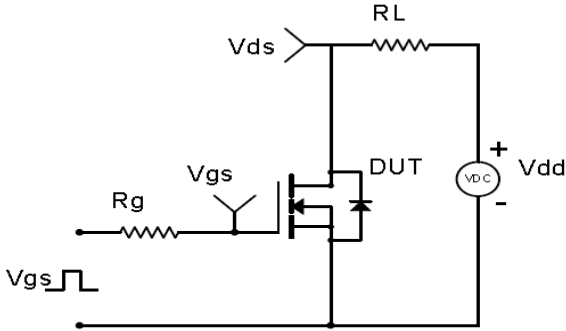


Test Circuit & Waveform

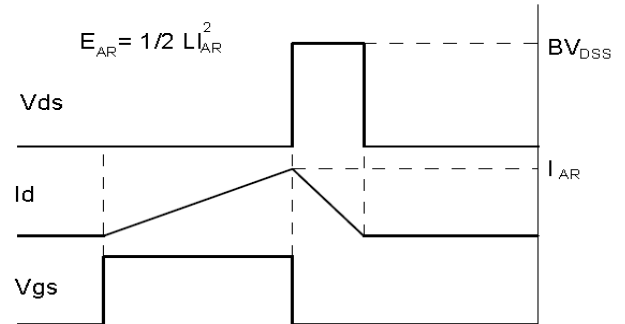
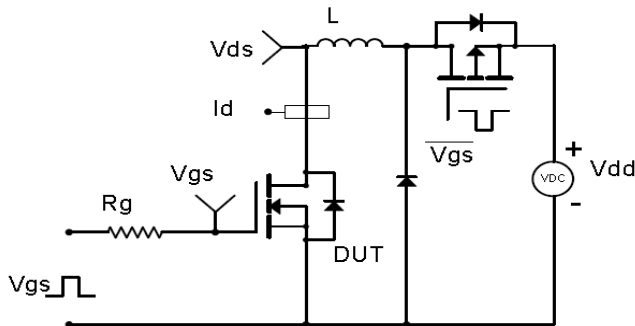
Gate Charge Test Circuit & Waveform



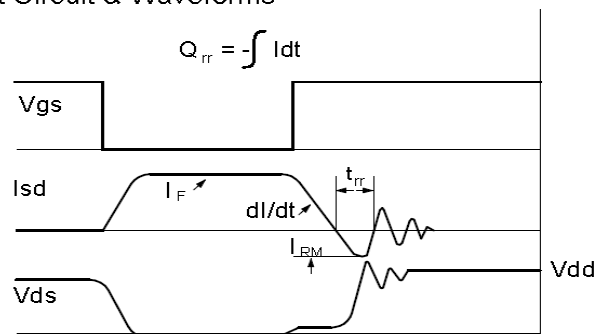
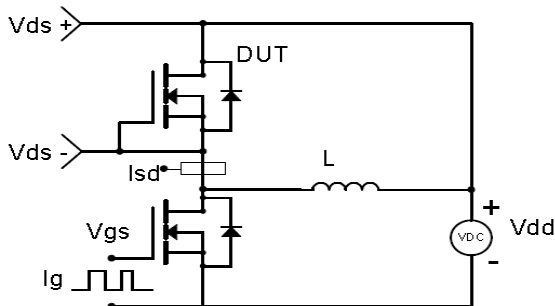
Resistive Switching Test Circuit & Waveforms

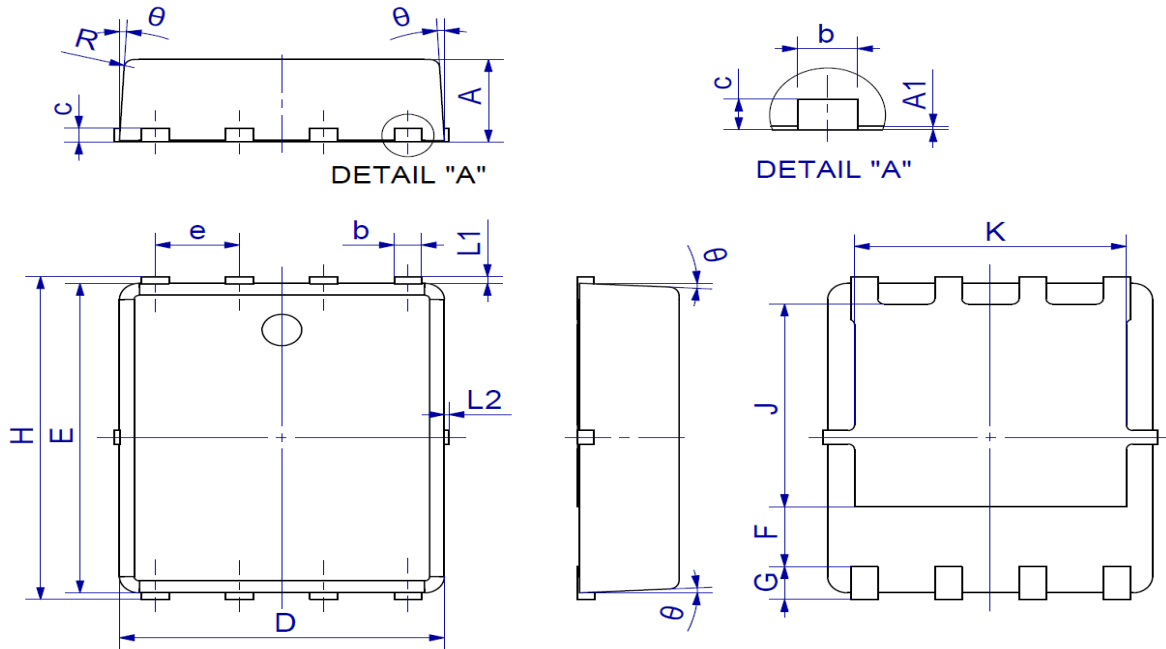


Unclamped Inductive Switching (UIS) Test Circuit & Waveforms



Diode Recovery Test Circuit & Waveforms



Package Outline: DFN5*6


Symbol	Dimensions In Millimeters		Dimensions In Inches	
	Min.	Max.	Min.	Max.
A	0.80	1.00	0.31	0.39
A1	0.00	0.05	0.00	0.02
b	0.35	0.49	0.14	0.19
c	0.254 REF.		0.1REF.	
D	4.90	5.10	1.93	2.01
E	5.70	5.90	2.24	2.32
e	1.27 BSC.		0.5 BSC.	
F	1.40 REF.		0.551 REF.	
G	0.60 REF.		0.236 REF.	
H	5.95	6.20	2.34	2.44
J	3.40 REF.		1.339 REF.	
K	4.00 REF.		1.575 REF.	
L1	0.10	0.15	0.04	0.06
L2	----	0.02	----	0.01
θ	10° TYP.		10° TYP.	

Revision History

Revision	Date	Major changes
1.0	2018-12-03	Release of formal version.

Disclaimer

Unless otherwise specified in the datasheet, the product is designed and qualified as a standard commercial product and is not intended for use in applications that require extraordinary levels of quality and reliability, such as automotive, aviation/aerospace and life-support devices or systems.

Any and all semiconductor products have certain probability to fail or malfunction, which may result in personal injury, death or property damage. Customer are solely responsible for providing adequate safe measures when design their systems.

CRM(CQ) reserves the right to improve product design, function and reliability without notice.