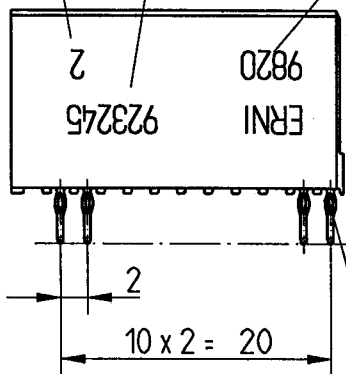


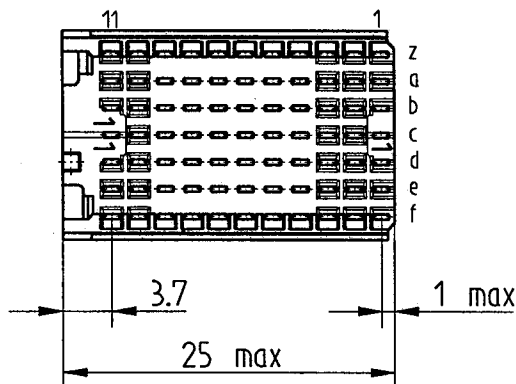
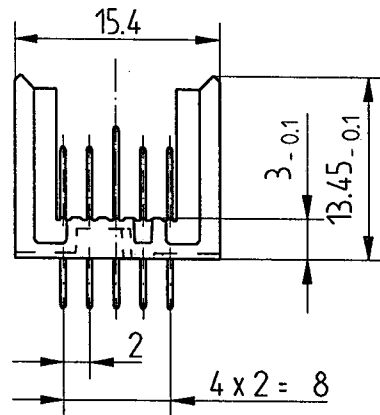
Anforderungsstufe  
class

Id.-Nr.

Datum  
date

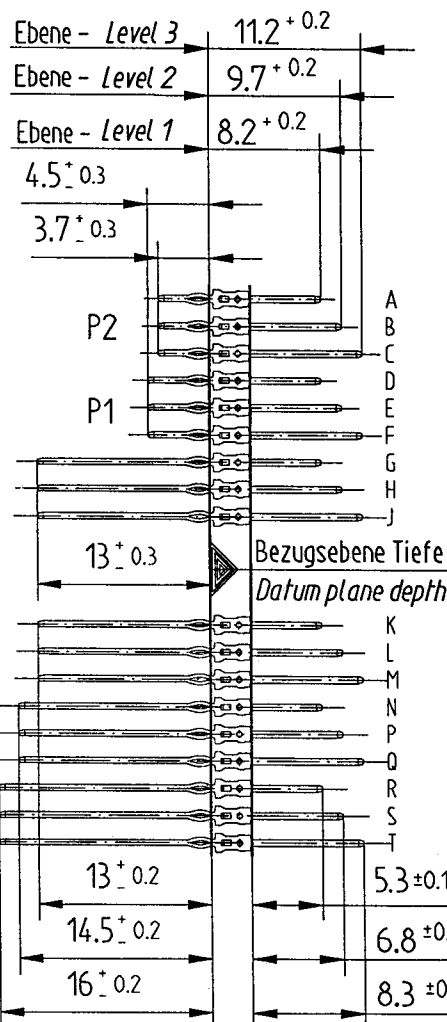
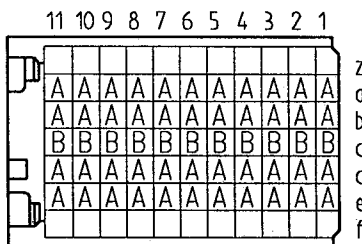


EE Zone fuer durchkontaktierte  
Loecher  $\Phi 0.6 \pm 0.05$   
compliant zone for thru hole  
 $\Phi 0.6 \pm 0.05$



**FOR REFERENCE ONLY**

Bestueckungsplan - contact layout



Fehlende Masse und Angaben nach IEC 61076-4-101

Missing information and dimensions per IEC 61076-4-101

Information: P2 Level 1 row a,b,d,e Level 2 row c ohne Fixierstift / without location peg	Tolerances		 All Dimensions in mm	Scale	2:1		
				Angaben zu entsprechender Ident.-Nr. siehe Fertigungsunterlagen For further information about I.D. number see manufacturing document			
	Date	Name		Designation			
	Drawn	07.05.98		BUCKENL	ERmet Messerleiste C ERmet Male Wide Type C 923245		
Checked							
Approved			ERNI Elektroapparate GmbH D-73099 ADELBERG				
Index	Modification Nr.	Date	Name	Part Group	ERM	Part Type	C

Constant price from DIN 34



AS OF 3/26/99 THIS DRAWING  
REPLACES ERNI-CHESTER DRAWING  
WITH 14.8 mm HOUSING PER AM261-97