

## FRED Modules



**V<sub>RRM</sub>** 1200V

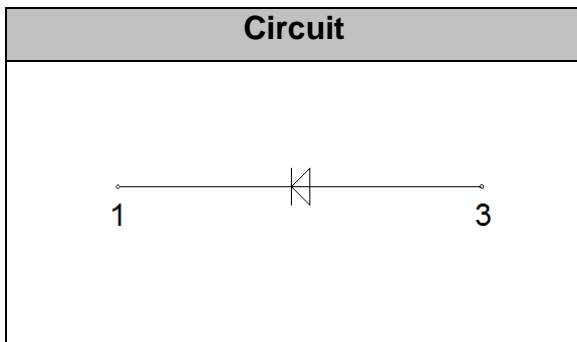
**I<sub>FAV</sub>** 300 A

### Applications

- Inversion Welder
- Uninterruptible Power Supply (UPS)
- Plating Power Supply
- Ultrasonic Cleaner and Welder
- Power Factor Correction (PFC) Circuit
- Converter & Chopper

### Features

- Soft Reverse Recovery Characteristics
- Ultrafast Reverse Recovery Time
- Low Reverse Recovery Loss
- Low Forward Voltage
- High Surge Current Capability
- Low Inductance Package



### Maximum Ratings

Symbol	Conditions	Values	Units
$V_R$		1200	V
$V_{RRM}$		1200	V
$I_{F(AV)}$	$T_C=100^\circ\text{C}$	300	A
	$T_C=110^\circ\text{C}, 20\text{KHz}$	210	A
$I_{F(RMS)}$	$T_C=110^\circ\text{C}$	420	A
$I_{FSM}$	$T_J=45^\circ\text{C}, 1/2 \text{ Cycle}, 50\text{Hz}, \text{Sine}$	2500	A
	$T_J=45^\circ\text{C}, 1/2 \text{ Cycle}, 60\text{Hz}, \text{Sine}$	2800	A
$I^2t$	$T_J=45^\circ\text{C}, t=10\text{ms}, 50\text{Hz}, \text{Sine}$	312500	$\text{A}^2\text{s}$
	$T_J=45^\circ\text{C}, t=8.3\text{ms}, 60\text{Hz}, \text{Sine}$	325000	$\text{A}^2\text{s}$
$P_D$		890	W
Visol	AC, $T_{on}=1\text{min}$	3000	V
$T_J$		-40 to +150	$^\circ\text{C}$
$T_{STG}$		-40 to +125	$^\circ\text{C}$
Torque	Recommended (M6)	$5\pm 15\%$	N·m
Torque	Recommended (M6)	$5\pm 15\%$	N·m
Weight		160	g

### Thermal Characteristics

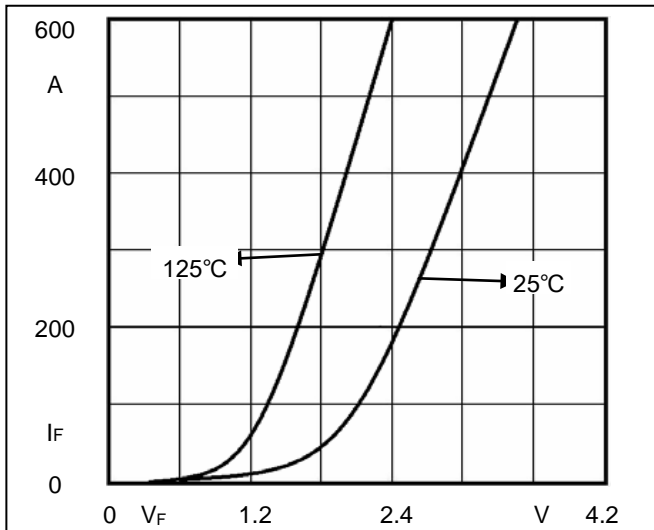
Symbol	Conditions	Values	Units
$R_{th(j-c)}$	Junction - to - Case	0.14	$^\circ\text{C/W}$



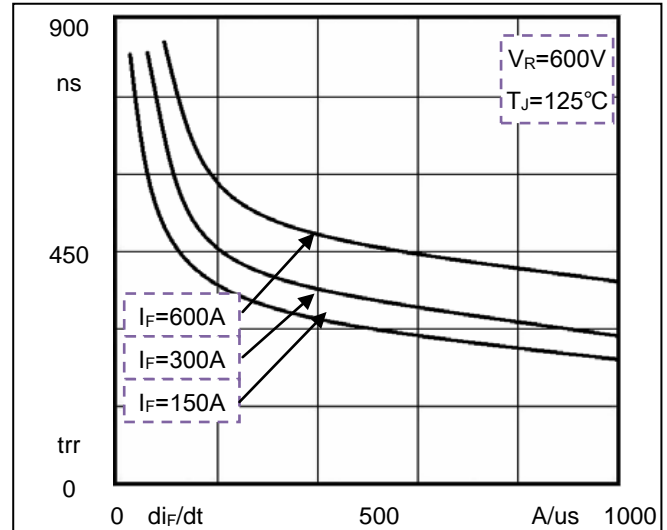
**Electrical Characteristics**

Symbol	Conditions	Values			Units
		Min.	Typ.	Max.	
$I_{RM}$	$V_R=1200V$	--	--	5	mA
	$V_R=1200V, T_J=125^\circ C$	--	--	10	mA
$V_F$	$I_F=300A$	--	2.7		V
	$I_F=300A, T_J=125^\circ C$	--	1.8		V
trr	$I_F=1A, V_R=30V, di_F/dt=-200A/\mu s$	--	57	--	ns
trr	$V_R=600V, I_F=300A, di_F/dt=-200A/\mu s, T_J=25^\circ C$	--	150	--	ns
$I_{RRM}$		--	12	--	A
trr	$V_R=600V, I_F=300A, di_F/dt=-200A/\mu s, T_J=125^\circ C$	--	450	--	ns
$I_{RRM}$		--	27	--	A

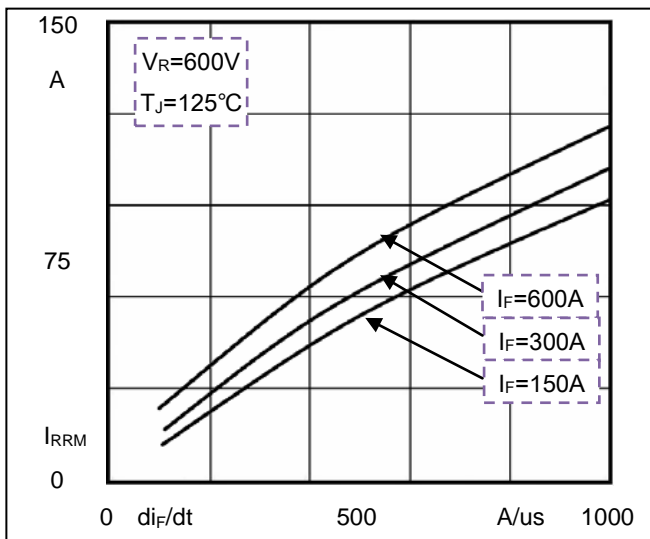
**Performance Curves**



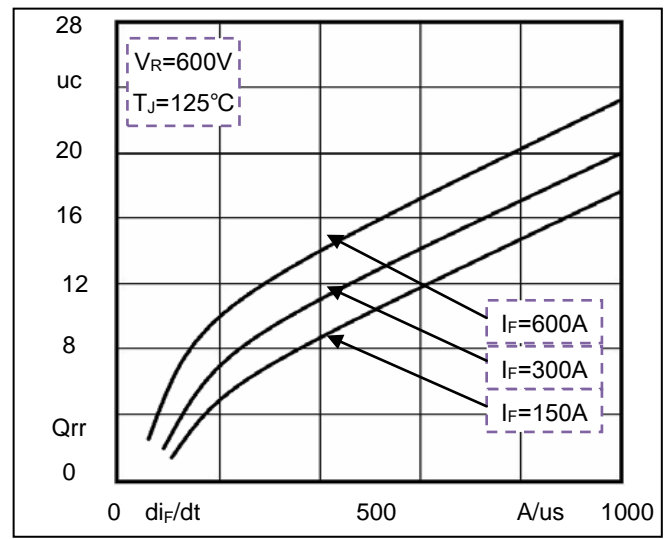
**Fig1. Forward Voltage Drop vs Forward Current**



**Fig2. Reverse Recovery Time vs diF/dt**



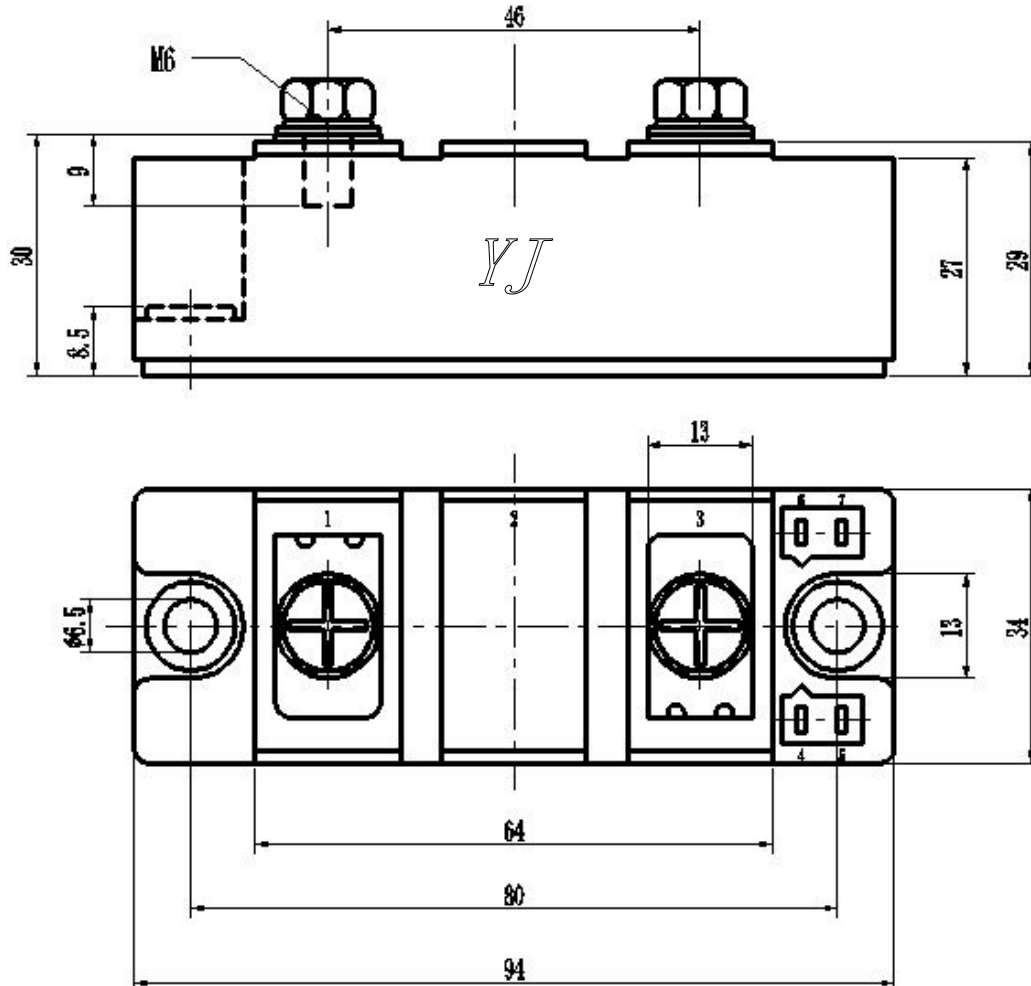
**Fig3. Reverse Recovery Current vs diF/dt**



**Fig4. Reverse Recovery Charge vs diF/dt**

## Package Outline Information

CASE: F2



Dimensions in mm