



## FRED Modules

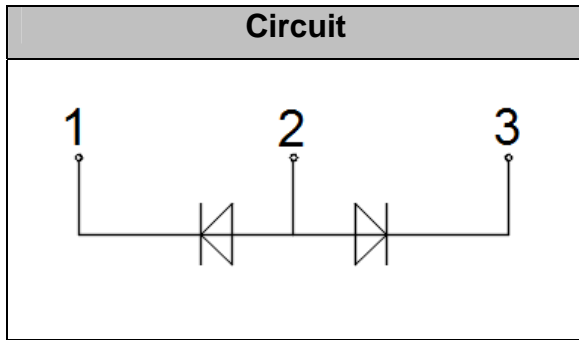
**V<sub>RRM</sub>** 1200V  
**I<sub>FAV</sub>** 100 A

### Applications

- Inversion Welder
- Uninterruptible Power Supply (UPS)
- Plating Power Supply
- Ultrasonic Cleaner and Welder
- Power Factor Correction (PFC) Circuit
- Converter & Chopper

### Features

- Soft Reverse Recovery Characteristics
- Ultrafast Reverse Recovery Time
- Low Reverse Recovery Loss
- Low Forward Voltage
- High Surge Current Capability
- Low Inductance Package



### Maximum Ratings

Symbol	Conditions	Values	Units
V <sub>R</sub>		1200	V
V <sub>RRM</sub>		1200	V
I <sub>F(AV)</sub>	T <sub>C</sub> =110°C, Per Leg	100	A
	T <sub>C</sub> =110°C, Per Module	200	A
I <sub>F(RMS)</sub>	T <sub>C</sub> =110°C, Per Leg	150	A
I <sub>FSM</sub>	1/2 Cycle, 50Hz, Sine	1100	A
	1/2 Cycle, 60Hz, Sine	1200	A
I <sup>2</sup> t	T <sub>J</sub> =45°C, t=10ms, 50Hz, Sine	6050	A <sup>2</sup> s
	T <sub>J</sub> =45°C, t=8.3ms, 60Hz, Sine	7200	A <sup>2</sup> s
P <sub>D</sub>		280	W
Visol	AC, Ton=1min	3000	V
T <sub>J</sub>		-40 to +150	°C
T <sub>STG</sub>		-40 to +125	°C
Torque	Recommended (M5)	2.5~4	N·m
Torque	Recommended (M5)	2.5~4	N·m
Weight		100	g

### Thermal Characteristics

Symbol	Conditions	Values	Units
R <sub>th(j-c)</sub>	Per Module	0.2	°C/W



## Electrical Characteristics

Symbol	Conditions	Values			Units
		Min.	Typ.	Max.	
$I_{RM}$	$V_R=1200V$	--	--	0.2	mA
	$V_R=1200V, T_J=125^\circ C$	--	--	2	mA
$V_F$	$I_F=100A$	--	1.65	1.75	V
	$I_F=100A, T_J=125^\circ C$	--	1.4	1.6	V
$t_{rr}$	$I_F=1A, V_R=30V, di_F/dt=-200A/\mu s$	--	35	--	ns
$t_{rr}$	$V_R=600V, I_F=100A, di_F/dt=-200A/\mu s, T_J=25^\circ C$	--	150	--	ns
$I_{RRM}$		--	28	--	A
$t_{rr}$	$V_R=600V, I_F=100A, di_F/dt=-200A/\mu s, T_J=125^\circ C$	--	255	--	ns
$I_{RRM}$		--	48	--	A

## Performance Curves

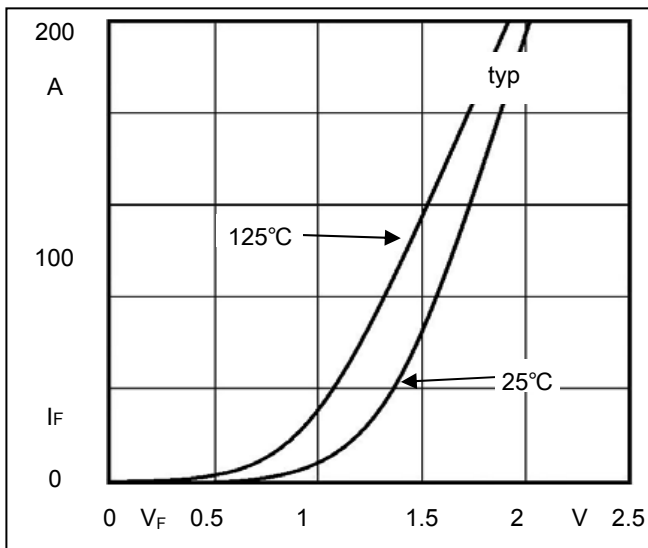


Fig1. Forward Voltage Drop vs Forward Current

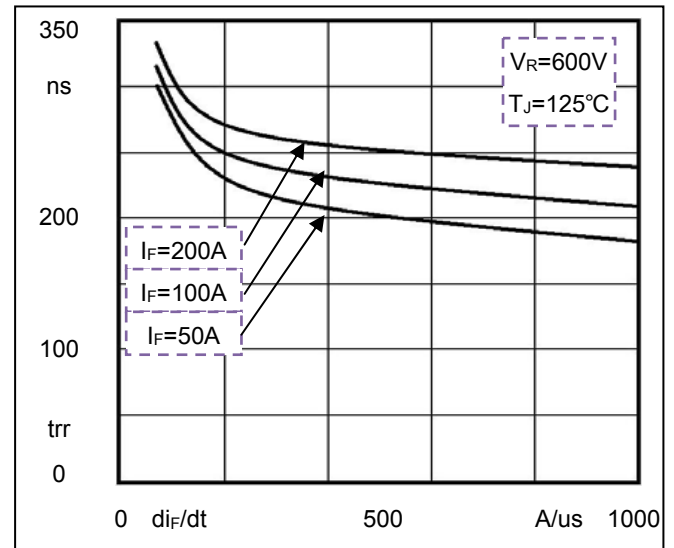


Fig2. Reverse Recovery Time vs  $di_F/dt$

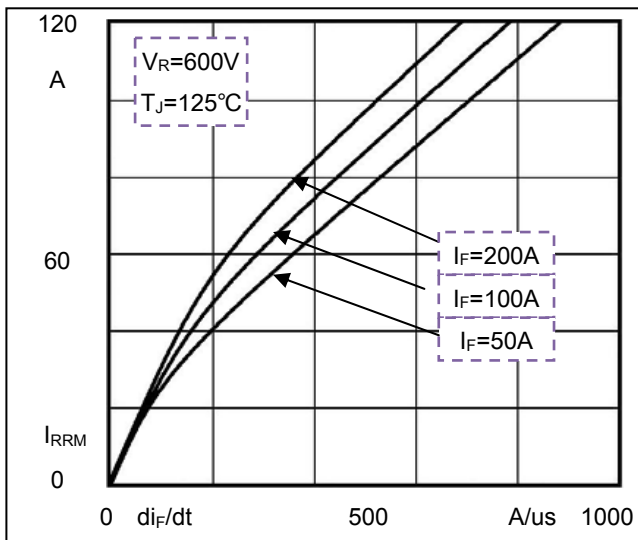


Fig3. Reverse Recovery Current vs  $di_F/dt$

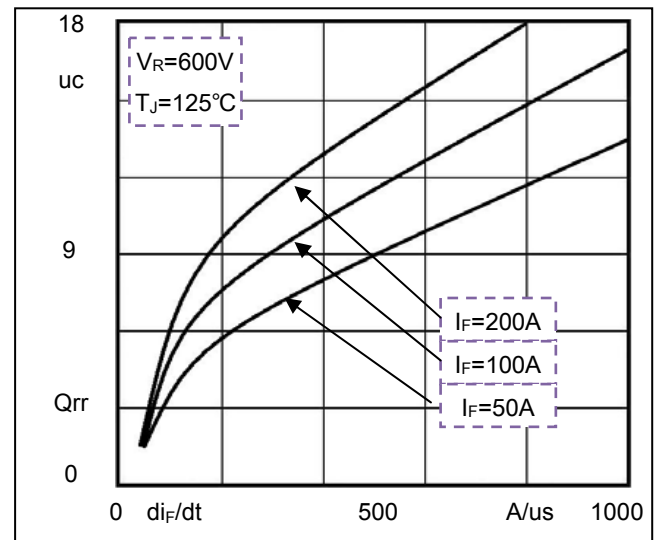
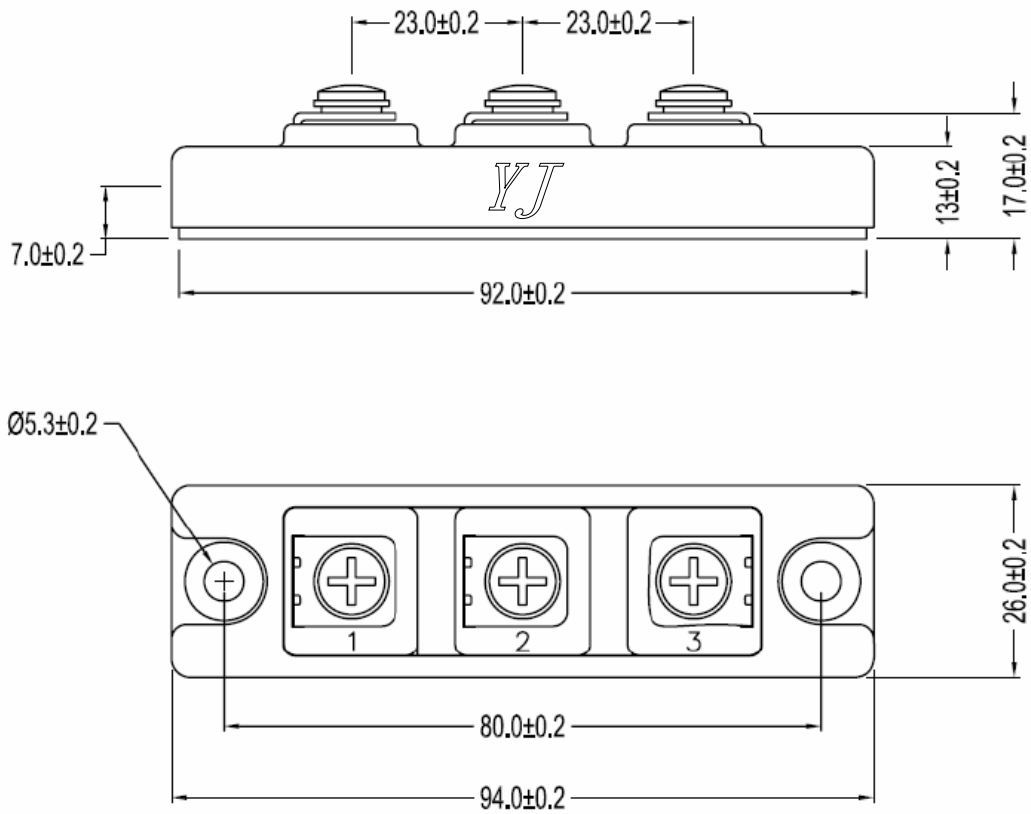


Fig4. Reverse Recovery Charge vs  $di_F/dt$

**Package Outline Information**

**CASE: F5**



**Dimensions in mm**