



piezoelectric buzzer

YX-YD2310

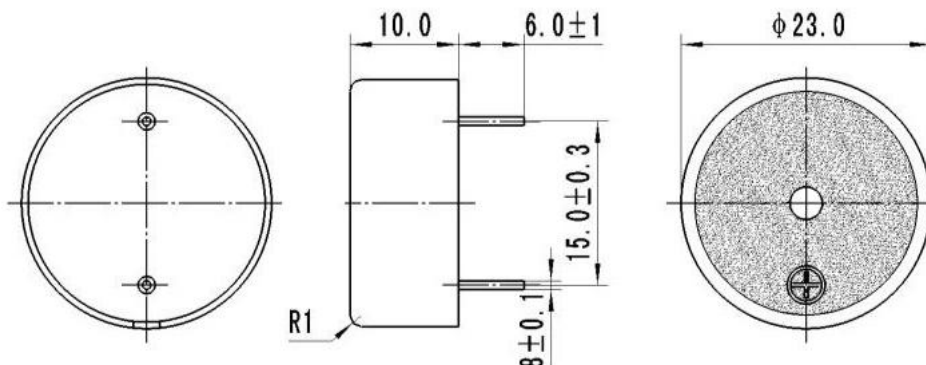


Electrical Characteristics

Type	Unit	YX-YD2310
Rated Voltage	V	12
Operating Voltage	V	3-24
Rated Current (MAX)	mA	10
Min Sound Output at 10cm	dB	≥95
Resonant Frequency	Hz	3500±500
Operating Temperature	°C	-20~+70
Storage Temperature	°C	-30~+70
Housing Material		ABS
Weight	g	3.0

Dimensions

(UNT: mm) Tolerance: ±0.5mm Except Specified



Yue Xin Electronics Co., Ltd.

Add: People Industrial Park Chen Bao Town Xinghua City Jiangsu province China

Tel: +86 0523 83722059 Fax: +86 0523 83722259

Mob/whatsapp: +8615952695023 Mail: annabuzzer@yahoo.com

Web: www.xhyxdz.com

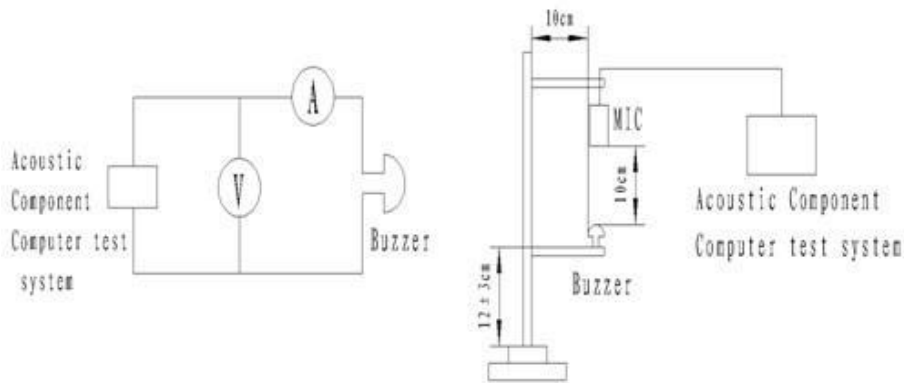


piezoelectric buzzer

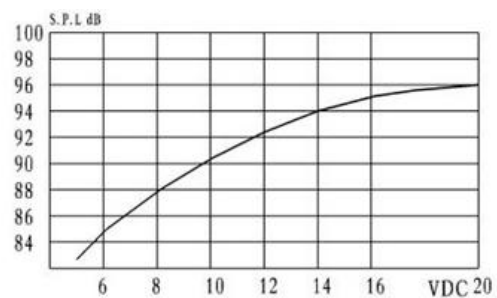
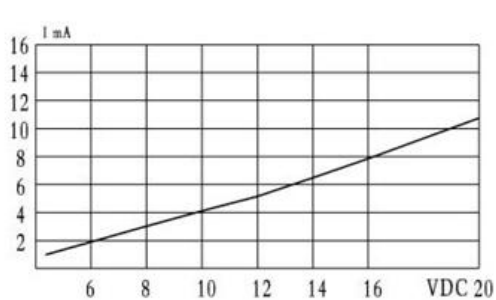
YX-YD2310



Testing Method:



Frequency Response:



Yue Xin Electronics Co., Ltd.

Add: People Industrial Park Chen Bao Town Xinghua City Jiangsu province China

Tel: +86 0523 83722059 **Fax:** +86 0523 83722259

Mob/whatsapp: +8615952695023 **Mail:** annabuzzer@yahoo.com

Web: www.xhyxdz.com



piezoelectric buzzer

YX-YD2310



Packing



Qty:150 PCS



Qty:3000 PCS

- 1.150PCS per box
- 2.20boxes per carton
- 3.Total 3000PCS per carton
- 4.Volume:52*26*37cm

Yue Xin Electronics Co., Ltd.

Add: People Industrial Park Chen Bao Town Xinghua City Jiangsu province China

Tel: +86 0523 83722059 Fax: +86 0523 83722259

Mob/whatsapp: +8615952695023 Mail: annabuzzer@yahoo.com

Web: www.xhyxdz.com