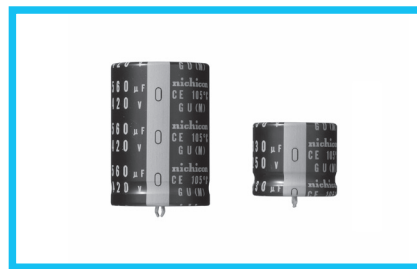


铝电解电容器 ALUMINUM ELECTROLYTIC CAPACITORS

LGU 基板自立型·105℃标准品

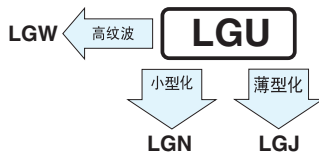


耐清洗品
(100V以下)



外套颜色：黑色

- 保证额定纹波电流印加3000小时。
- RoHS指令(2011/65/EU、(EU)2015/863)已对应完毕。

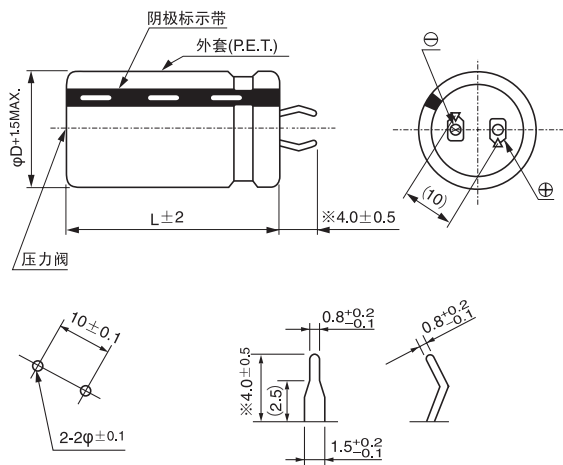


■ 仕様

项 目	性 能										
使用温度范围	-40~+105℃ (16~250V), -25~+105℃ (315~450V)										
额定电压范围	16~450V										
额定静电容量范围	47~47000μF										
额定静电容量容许差	±20% (120Hz, 20℃)										
漏损电流	3√CV (μA)以下 (5分值) (C: 额定静电容量 (μF)、V: 额定电压 (V))										
损失角正切值 (tan δ)	额定电压 (V)	16	25	35	50	63	80·100	160~420	450	120Hz 20℃	
	tan δ (MAX.)	0.50	0.40	0.35	0.30	0.25	0.20	0.15	0.20		
温度特性	额定电压 (V)	16~100			160~250			315~450		120Hz	
	阻抗率 (MAX.)	Z-25℃ / Z+20℃	4			3			8		
		Z-40℃ / Z+20℃	20			12			-		
耐久性	在105℃下, 在不超过额定电压的范围内重叠印加规定的额定纹波电流3000小时后, 返回20℃进行测定时, 满足以下项目										
	静电容量变化率	初始值的±20%以内									
	损失角正切值 (tan δ)	初始标准值的200%以下									
	漏损电流	初始标准值以下									
高温无负荷特性	在105℃下 无负荷放置1000小时后, 在20℃下根据 JIS C 5101-4 4.1项进行电压处理后, 应满足以下项目										
	静电容量变化率	初始值的±15%以内									
	损失角正切值 (tan δ)	初始标准值的150%以下									
	漏损电流	初始标准值以下									
表示	在黑色外套上标示白色										

■ 尺寸图

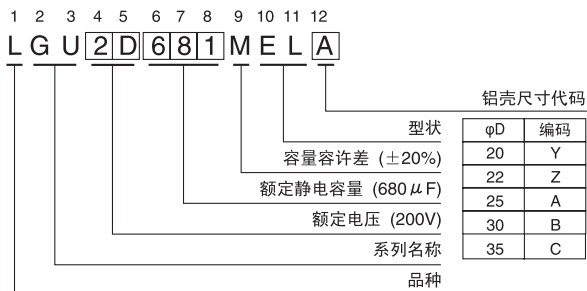
品号编码体系 (例: 200V 680μF)



(基板孔尺寸)

(端子型状)

※ 对其他的端子型状也制作。
请参照第333页的端子型状一项。



铝壳尺寸代码

型状	φD	编码
容量容许差 (±20%)	20	Y
额定静电容量 (680μF)	22	Z
额定电压 (200V)	25	A
系列名称	30	B
品种	35	C

● 额定纹波电流的频率补正系数

系数	频率 (Hz)	50	60	120	300	1k	10k	50k~
	16~100V	0.88	0.90	1.00	1.07	1.15	1.15	1.15
160~250V	0.81	0.85	1.00	1.17	1.32	1.45	1.50	
315~450V	0.77	0.82	1.00	1.16	1.30	1.41	1.43	

● 最低订货单位: 50个

● 尺寸表见下页。

铝电解电容器 ALUMINUM ELECTROLYTIC CAPACITORS



■ 尺寸表

16V (1C)				
额定静电容量 (μ F)	尺寸 \varnothing D×L (mm)	额定纹波 (mArms)	漏损电流 (mA)	品 号
6800	22 × 25	1750	0.98	LGU1C682MELZ
8200	22 × 30	2000	1.08	LGU1C822MELZ
10000	22 × 30	2100	1.20	LGU1C103MELZ
	25 × 25	2050	1.20	LGU1C103MELA
12000	22 × 35	2310	1.31	LGU1C123MELZ
	25 × 30	2300	1.31	LGU1C123MELA
	30 × 25	2380	1.31	LGU1C123MELB
15000	22 × 40	2680	1.46	LGU1C153MELZ
	25 × 35	2680	1.46	LGU1C153MELA
	30 × 30	2570	1.46	LGU1C153MELB
18000	22 × 45	2980	1.60	LGU1C183MELZ
	25 × 40	3160	1.60	LGU1C183MELA
	30 × 30	3000	1.60	LGU1C183MELB
22000	25 × 45	3400	1.77	LGU1C223MELA
	30 × 35	3390	1.77	LGU1C223MELB
	35 × 30	3250	1.77	LGU1C223MELC
27000	25 × 50	3850	1.97	LGU1C273MELA
	30 × 40	3830	1.97	LGU1C273MELB
	35 × 30	3740	1.97	LGU1C273MELC
33000	30 × 45	4300	2.17	LGU1C333MELB
	35 × 35	4270	2.17	LGU1C333MELC
39000	30 × 50	4810	2.36	LGU1C393MELB
	35 × 40	4800	2.36	LGU1C393MELC
47000	35 × 45	5530	2.60	LGU1C473MELC

25V (1E)				
额定静电容量 (μ F)	尺寸 \varnothing D×L (mm)	额定纹波 (mArms)	漏损电流 (mA)	品 号
4700	22 × 25	1610	1.02	LGU1E472MELZ
5600	22 × 30	1800	1.12	LGU1E562MELZ
6800	22 × 30	1910	1.23	LGU1E682MELZ
	25 × 25	1910	1.23	LGU1E682MELA
8200	22 × 35	2140	1.35	LGU1E822MELZ
	25 × 30	2340	1.35	LGU1E822MELA
	30 × 25	2250	1.35	LGU1E822MELB
10000	22 × 40	2650	1.50	LGU1E103MELZ
	25 × 35	2610	1.50	LGU1E103MELA
	30 × 30	2610	1.50	LGU1E103MELB
12000	22 × 45	2690	1.64	LGU1E123MELZ
	25 × 40	2810	1.64	LGU1E123MELA
	30 × 30	2740	1.64	LGU1E123MELB
15000	25 × 45	3270	1.83	LGU1E153MELA
	30 × 35	3130	1.83	LGU1E153MELB
	35 × 30	3260	1.83	LGU1E153MELC
18000	25 × 50	3540	2.01	LGU1E183MELA
	30 × 40	3560	2.01	LGU1E183MELB
	35 × 35	3840	2.01	LGU1E183MELC
22000	30 × 45	4240	2.22	LGU1E223MELB
	35 × 35	3960	2.22	LGU1E223MELC
27000	35 × 45	4750	2.46	LGU1E273MELC
33000	35 × 50	5500	2.72	LGU1E333MELC

35V (1V)				
额定静电容量 (μ F)	尺寸 \varnothing D×L (mm)	额定纹波 (mArms)	漏损电流 (mA)	品 号
3300	22 × 25	1450	1.01	LGU1V332MELZ
3900	22 × 30	1690	1.10	LGU1V392MELZ
4700	22 × 35	2020	1.21	LGU1V472MELZ
	25 × 25	1780	1.21	LGU1V472MELA
5600	22 × 35	2130	1.32	LGU1V562MELZ
	25 × 30	2040	1.32	LGU1V562MELA
	30 × 25	2120	1.32	LGU1V562MELB
6800	22 × 40	2410	1.46	LGU1V682MELZ
	25 × 35	2310	1.46	LGU1V682MELA
	30 × 25	2310	1.46	LGU1V682MELB
8200	22 × 50	2850	1.60	LGU1V822MELZ
	25 × 40	2730	1.60	LGU1V822MELA
	30 × 30	2750	1.60	LGU1V822MELB
10000	25 × 45	3050	1.77	LGU1V103MELA
	30 × 35	3050	1.77	LGU1V103MELB
12000	25 × 50	3370	1.94	LGU1V123MELA
	30 × 40	3280	1.94	LGU1V123MELB
	35 × 30	3200	1.94	LGU1V123MELC
15000	30 × 45	3740	2.17	LGU1V153MELB
	35 × 35	3690	2.17	LGU1V153MELC
18000	35 × 40	4370	2.38	LGU1V183MELC
22000	35 × 50	4920	2.63	LGU1V223MELC

50V (1H)				
额定静电容量 (μ F)	尺寸 \varnothing D×L (mm)	额定纹波 (mArms)	漏损电流 (mA)	品 号
1800	22 × 25	1340	0.90	LGU1H182MELZ
2700	22 × 30	1700	1.10	LGU1H272MELZ
	25 × 25	1700	1.10	LGU1H272MELA
3300	22 × 35	1980	1.21	LGU1H332MELZ
	25 × 30	2000	1.21	LGU1H332MELA
3900	22 × 40	2250	1.32	LGU1H392MELZ
	25 × 30	2280	1.32	LGU1H392MELA
	30 × 25	2220	1.32	LGU1H392MELB
4700	22 × 45	2560	1.45	LGU1H472MELZ
	25 × 35	2610	1.45	LGU1H472MELA
	30 × 30	2580	1.45	LGU1H472MELB
5600	22 × 50	2890	1.58	LGU1H562MELZ
	25 × 40	2810	1.58	LGU1H562MELA
	30 × 30	2950	1.58	LGU1H562MELB
6800	25 × 45	3370	1.74	LGU1H682MELA
	30 × 35	3390	1.74	LGU1H682MELB
	35 × 30	3310	1.74	LGU1H682MELC
8200	30 × 40	3710	1.92	LGU1H822MELB
	35 × 35	3660	1.92	LGU1H822MELC
10000	30 × 50	4090	2.12	LGU1H103MELB
	35 × 40	4070	2.12	LGU1H103MELC
12000	35 × 45	4560	2.32	LGU1H123MELC
15000	35 × 50	4770	2.59	LGU1H153MELC

105°C 120Hz 时的额定纹波电流 (mArms)

LGU

■ 尺寸表

63V (1J)				
额定静电容量 (μ F)	尺寸 \varnothing D×L (mm)	额定纹波 (mArms)	漏损电流 (mA)	品 号
1200	22×25	1250	0.82	LGU1J122MELZ
1500	22×30	1470	0.92	LGU1J152MELZ
	25×25	1440	0.92	LGU1J152MELA
1800	22×30	1580	1.01	LGU1J182MELZ
	25×25	1520	1.01	LGU1J182MELA
2200	22×35	1820	1.11	LGU1J222MELZ
	25×30	1750	1.11	LGU1J222MELA
2700	22×40	2070	1.23	LGU1J272MELZ
	25×35	2110	1.23	LGU1J272MELA
	30×25	1930	1.23	LGU1J272MELB
3300	22×45	2330	1.36	LGU1J332MELZ
	25×35	2270	1.36	LGU1J332MELA
	30×30	2240	1.36	LGU1J332MELB
3900	25×40	2540	1.48	LGU1J392MELA
	30×35	2550	1.48	LGU1J392MELB
4700	25×50	2970	1.63	LGU1J472MELA
	30×40	2900	1.63	LGU1J472MELB
	35×30	2830	1.63	LGU1J472MELC
5600	30×40	3280	1.78	LGU1J562MELB
	35×35	3240	1.78	LGU1J562MELC
6800	30×50	3730	1.96	LGU1J682MELB
	35×40	3710	1.96	LGU1J682MELC
8200	35×45	4160	2.15	LGU1J822MELC
10000	35×50	4690	2.38	LGU1J103MELC

80V (1K)				
额定静电容量 (μ F)	尺寸 \varnothing D×L (mm)	额定纹波 (mArms)	漏损电流 (mA)	品 号
820	22×25	1110	0.76	LGU1K821MELZ
1000	22×25	1290	0.84	LGU1K102MELZ
1200	22×30	1440	0.92	LGU1K122MELZ
	25×25	1390	0.92	LGU1K122MELA
1500	22×30	1610	1.03	LGU1K152MELZ
	25×25	1620	1.03	LGU1K152MELA
1800	22×35	1830	1.13	LGU1K182MELZ
	25×30	1860	1.13	LGU1K182MELA
	30×25	1810	1.13	LGU1K182MELB
2200	22×40	2090	1.25	LGU1K222MELZ
	25×35	2010	1.25	LGU1K222MELA
	30×25	2100	1.25	LGU1K222MELB
2700	25×40	2430	1.39	LGU1K272MELA
	30×30	2430	1.39	LGU1K272MELB
3300	25×45	2760	1.54	LGU1K332MELA
	30×35	2780	1.54	LGU1K332MELB
	35×30	2710	1.54	LGU1K332MELC
3900	25×50	2920	1.67	LGU1K392MELA
	30×40	3120	1.67	LGU1K392MELB
4700	35×30	3070	1.67	LGU1K392MELC
	30×45	3520	1.83	LGU1K472MELB
5600	35×35	3500	1.83	LGU1K472MELC
	30×50	3800	2.00	LGU1K562MELB
6800	35×40	3870	2.00	LGU1K562MELC
	35×45	4190	2.21	LGU1K682MELC

100V (2A)				
额定静电容量 (μ F)	尺寸 \varnothing D×L (mm)	额定纹波 (mArms)	漏损电流 (mA)	品 号
560	22×25	1070	0.70	LGU2A561MELZ
820	22×30	1350	0.85	LGU2A821MELZ
	25×25	1350	0.85	LGU2A821MELA
1000	22×30	1540	0.94	LGU2A102MELZ
	25×30	1560	0.94	LGU2A102MELA
1200	22×40	1740	1.03	LGU2A122MELZ
	25×30	1760	1.03	LGU2A122MELA
	30×25	1710	1.03	LGU2A122MELB
1500	22×45	1990	1.16	LGU2A152MELZ
	25×35	2030	1.16	LGU2A152MELA
	30×30	2000	1.16	LGU2A152MELB
1800	25×40	2280	1.27	LGU2A182MELA
	30×35	2270	1.27	LGU2A182MELB
2200	25×50	2570	1.40	LGU2A222MELA
	30×35	2590	1.40	LGU2A222MELB
	35×30	2520	1.40	LGU2A222MELC
2700	30×45	2940	1.55	LGU2A272MELB
	35×35	2900	1.55	LGU2A272MELC
3300	30×50	3320	1.72	LGU2A332MELB
	35×40	3310	1.72	LGU2A332MELC
3900	35×45	3690	2.87	LGU2A392MELC
4700	35×50	4140	2.05	LGU2A472MELC

160V (2C)				
额定静电容量 (μ F)	尺寸 \varnothing D×L (mm)	额定纹波 (mArms)	漏损电流 (mA)	品 号
270	20×25	1100	0.62	LGU2C271MELY
330	20×30	1200	0.68	LGU2C331MELY
390	20×30	1300	0.74	LGU2C391MELY
	22×25	1300	0.74	LGU2C391MELZ
470	20×35	1340	0.82	LGU2C471MELY
	22×30	1550	0.82	LGU2C471MELZ
	25×25	1550	0.82	LGU2C471MELA
560	20×40	1500	0.89	LGU2C561MELY
	22×35	1670	0.89	LGU2C561MELZ
	25×30	1670	0.89	LGU2C561MELA
	30×25	1670	0.89	LGU2C561MELB
680	20×45	1700	0.98	LGU2C681MELY
	22×40	1820	0.98	LGU2C681MELZ
	25×30	1820	0.98	LGU2C681MELA
	30×25	1820	0.98	LGU2C681MELB
820	22×45	2040	1.08	LGU2C821MELZ
	25×35	2040	1.08	LGU2C821MELA
	30×30	2040	1.08	LGU2C821MELB
	35×25	2040	1.08	LGU2C821MELC
1000	22×50	2250	1.20	LGU2C102MELZ
	25×40	2250	1.20	LGU2C102MELA
	30×30	2250	1.20	LGU2C102MELB
	35×25	2250	1.20	LGU2C102MELC
1200	25×45	2490	1.31	LGU2C122MELA
	30×35	2490	1.31	LGU2C122MELB
	35×30	2490	1.31	LGU2C122MELC
1500	30×40	2840	1.46	LGU2C152MELB
	35×30	2840	1.46	LGU2C152MELC
1800	30×45	3320	1.60	LGU2C182MELB
	35×35	3000	1.60	LGU2C182MELC
2200	35×45	3500	1.77	LGU2C222MELC
2700	35×50	4000	1.97	LGU2C272MELC

105°C 120Hz 时的额定纹波电流 (mArms)

铝电解电容器 ALUMINUM ELECTROLYTIC CAPACITORS

LGU

■ 尺寸表

180V (2Z)				
额定静电容量 (μ F)	尺寸 \varnothing D×L (mm)	额定纹波 (mArms)	漏损电流 (mA)	品 号
220	20 × 25	1000	0.59	LGU2Z221MELY
270	20 × 30	1100	0.66	LGU2Z271MELY
330	20 × 30	1200	0.73	LGU2Z331MELY
	22 × 25	1200	0.73	LGU2Z331MELZ
390	20 × 35	1300	0.79	LGU2Z391MELY
	22 × 30	1350	0.79	LGU2Z391MELZ
	25 × 25	1350	0.79	LGU2Z391MELA
470	20 × 40	1400	0.87	LGU2Z471MELY
	22 × 35	1500	0.87	LGU2Z471MELZ
	25 × 30	1500	0.87	LGU2Z471MELA
	30 × 25	1500	0.87	LGU2Z471MELB
560	20 × 45	1550	0.95	LGU2Z561MELY
	22 × 40	1670	0.95	LGU2Z561MELZ
	25 × 30	1670	0.95	LGU2Z561MELA
	30 × 25	1670	0.95	LGU2Z561MELB
680	22 × 45	1780	1.04	LGU2Z681MELZ
	25 × 35	1780	1.04	LGU2Z681MELA
	30 × 30	1780	1.04	LGU2Z681MELB
	35 × 25	1780	1.04	LGU2Z681MELC
820	22 × 50	2040	1.15	LGU2Z821MELZ
	25 × 40	2040	1.15	LGU2Z821MELA
	30 × 30	2040	1.15	LGU2Z821MELB
	35 × 25	2040	1.15	LGU2Z821MELC
1000	25 × 45	2300	1.27	LGU2Z102MELA
	30 × 35	2300	1.27	LGU2Z102MELB
	35 × 30	2300	1.27	LGU2Z102MELC
1200	25 × 50	2550	1.39	LGU2Z122MELA
	30 × 40	2550	1.39	LGU2Z122MELB
	35 × 30	2550	1.39	LGU2Z122MELC
1500	30 × 45	2900	1.55	LGU2Z152MELB
	35 × 35	2900	1.55	LGU2Z152MELC
1800	35 × 45	3300	1.70	LGU2Z182MELC
2200	35 × 50	3650	1.88	LGU2Z222MELC

200V (2D)				
额定静电容量 (μ F)	尺寸 \varnothing D×L (mm)	额定纹波 (mArms)	漏损电流 (mA)	品 号
220	20 × 25	1000	0.62	LGU2D221MELY
270	20 × 30	1100	0.69	LGU2D271MELY
	22 × 25	1100	0.69	LGU2D271MELZ
330	20 × 35	1200	0.77	LGU2D331MELY
	22 × 30	1250	0.77	LGU2D331MELZ
	25 × 25	1250	0.77	LGU2D331MELA
390	20 × 40	1310	0.83	LGU2D391MELY
	22 × 30	1350	0.83	LGU2D391MELZ
	25 × 25	1350	0.83	LGU2D391MELA
470	20 × 45	1450	0.91	LGU2D471MELY
	22 × 35	1500	0.91	LGU2D471MELZ
	25 × 30	1500	0.91	LGU2D471MELA
	30 × 25	1500	0.91	LGU2D471MELB
560	20 × 50	1580	1.00	LGU2D561MELY
	22 × 40	1670	1.00	LGU2D561MELZ
	25 × 30	1670	1.00	LGU2D561MELA
	30 × 25	1670	1.00	LGU2D561MELB
680	22 × 45	1780	1.10	LGU2D681MELZ
	25 × 35	1780	1.10	LGU2D681MELA
	30 × 30	1780	1.10	LGU2D681MELB
	35 × 25	1780	1.10	LGU2D681MELC
820	25 × 45	2040	1.21	LGU2D821MELA
	30 × 30	2040	1.21	LGU2D821MELB
	35 × 25	2040	1.21	LGU2D821MELC
1000	25 × 50	2300	1.34	LGU2D102MELA
	30 × 35	2300	1.34	LGU2D102MELB
	35 × 30	2300	1.34	LGU2D102MELC
	1200	30 × 40	2650	1.46
35 × 35		2650	1.46	LGU2D122MELC
1500		30 × 50	3080	1.64
	35 × 40	3080	1.64	LGU2D152MELC
	1800	35 × 45	3480	1.80
2200	35 × 50	3780	1.98	LGU2D222MELC

220V (2P)				
额定静电容量 (μ F)	尺寸 \varnothing D×L (mm)	额定纹波 (mArms)	漏损电流 (mA)	品 号
180	20 × 25	900	0.59	LGU2P181MELY
220	20 × 30	1000	0.66	LGU2P221MELY
	22 × 25	1000	0.66	LGU2P221MELZ
270	20 × 35	1150	0.73	LGU2P271MELY
	22 × 30	1150	0.73	LGU2P271MELZ
330	20 × 40	1250	0.80	LGU2P331MELY
	22 × 35	1250	0.80	LGU2P331MELZ
	25 × 25	1250	0.80	LGU2P331MELA
390	20 × 45	1400	0.87	LGU2P391MELY
	22 × 35	1400	0.87	LGU2P391MELZ
	25 × 30	1400	0.87	LGU2P391MELA
470	20 × 50	1450	0.96	LGU2P471MELY
	22 × 40	1450	0.96	LGU2P471MELZ
	25 × 35	1450	0.96	LGU2P471MELA
	30 × 25	1450	0.96	LGU2P471MELB
560	22 × 45	1700	1.05	LGU2P561MELZ
	25 × 40	1700	1.05	LGU2P561MELA
	30 × 30	1700	1.05	LGU2P561MELB
680	25 × 45	1780	1.16	LGU2P681MELA
	30 × 35	1780	1.16	LGU2P681MELB
	35 × 25	1780	1.16	LGU2P681MELC
820	25 × 50	2100	1.27	LGU2P821MELA
	30 × 40	2100	1.27	LGU2P821MELB
	35 × 30	2100	1.27	LGU2P821MELC
1000	30 × 45	2400	1.40	LGU2P102MELB
	35 × 35	2400	1.40	LGU2P102MELC
1200	30 × 50	2600	1.54	LGU2P122MELB
	35 × 40	2600	1.54	LGU2P122MELC
1500	35 × 45	3000	1.72	LGU2P152MELC

250V (2E)				
额定静电容量 (μ F)	尺寸 \varnothing D×L (mm)	额定纹波 (mArms)	漏损电流 (mA)	品 号
150	20 × 25	790	0.58	LGU2E151MELY
180	20 × 30	900	0.63	LGU2E181MELY
	20 × 30	1000	0.70	LGU2E221MELY
220	22 × 25	1000	0.70	LGU2E221MELZ
	20 × 35	1100	0.77	LGU2E271MELY
270	22 × 35	1180	0.77	LGU2E271MELZ
	25 × 25	1180	0.77	LGU2E271MELA
	20 × 40	1200	0.86	LGU2E331MELY
330	22 × 40	1300	0.86	LGU2E331MELZ
	25 × 30	1300	0.86	LGU2E331MELA
	30 × 25	1300	0.86	LGU2E331MELB
	20 × 50	1450	0.93	LGU2E391MELY
390	22 × 45	1490	0.93	LGU2E391MELZ
	25 × 35	1490	0.93	LGU2E391MELA
	30 × 25	1490	0.93	LGU2E391MELB
	22 × 50	1650	1.02	LGU2E471MELZ
470	25 × 40	1650	1.02	LGU2E471MELA
	30 × 30	1650	1.02	LGU2E471MELB
	35 × 25	1650	1.02	LGU2E471MELC
	25 × 45	1800	1.12	LGU2E561MELA
560	30 × 35	1800	1.12	LGU2E561MELB
	35 × 25	1800	1.12	LGU2E561MELC
	25 × 50	2000	1.23	LGU2E681MELA
680	30 × 40	2000	1.23	LGU2E681MELB
	35 × 30	2000	1.23	LGU2E681MELC
	820	30 × 45	2300	1.35
35 × 35		2300	1.35	LGU2E821MELC
1000	30 × 50	2470	1.50	LGU2E102MELB
	35 × 40	2470	1.50	LGU2E102MELC
1200	35 × 45	2600	1.64	LGU2E122MELC
1500	35 × 50	3000	1.83	LGU2E152MELC

105°C 120Hz 时的额定纹波电流 (mArms)

铝电解电容器 ALUMINUM ELECTROLYTIC CAPACITORS

LGU

■ 尺寸表

315V (2F)				
额定静电容量 (μ F)	尺寸 \varnothing D×L (mm)	额定纹波 (mArms)	漏损电流 (mA)	品 号
82	20 × 25	640	0.48	LGU2F820MELY
100	20 × 30	690	0.53	LGU2F101MELY
120	20 × 30	750	0.58	LGU2F121MELY
	22 × 25	750	0.58	LGU2F121MELZ
150	20 × 35	820	0.65	LGU2F151MELY
	22 × 30	820	0.65	LGU2F151MELZ
	25 × 25	820	0.65	LGU2F151MELA
180	20 × 40	900	0.71	LGU2F181MELY
	22 × 35	920	0.71	LGU2F181MELZ
	25 × 25	920	0.71	LGU2F181MELA
220	20 × 50	1000	0.78	LGU2F221MELY
	22 × 40	1040	0.78	LGU2F221MELZ
	25 × 30	1040	0.78	LGU2F221MELA
	30 × 25	1040	0.78	LGU2F221MELB
270	22 × 45	1160	0.87	LGU2F271MELZ
	25 × 35	1160	0.87	LGU2F271MELA
	30 × 25	1160	0.87	LGU2F271MELB
330	22 × 50	1330	0.96	LGU2F331MELZ
	25 × 40	1330	0.96	LGU2F331MELA
	30 × 30	1330	0.96	LGU2F331MELB
	35 × 25	1330	0.96	LGU2F331MELC
390	25 × 45	1470	1.05	LGU2F391MELA
	30 × 35	1470	1.05	LGU2F391MELB
	35 × 30	1470	1.05	LGU2F391MELC
470	25 × 50	1700	1.15	LGU2F471MELA
	30 × 40	1700	1.15	LGU2F471MELB
	35 × 30	1700	1.15	LGU2F471MELC
560	30 × 45	2050	1.26	LGU2F561MELB
	35 × 35	2050	1.26	LGU2F561MELC
680	30 × 55	2170	1.38	LGU2F681MELB
	35 × 40	2170	1.38	LGU2F681MELC
820	35 × 45	2200	1.52	LGU2F821MELC

400V (2G)				
额定静电容量 (μ F)	尺寸 \varnothing D×L (mm)	额定纹波 (mArms)	漏损电流 (mA)	品 号
56	20 × 25	510	0.44	LGU2G560MELY
68	20 × 30	560	0.49	LGU2G680MELY
82	20 × 30	640	0.54	LGU2G820MELY
	22 × 25	640	0.54	LGU2G820MELZ
100	20 × 35	700	0.60	LGU2G101MELY
	22 × 30	700	0.60	LGU2G101MELZ
	25 × 25	700	0.60	LGU2G101MELA
120	20 × 40	750	0.65	LGU2G121MELY
	22 × 35	750	0.65	LGU2G121MELZ
	25 × 25	750	0.65	LGU2G121MELA
150	20 × 45	830	0.73	LGU2G151MELY
	22 × 40	880	0.73	LGU2G151MELZ
	25 × 30	880	0.73	LGU2G151MELA
	30 × 25	880	0.73	LGU2G151MELB
180	22 × 45	980	0.80	LGU2G181MELZ
	25 × 35	980	0.80	LGU2G181MELA
	30 × 30	980	0.80	LGU2G181MELB
	35 × 25	980	0.80	LGU2G181MELC
220	22 × 50	1100	0.88	LGU2G221MELZ
	25 × 40	1100	0.88	LGU2G221MELA
	30 × 30	1100	0.88	LGU2G221MELB
	35 × 25	1100	0.88	LGU2G221MELC
270	25 × 45	1220	0.98	LGU2G271MELA
	30 × 35	1220	0.98	LGU2G271MELB
	35 × 30	1220	0.98	LGU2G271MELC
330	25 × 50	1440	1.08	LGU2G331MELA
	30 × 40	1440	1.08	LGU2G331MELB
	35 × 30	1440	1.08	LGU2G331MELC
390	30 × 45	1600	1.18	LGU2G391MELB
	35 × 35	1600	1.18	LGU2G391MELC
	30 × 50	1900	1.30	LGU2G471MELB
470	35 × 40	1900	1.30	LGU2G471MELC
	35 × 45	2120	1.41	LGU2G561MELC

420V (W6)				
额定静电容量 (μ F)	尺寸 \varnothing D×L (mm)	额定纹波 (mArms)	漏损电流 (mA)	品 号
56	20 × 25	510	0.46	LGUW6560MELY
68	20 × 30	560	0.50	LGUW6680MELY
82	20 × 35	640	0.55	LGUW6820MELY
	22 × 25	640	0.55	LGUW6820MELZ
100	20 × 35	700	0.61	LGUW6101MELY
	22 × 30	700	0.61	LGUW6101MELZ
	25 × 25	700	0.61	LGUW6101MELA
120	20 × 40	750	0.67	LGUW6121MELY
	22 × 35	750	0.67	LGUW6121MELZ
	25 × 30	750	0.67	LGUW6121MELA
150	20 × 50	880	0.75	LGUW6151MELY
	22 × 40	880	0.75	LGUW6151MELZ
	25 × 35	880	0.75	LGUW6151MELA
	30 × 25	880	0.75	LGUW6151MELB
180	22 × 45	950	0.82	LGUW6181MELZ
	25 × 35	950	0.82	LGUW6181MELA
	30 × 30	950	0.82	LGUW6181MELB
220	22 × 50	1100	0.91	LGUW6221MELZ
	25 × 45	1100	0.91	LGUW6221MELA
	30 × 35	1100	0.91	LGUW6221MELB
	35 × 25	1100	0.91	LGUW6221MELC
270	25 × 50	1220	1.01	LGUW6271MELA
	30 × 40	1220	1.01	LGUW6271MELB
	35 × 30	1220	1.01	LGUW6271MELC
330	30 × 45	1450	1.11	LGUW6331MELB
	35 × 35	1450	1.11	LGUW6331MELC
390	30 × 50	1550	1.21	LGUW6391MELB
	35 × 40	1550	1.21	LGUW6391MELC
470	35 × 45	1900	1.33	LGUW6471MELC
560	35 × 50	2150	1.45	LGUW6561MELC

450V (2W)				
额定静电容量 (μ F)	尺寸 \varnothing D×L (mm)	额定纹波 (mArms)	漏损电流 (mA)	品 号
47	20 × 25	390	0.43	LGU2W470MELY
56	20 × 30	510	0.47	LGU2W560MELY
68	20 × 35	560	0.52	LGU2W680MELY
	20 × 35	640	0.57	LGU2W820MELY
82	22 × 30	640	0.57	LGU2W820MELZ
	25 × 25	640	0.57	LGU2W820MELA
	20 × 45	690	0.63	LGU2W101MELY
100	22 × 35	690	0.63	LGU2W101MELZ
	25 × 30	690	0.63	LGU2W101MELA
	20 × 50	750	0.69	LGU2W121MELY
120	22 × 40	800	0.69	LGU2W121MELZ
	25 × 30	800	0.69	LGU2W121MELA
	30 × 25	800	0.69	LGU2W121MELB
	22 × 45	880	0.77	LGU2W151MELZ
150	25 × 35	880	0.77	LGU2W151MELA
	30 × 30	880	0.77	LGU2W151MELB
	22 × 50	1000	0.85	LGU2W181MELZ
180	25 × 40	1000	0.85	LGU2W181MELA
	30 × 30	1000	0.85	LGU2W181MELB
	25 × 45	1120	0.94	LGU2W221MELA
220	30 × 35	1120	0.94	LGU2W221MELB
	35 × 30	1120	0.94	LGU2W221MELC
270	30 × 40	1280	1.04	LGU2W271MELB
	35 × 35	1280	1.04	LGU2W271MELC
330	30 × 50	1450	1.15	LGU2W331MELB
	35 × 40	1450	1.15	LGU2W331MELC
390	35 × 40	1500	1.25	LGU2W391MELC
	35 × 50	1850	1.37	LGU2W471MELC

105°C 120Hz 时的额定纹波电流 (mArms)