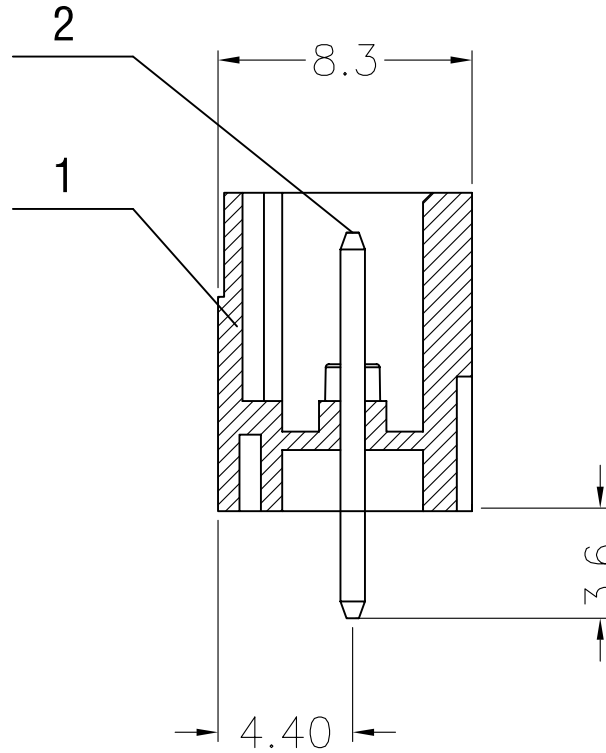
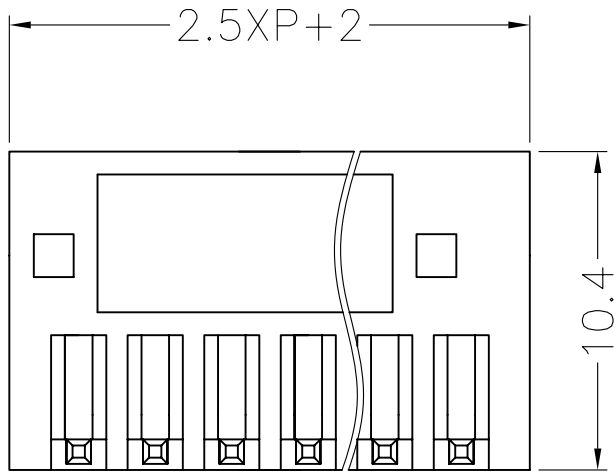
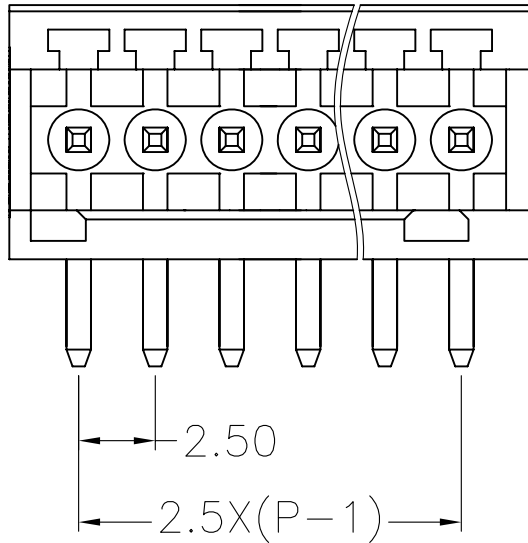


序号/RevNo.	名称/Title	文件编号/File No
1	XY2500VT主体	
2	XY2500VT-R端子	




125V 4A
Poles: 2-24P
Pitch: 2.5mm
Materials
Housing:PA66 (UL 94V-0)
Solder Pin:Brass, Tin Plated.



Undimensioned tolerances:

Pitch range in mm			Nominal dimension range in mm					-	∩	▯
0	Over 6	Over 10	Over 24	Over 30	Over 60	Over 100	Over 150	0.1/10		
T0	T0	T0	T0	T0	T0	T0	T0	∠		
6	10	24	30	60	100	150				
±0.10	±0.15	±0.20	±0.25	±0.40	±0.50	±0.70	±1.0	±2°		

设计/Designed by	绘图/Drawing by	审核/Checked by	批准/Approved by	未注公差 General Tolerance	
				x.°	x.°
 XINLAIYA ELECTRONIC CO.,LTD		图名/Title	文件编号/File No.	.x	.x°
		2500VT-2.5 产品图	QJ/XYT-1002000-00-00	.xx	.xx°
备注/Remark		页序/Sheet		.xxx	.xx°
				单位/Units: mm	