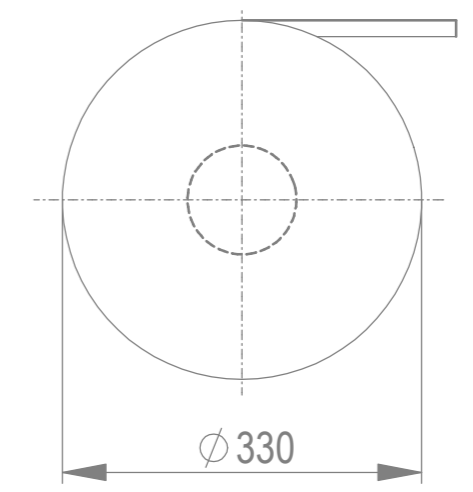
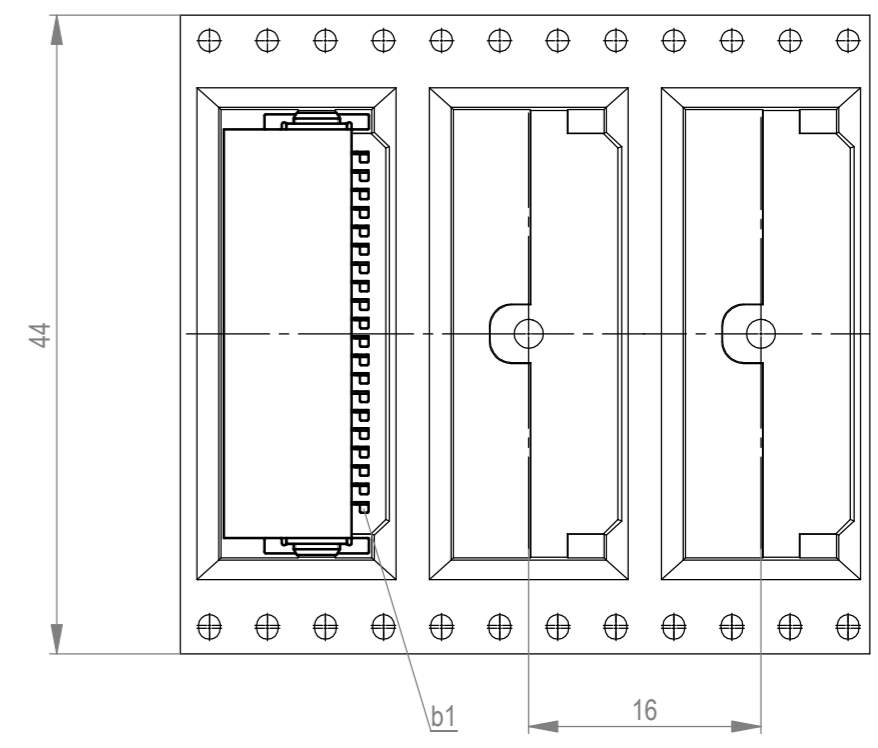


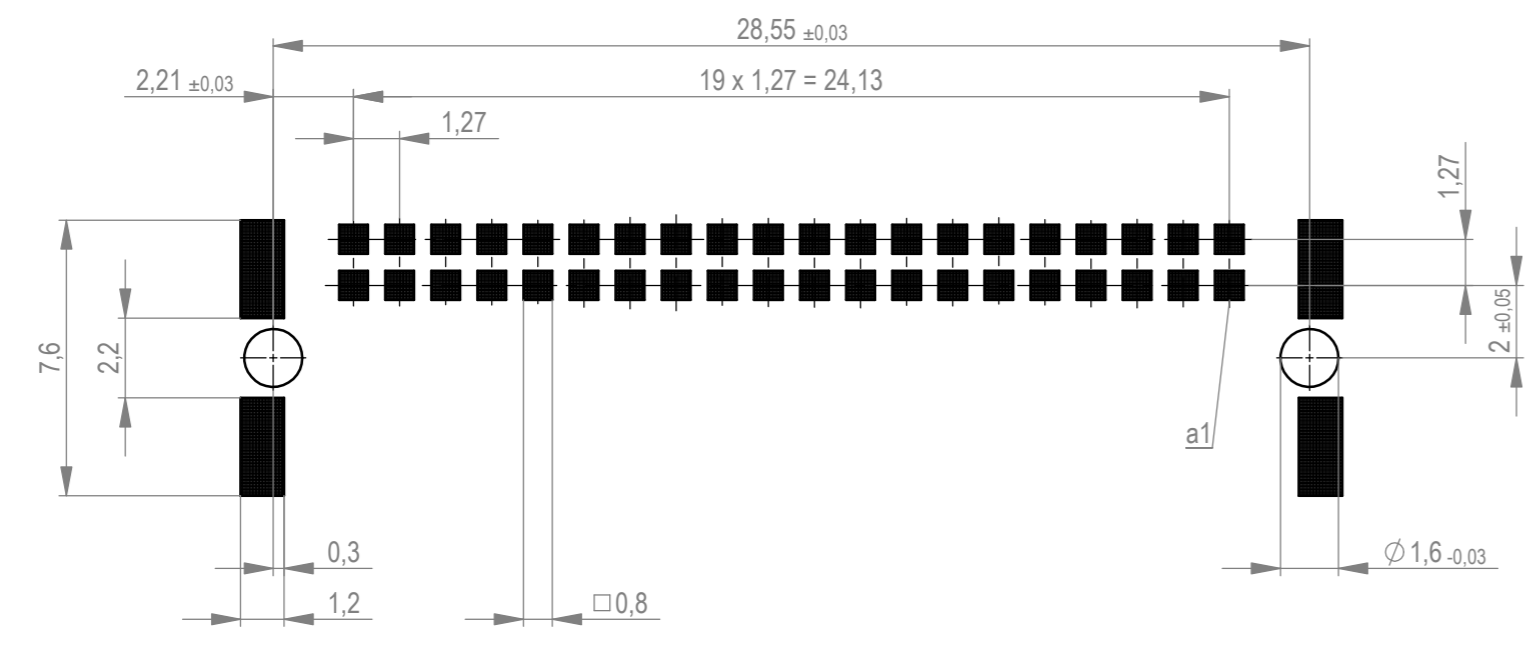
Verpackt im Gurt in Anlehnung an DIN IEC 60286-3
 tape on reel packaging according to DIN IEC 60286-3
 Verpackungseinheit: 560 Stück
 packaging unit: 560 pcs



Abspulrichtung - reel off direction →



Leiterplatten-Layout Vorschlag für SMT
 PCB-Layout Proposal for SMT



Anforderungsstufe 1
 performance level 1
 Kontaktbereich vergoldet
 mating area gold plating
 Anschlussbereich verzinkt 4-6 µm
 terminal area 4-6 µm tin plating
 Koplanarität der Anschlüsse ≤ 0,1 mm
 coplanarity area of termination ≤ 0,1 mm

BA7-03 - Standard Bauhöhe
 type7-03 - Standard Assembly Height

Dimension no.	Tolerances	Scale	5:1
	ISO 8015	Material	
Customer drawing:	Subject to modification without prior notice. Drawing will not be updated.		Messeri. SMC-B 40-SMD-BA7-03 Male SMC-B 40-SMD-type7-03
All rights reserved. Only for information. To ensure that this is the latest version of this drawing, please contact one of the ERNI companies before using.		ERNI International AG Zürichstrasse 72 8306 Brüttisellen - Zürich Switzerland	354097
d	18.02.2020		I
Index	Date		A2
		Class	SMCB

Wichtigste Vereinfachung dieses Dokuments, Verwertung und Mitteilung dieses Inhalts sind...
 Die deutsche Version dieser Zeichnung dient nur zur Erläuterung der...
 The german version of this drawing has been drawn for convenience only...
 In case of any deviation the English version shall prevail.