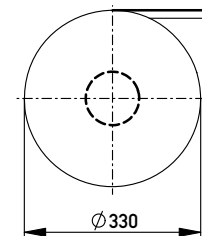
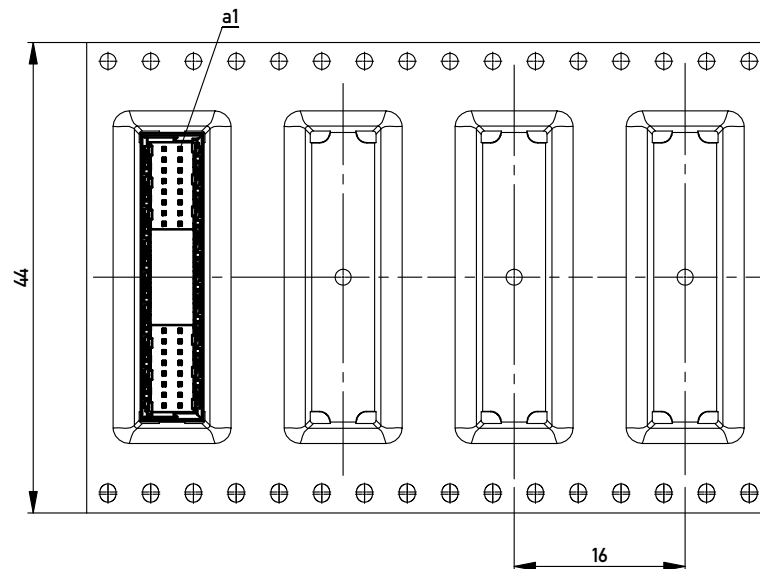
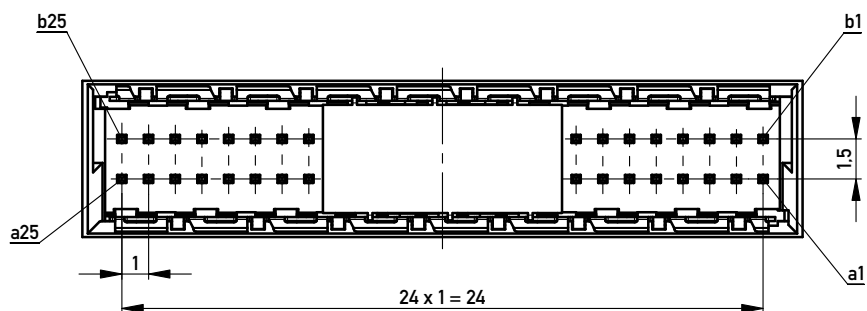


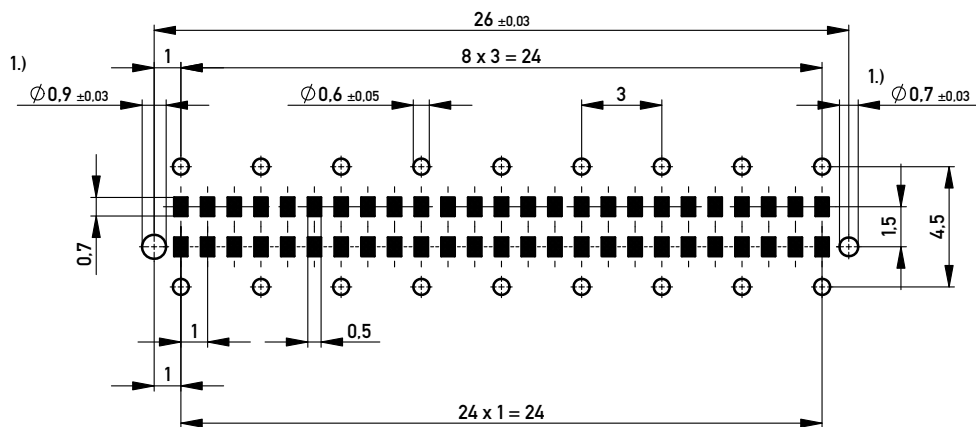
Verpackt im Gurt nach DIN IEC 60286-3
 Tape on Reel Packaging according to DIN IEC 60286-3
 Verpackungseinheit: 400 Stück
 Packaging unit: 400 pcs



Abspulrichtung - Reel off Direction →



Leiterplatten-Layout Vorschlag / PCB-Layout proposal



Anforderungsstufe 1
 Performance Level 1

Kontaktbereich vergoldet
 Mating Area gold plating

Anschlussbereich verzinkt 4-6 µm
 Terminal Area 4-6 µm tin plating

Koplanarität der Anschlüsse ≤ 0.1 mm
 Coplanarity Area of Termination ≤ 0.1 mm

1.) Durchmesser des Bohrers / drill tool

Bedruckungsvorschrift siehe Zeichnung: 354630
 printspecification see drawing: 354630

Information:	Tolerances	 All Dimensions in mm	Scale	5:1
	All rights reserved. Only for Information. To ensure that this is the latest version of this drawing, please contact one of the ERNI companies before using.			
Subject to modification without prior notice. Drawing will not be updated.		Designation Messerleiste 2mm THR, 50 polig Male 2mm THR, 50 contacts		
		www.ERNI.com		224558
i	28.01.2014	Class		MSPEED
Index	Date			I A3

Copyright by ERNI GmbH. Proprietary notice pursuant to ISO 9006 to be observed.