



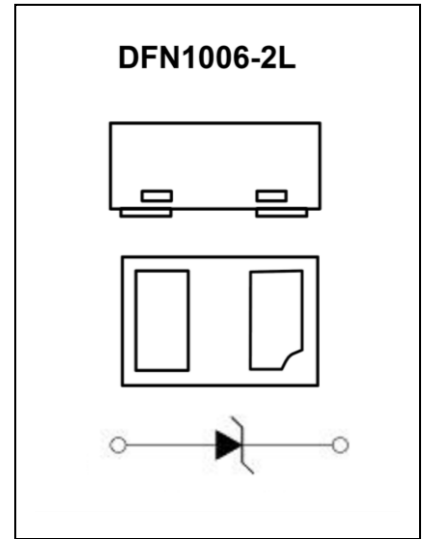
B1040A1 Schottky Barrier Diode

Feature

- Low Forward Voltage Drop
- Very Small SMD Package

Application

- Low Voltage Rectification
- High Efficiency DC/DC Conversion
- Switch Mode Power Supply
- Inverse Polarity Protection
- Low Power Consumption Applications



MARKING:



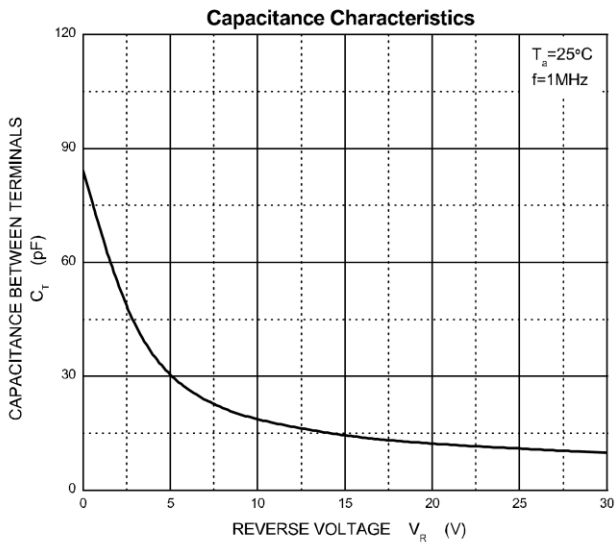
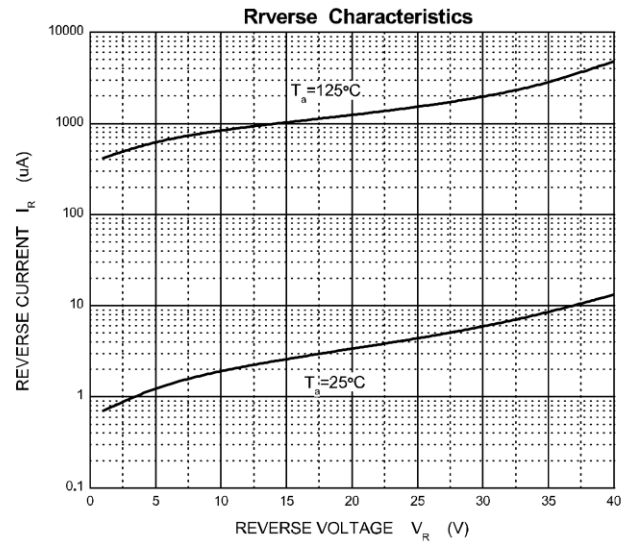
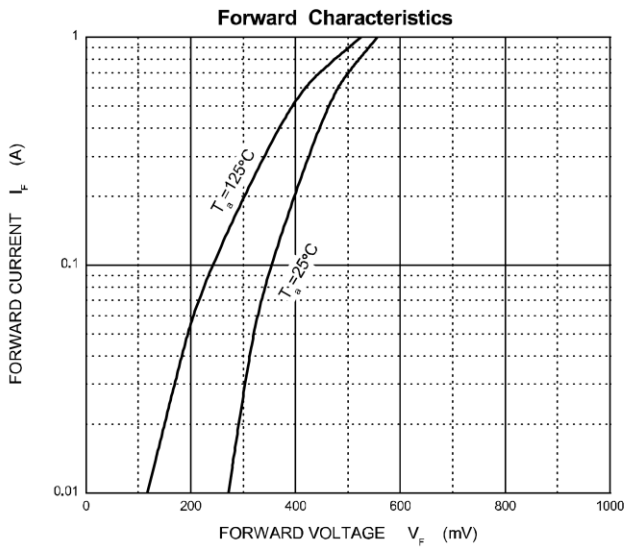
ABSOLUTE MAXIMUM RATINGS (T_a=25°C unless otherwise noted)

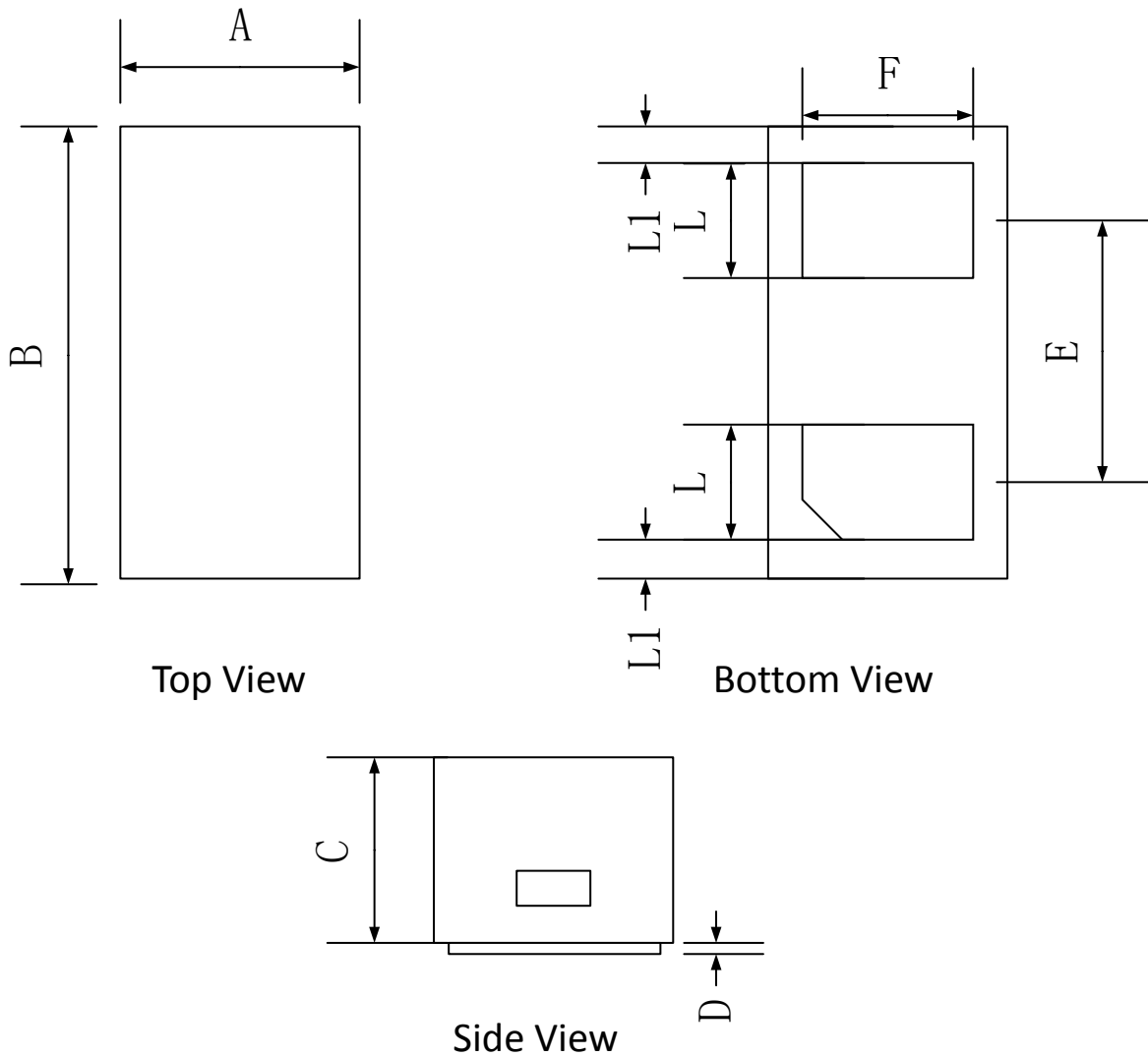
Parameter	Symbol	Value	Unit
DC reverse voltage	V _R	40	V
Mean rectifying current	I _o	1	A
Non-repetitive Peak Forward Surge Current @ t=8.3ms	I _{FSM}	7	A
Power Dissipation	P _D	0.5	W
Thermal Resistance from Junction to Ambient	R _{θJA}	250	°C/W
Junction Temperature	T _J	150	°C
Storage Temperature	T _{STG}	-55 ~ +150	°C

ELECTRICAL CHARACTERISTICS (T_a=25°C unless otherwise noted)

Parameter	Symbol	Test Condition	Min	Type	Max	Unit
Reverse voltage	V _{BR}	I _R = 1mA	40			V
Reverse current	I _R	V _R = 40V		10	40	μA
Forward voltage	V _F	I _F = 0.1A		0.35	0.38	V
		I _F = 0.2A		0.37	0.40	V
		I _F = 0.5A		0.42	0.49	V
		I _F = 0.7A		0.47	0.55	V
		I _F = 1A		0.51	0.61	V
Total capacitance	C _{tot}	V _R =10V, f=1MHz		19		pF

Typical Characteristics

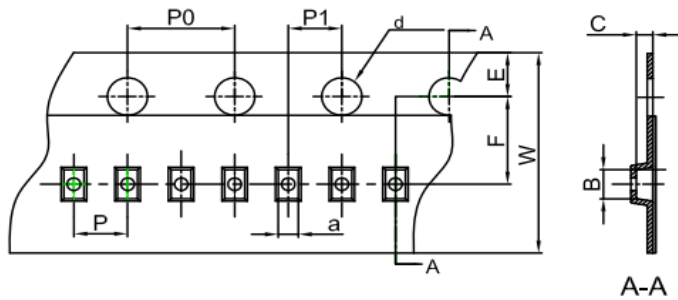


DFN1006-2L Package Outline Dimensions


	Dimensions In Millimeters		
	Min.	Typ.	Max.
A	0.55	0.60	0.68
B	0.95	1.00	1.08
C	0.34	0.37	0.40
D	0.00	0.03	0.05
E	-	0.65	-
F	0.40	0.50	0.60
L	0.20	0.25	0.30
L1	0.05REF		

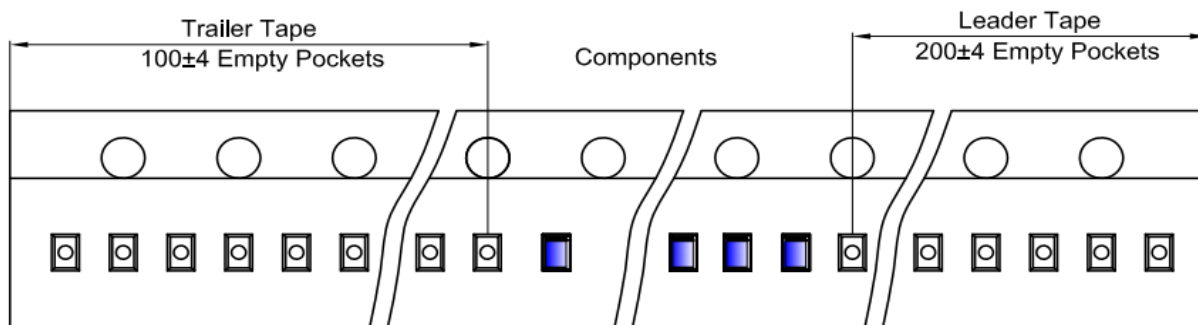
DFN1006-2L Tape and Reel

DFN1006-2L Embossed Carrier Tape



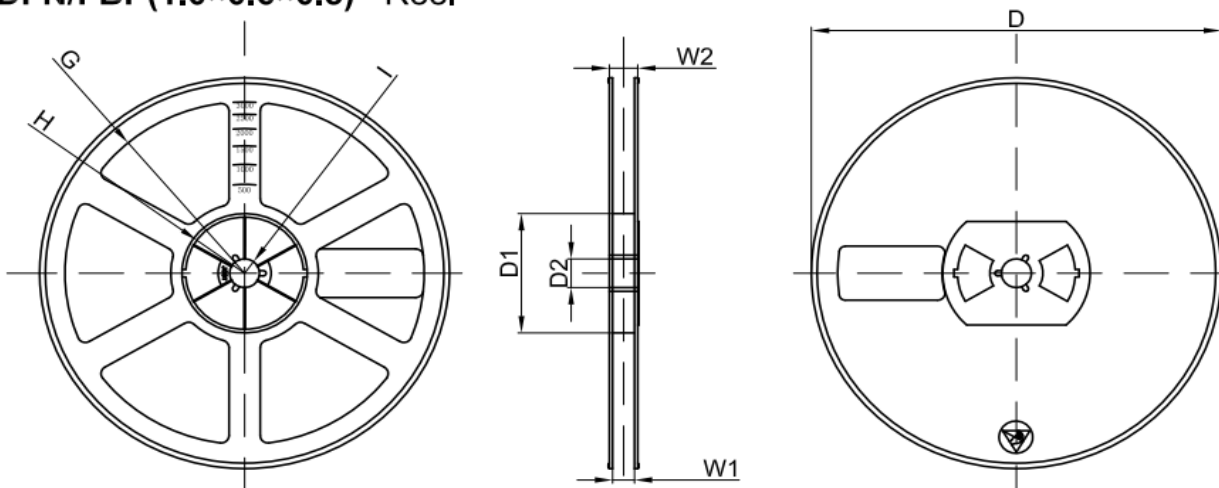
Dimensions are in millimeter										
Pkg type	a	B	C	d	E	F	P0	P	P1	W
DFN1006-2L	0.66	1.15	0.66	Ø1.50	1.75	3.50	4.00	2.00	2.00	8.00

DFN1006-2L Tape Leader and Trailer



DFN1006-2L Reel

DFN/FBP(1.0×0.6×0.5) Reel



Dimensions are in millimeter								
Reel Option	D	D1	D2	G	H	I	W1	W2
7" Dia	Ø178.00	54.40	13.00	R78.00	R25.60	R6.50	9.50	12.30

REEL	Reel Size	Box	Box Size(mm)	Carton	Carton Size(mm)	G.W.(kg)
10000 pcs	7 inch	150,000 pcs	203×203×195	600,000 pcs	438×438×220	