



晶创和立科技 A906009

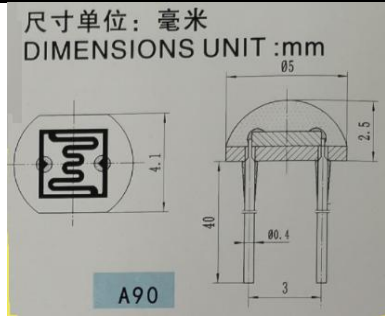
MINIATURE CADMIUM SULPHIDE PHOTOCONDUCTIVE CELL



FEATURES

- Miniature open frame package
- Epoxy coated
- Moisture resistant
- Spectral response similar to the human eye
- Applications include dusk-dawn lighting control

LIGHT DEPENDENT RESISTOR



Dimensions in millimetres

SPECIFICATION AND PERFORMANCE

Model	Vmax (VDC)	Pmax (mW)	Ambient temp(°C)	Spectral peak (nm)	Light Resistance at 10Lux (KΩ)	Dark Resistance (MΩ)	Gamma a value at 100-10Lux	Response Time (ms)	
								Rise Time	Decay time
A906009	100	90	-30~+70	600	4-11	0.12	0.65	30	30

测试条件

1.亮电阻: 用400-600Lux光照射60-90分钟后, 在标准光源A(色温2854K)下, 用10Lux光测量。

2.暗电阻: 关闭10Lux光照后第10秒的电阻值(特别注明除外)。

3.γ: 是指10Lux和100Lux照度下的标准值。

$$Y = \frac{\lg(R_{10}/R_{100})}{\lg(100/10)} = \lg(R_{10}/R_{100})$$

R10、R100分别为10Lux和100Lux照度下的电阻值。

γ的公差为±0.15。

4.最大功率损耗: 环境温度为25℃时的最大功率。

5.最大外加电压: 在黑暗中可连续施加给元件的最大电压。

焊接条件

1.焊接温度: 小于260℃

2.焊接时间: 不大于3秒

3.焊接距离(距离基板底部): 大于3mm

注:

1.本规格书所列型号为常规型号, 可根据客户需求特别定制。

2.请在规格要求范围内使用, 严禁超负荷使用。

Measuring Conditions

1. Light resistance: Measured at 10 Lux with standard light A (2854K color temperature) and 60-90minutes illumination at 400-600 Lux prior testing.

2.Dark Resistance: Measured 10 seconds after closed 10 Lux (The special notes are not included) .

3.Gamma Characteristic: Between 10 lux and 100 lux and given by

$$Y = \frac{\lg(R_{10}/R_{100})}{\lg(100/10)} = \lg(R_{10}/R_{100})$$

R10、R100 Cell resistance at 10 lux and 100 lux.

The error of γ is ±0.15

4.P max: Max. Power dissipation at ambient temperature of 25 °C.

5.V max: Max. Voltage in darkness that may be applied to the cell continuously.

Soldering condition requirements:

1.temperature:less than 260

2.Time:equal or less than 3 seconds

3.Distance from case:more than 3mm

Notes :

1.Here listed types are common ones and customized selections available on request.

2. Please use it within the specifications requirements.No overload is allowed.

SHENZHEN JINGCHUANGHELI TECHNOLOGY CO., LTD.

Tel:+86-755-23210829 Fax:+86-755-23210825

[Http://www.szjchl.com/](http://www.szjchl.com/)

E-mail:mk0622@163.com.