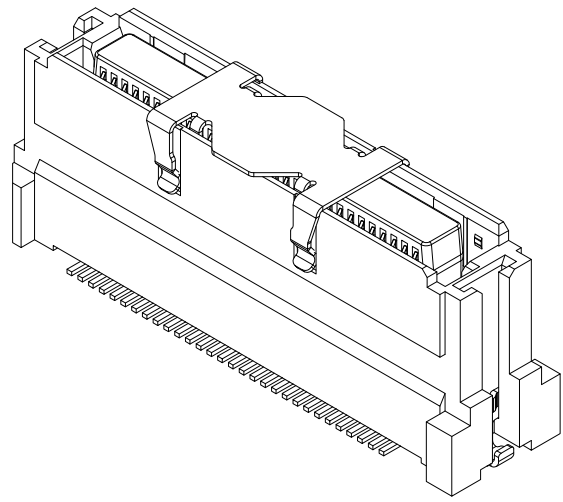
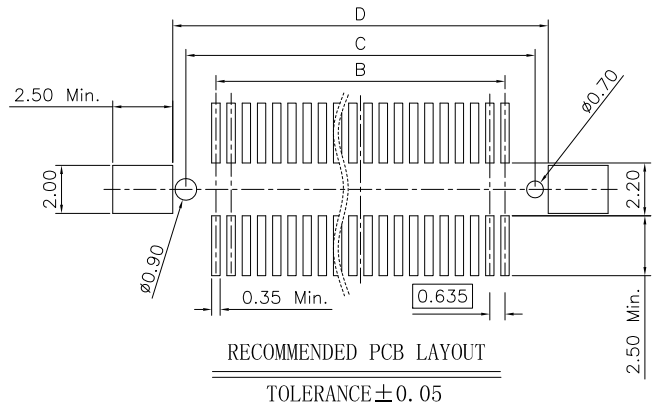
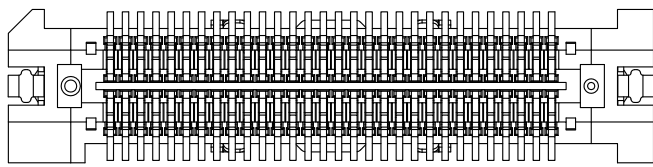
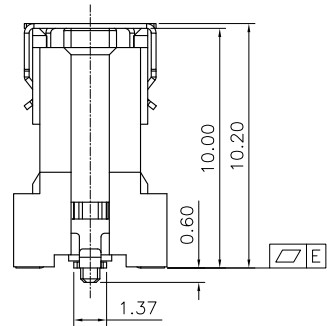
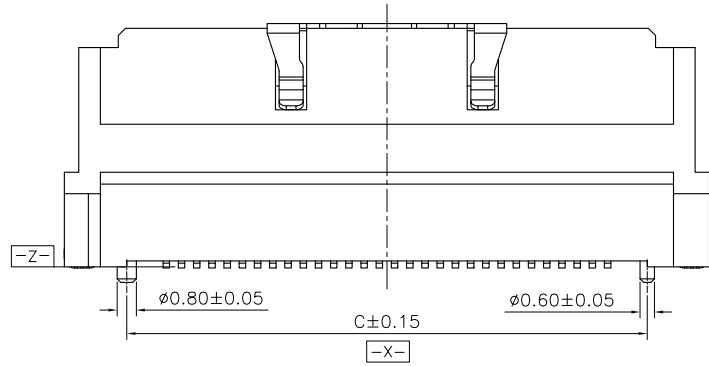
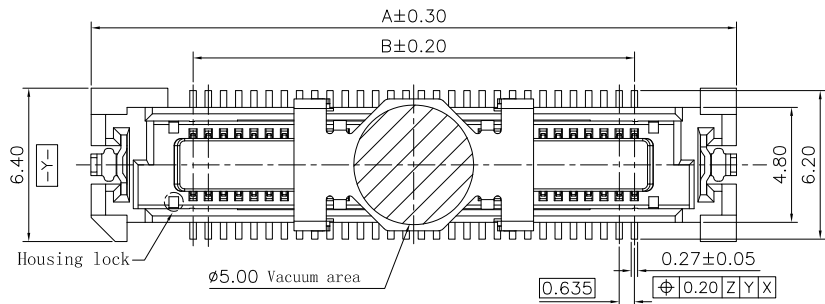


REV.	ECN Number	Description	Drawn
1	CS19060043	RELEASE	Peak_2018.06.19



- NOTES: (UNLESS OTHERWISE SPECIFIED)
1. DIMENSION SHALL BE INTERPRETED PER ANSI Y14.5M-1994.
  2. MATERIAL:  
HOUSING MATERIAL: HIGH TEMPERATURE PLASTICS.  
CONTACT & CLIP MATERIAL: COPPER ALLOY.  
VACUUM COVER MATERIAL: STAINLESS STEEL.
  3. PRODUCT NUMBER MATRIX:

B A 3 2-XX A T-1 X -X X X  
 BTB Series code  
 0.635 Pitch  
 Receptacle  
 PIN No.  
 20~90:20~90PIN  
 A0:100PIN ; G0:160PIN  
 C0:120PIN ; I0:180PIN  
 E0:140PIN ; K0:200PIN  
 Height  
 A: H=10.00mm  
 Soldering Type  
 T:SMT  
 1:With Chamfer  
 Housing Color  
 Null:Nature  
 B:Black

Packing:  
 B:REEL+MPAD  
 Q:HOT SEALING REEL+MPAD  
 H:Halogen free  
 F:High temperature thermoplastic  
 Contact plating

Definition	Code
◎ Gold plated over all	
flash B 1u" R 3u" C	
5u" D 10u" E 15u" F	
20u" G 25u" H 30u" J	
◎ Duplex plated	
flash K 1u" S 3u" L	
5u" M 10u" N 15u" P	
20u" Q 25u" T 30u" U	
◎ All plated is lead free.	

CKT	DIM.A	DIM.B	DIM.C	DIM.D	DIM.E	HOUSING LOCK
20	14.22	5.715	9.02	10.62	0.10	YES
30	17.395	8.89	12.195	13.795		
40	20.57	12.065	15.37	16.97		
50	23.745	15.24	18.545	20.145		
60	26.92	18.415	21.72	23.32		
70	30.095	21.59	24.895	26.495	0.12	NO
80	33.27	24.765	28.07	29.67		
90	36.445	27.94	31.245	32.845		
100	39.62	31.115	34.42	36.02		
120	45.97	37.465	40.77	42.37		
140	52.32	43.815	47.12	48.72		
160	58.67	50.165	53.47	55.07		
200	71.37	62.865	66.17	67.77		



ShenZhen ShenTai weixiang Electronics Co., Ltd.

TOLERANCE UNLESS OTHERWISE SPECIFIED			
X.X	±0.30	X.°	±3°
X.XX	±0.20	X.X°	±2°
X.XXX		X.XX°	±1°

SCALE	1:1
UNIT	mm
SIZE	A4

ORIGINAL DRAWN: Peak  
 CHECK: Xu peiguang  
 APPROVE: Ady zhou

DATE 2019.06.19  
 DATE 2019.06.19  
 DATE 2019.06.19

DWG. NO. 600-0000-0477  
 PARTS NO. (INTENDED USE) BA32-XXAT-1X-XXX

TITLE  
 BA32-XXAT  
 CUSTOMER DRAWING

REV. 1  
 SHEET 1/1