

# SWITCHES

**Operation:** DIP+SMT/卧式 小型 轻触开关 [柄长/操作力可定制]



**LTEM NO.:** TS-1814-\*\* (Series)

(L3.4×W4.5×H3.3 TACT-SWITCH)

表面貼裝+DIP

側向操作

精密部品 NICETY

可靠 STABILIZE

適合環保 RoHS

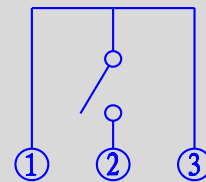


## Technical parameter

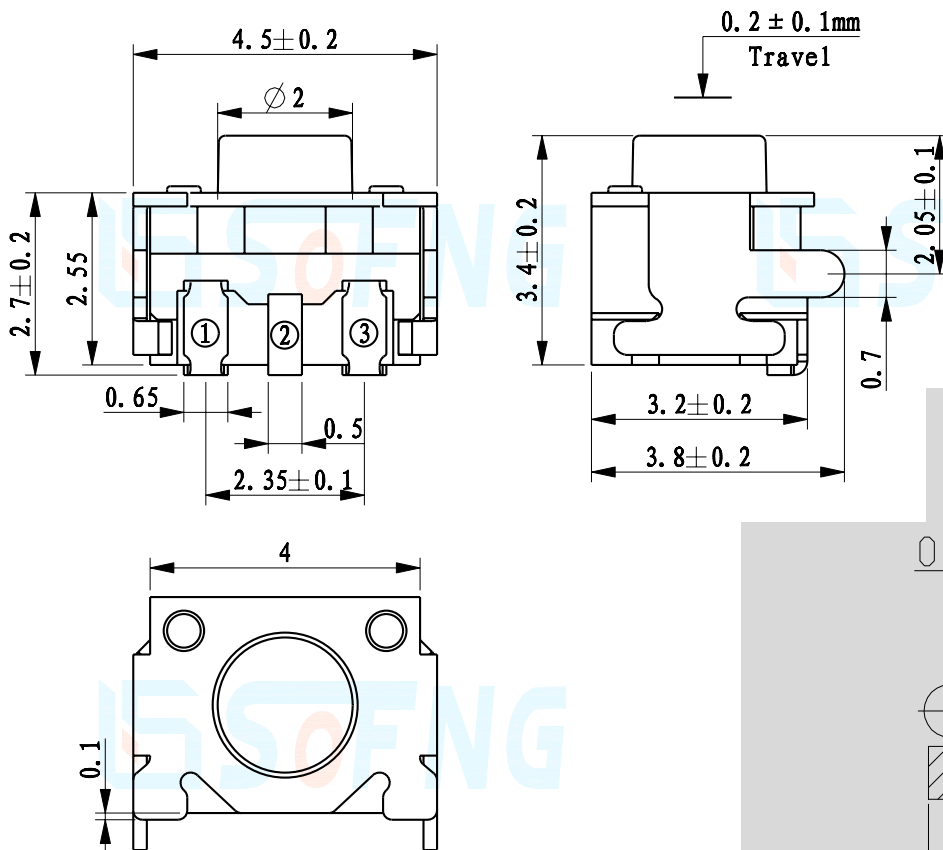
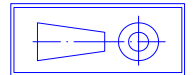
| PROJECT | LEVEL                 | A[better product]          |  | B[average product]                          |  |   |
|---------|-----------------------|----------------------------|--|---|--|---|
|         |                       |                            |  |   |  |   |
|         | Electrical Properties | Contact Rating             |  |   |  | 50mA, 24V DC                              |
|         |                       | Initial Contact Resistance |  |   |  | 50mΩ max.                                 |
|         |                       | Insulation Resistance      |  | Skey/PD: 100MΩ min.300V DC                  |  |   |
|         |                       | Withstand Voltage          |  | 500V AC for 1 minute   350 V AC for 1 minut |  |   |
|         | Durable Performance   | There No Load              |  | 115,000 Cycles   100,000 Cycles             |  |   |
|         |                       | Rated Load                 |  | 100,000 Cycles   850,000 Cycles             |  |   |
|         |                       | Storage temp.              |  |   |  | -40℃~+85℃(Operating Temp: )               |
|         |                       | Operating Force            |  |   |  | 1.6 / 2.6N. (1N.=100gram-force)           |
|         |                       | Heat Rrsistance            |  |   |  | IR Reflow:255℃, 5sec. Manual :350℃, 3sec. |

| Material declaration |      |                         |
|----------------------|------|-------------------------|
| No.                  | NAME | Description             |
| ① A                  | 拨柄   | PA66 (白色)尼龙塑胶           |
| ② B                  | 基座   | PA6T (Black)耐热塑胶        |
| ③ C                  | 盖板   | SUS 不锈钢 Q235-A          |
| ④ D                  | 簧片   | 镀银&磷青铜 C5191/不锈钢 SUS304 |
| ⑤ E                  | 嵌件   | 镀银&C5191R-H 磷青铜[镀锡]     |

## CIRCUIT DIAGRAM



Unit:mm



| DECIMALS    | ANGLES       |
|-------------|--------------|
| .X :±0.15   | X.° :±1.5°   |
| .XX :±0.10  | X.X° :±1.0°  |
| .XXX :±0.05 | .XXX° :±0.5° |

