

Operation: SMT/卧式 导边 2.0USB 连接器 (Type-A)

RoHS Compliant

LTEM NO.: USB-302S (Series)

(L14.5×W13.1×H6.9 2.0-USB-CONNECTORS)

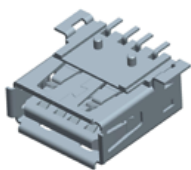
表面贴装 SMT

侧向操作

精密部品 NICETY

可靠 STABILIZE

適合环保 RoHS



Technical parameter

PROJECT	LEVEL	A[better product]	B[average product]
Electrical	Contact Rating	0.25A, 24V DC	
	Initial Contact Resistance	50mΩ max.	
Properties	Insulation Resistance	100MΩ min.500V DC	Skey/PD: 100MΩ min.300V DC
	Withstand Voltage	500V AC for 1 minute	350 V AC for 1 minut
Durable Performance	There No Load	6,000 Cycles	5,000 Cycles
	Rated Load	5,000 Cycles	4,000 Cycles
Storage temp.		-35℃~+75℃(Operating Temp:)	
Operating Force		IF:20N MAX. (EF:10.0N MIN.)	
Heat Rrsistance		IR Reflow:255℃, 5sec. Manual:350℃, 3sec.	

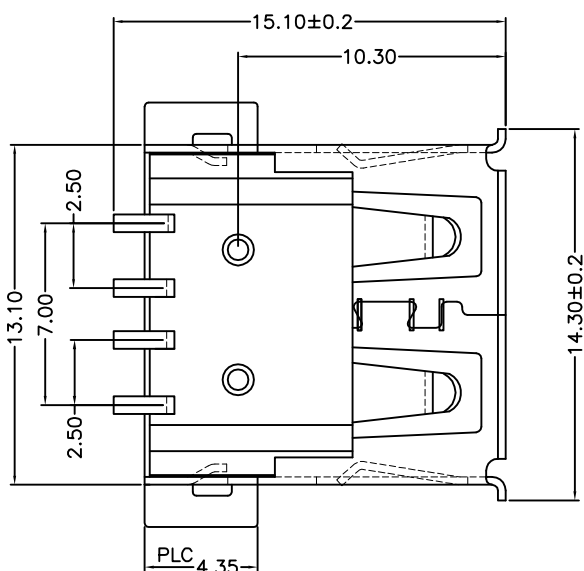
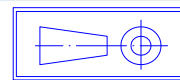
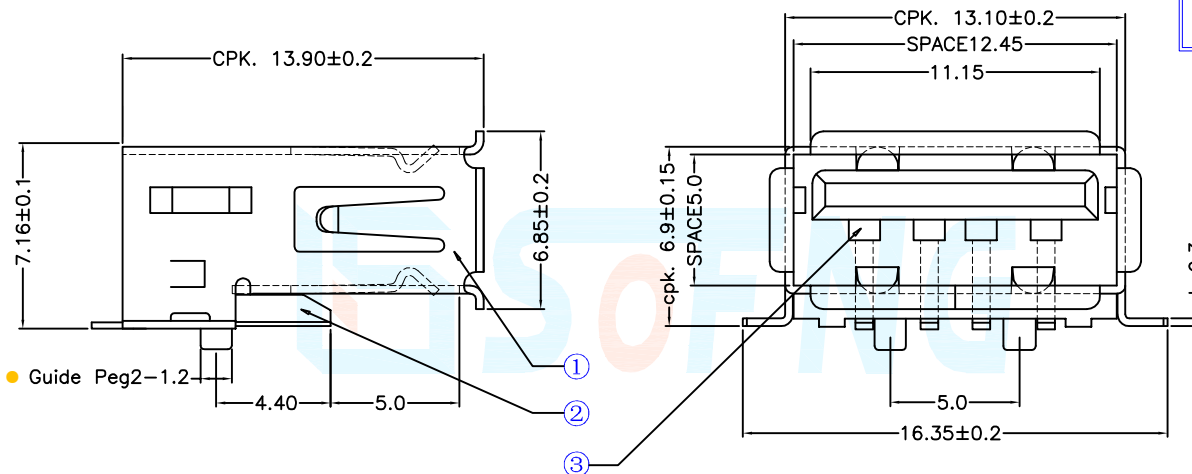
Material declaration

No.	NAME	Description
① A	外壳	黄铜 C2680/SPCC [镀镍 50u" min]
② B	胶芯	LCP 30% UL94V-0 耐热塑胶
③ C	接触端子	磷铜 C5191 (镀金 1u" /焊尾雾锡)

PIN SIGNAL

1	VCC	+5V
2	-DATA 0	Neagative Data Channel 0
3	+DATA 0	Positive Data Channel 0
4	GND	Ground

Unit:mm



P.C.B LAYOUT

