

SWITCHES

Operation: DIP/插件式 中型 轻触开关 [柄长可定制]



LTEM NO.:TS-1102

(Series)

(L6.0×W6.0 TACT-SWITCH)

表面插装 DIP

正向操作 DOWN

精密部品 NICETY

可靠 STABILIZE

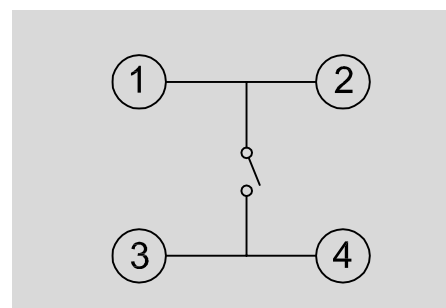
適合環保 RoHS



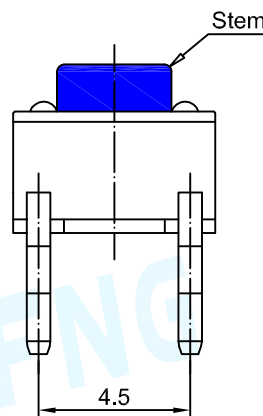
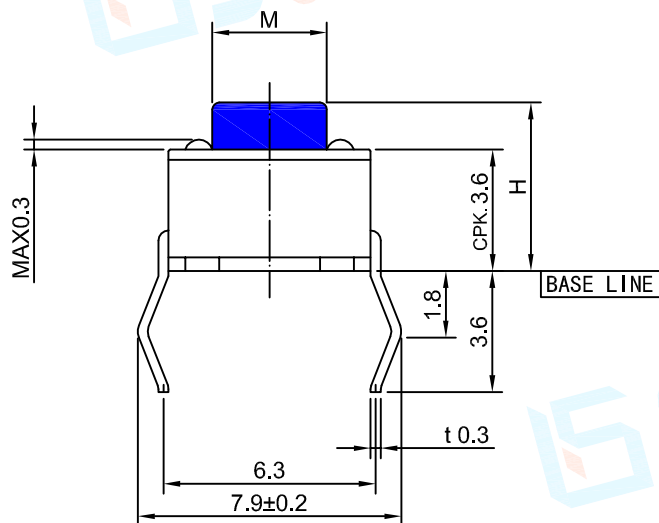
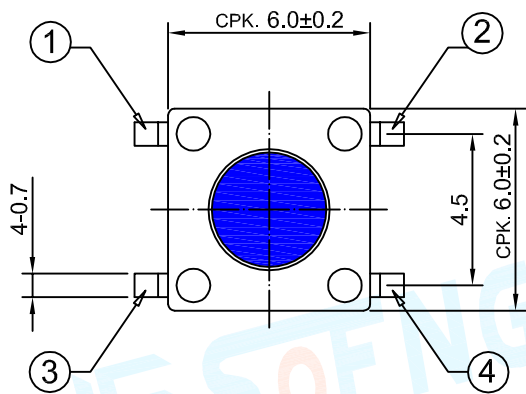
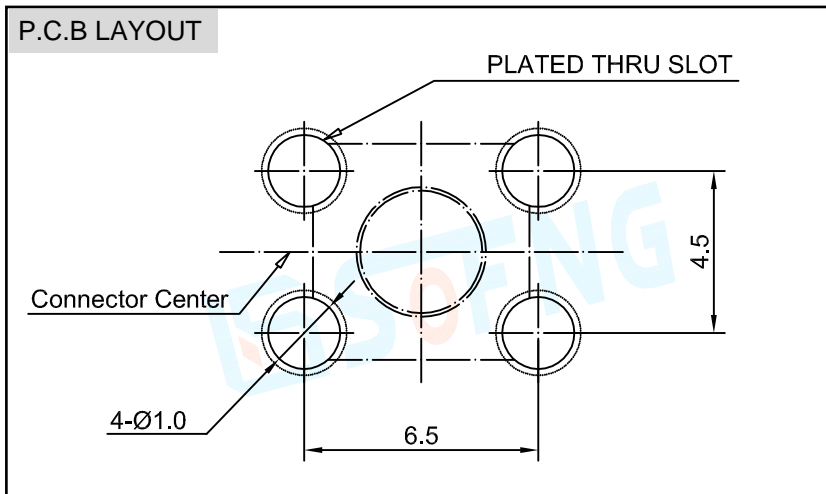
Technical parameter

PROJECT	LEVEL	A[better product]	B[average product]
	Contact Rating	25mA, 24V DC	
Electrical	Initial Contact Resistance	30mΩ max.	50mΩ max.
Properties	Insulation Resistance	100MΩ min.500V DC	Skey/PD: 100MΩ min.300V DC
	Withstand Voltage	500V AC for 1 minute	350 V AC for 1 minut
Durable Performance	There No Load	115,000 Cycles	100,000 Cycles
	Rated Load	100,000 Cycles	850,000 Cycles
	Storage temp.	-40℃~+85℃(Operating Temp:)	
	Operating Force	1.6 / 2.6N. (1N.=100gram-force)	
	Heat Rrsistance	IR Reflow:255℃,5sec.	Manual:350℃,3sec.

Material declaration		
No.	NAME	Description
① A	拨柄	PA6T (Black)热塑性
② B	基座	PA6T (Black)热塑性
③ C	盖板	不锈钢 Q235-A
④ D	簧片	镀银&磷青铜 C5191
⑤ E	嵌件	镀银&黄铜



Unit:mm



H
4.3mm
5.0mm
5.5mm
6.0mm
~
21.0mm