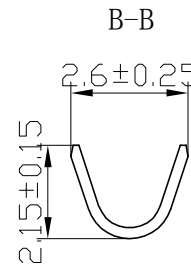
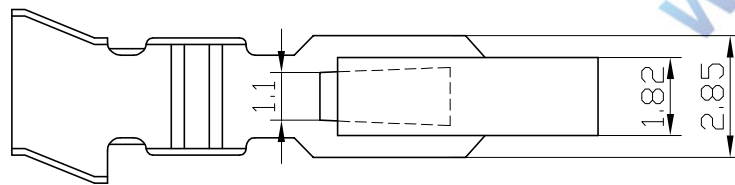
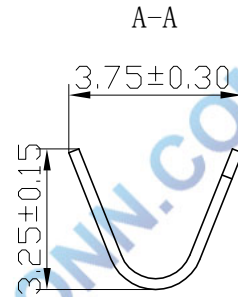
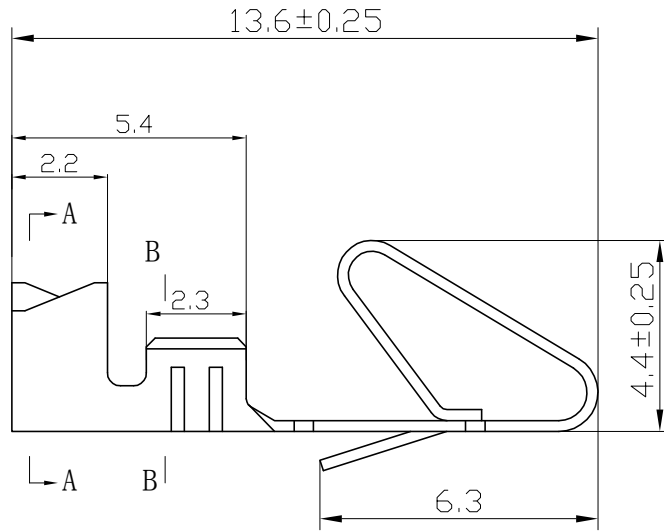


环保物料

TEL: 0769-82001899



**SPECIFICATIONS**

- 1. Voltage rating: 250V AC, DC
- 2. Current rating: 7A, AC, DC
- 3. Withstanding Voltage: 1500V AC/minute
- 4. Insulation resistance: 1000M min
- 5. Temperature range: -25 °C ~ +85 °C
- 6. Contact resistance: 10m max

**TERMINAL**

Material: Phosphor Bronze or Brass  
 Finish: Plated Tin or Plated Gold  
 Applicable wire: AWG#18-#24  
 Used in: P3961 SERIES HOUSING  
 Qty/Reel: 6000PCS  
 Part No.: T3961PS-2

00=镀金 2=镀锡

WWW.XFCNN.COM

				TOLERANCE UNLESS OTHERWISE		DRAWN	CK tan	<b>XFCN兴飞连接器有限公司</b> CONNECTORS XFCN CONNECTORS CO., LTD.		SHEET	1/1	
				X.	±0.30	X°	±5°			CHKD	DATE	2010. 4. 12
				.X	±0.20	.X°	±2°	APPD	PRODUCT NAME	3.96mm Crimp Style Connectors	UNITS	mm
				.XX	±0.08	.XX°	±1°	VIEW	PART. NO.	T3961PS-2	SCALE	1:1
				.XXX	±0.03	.XXX°	±0.5°				DWG. NO.	009
AO	MODIFICATION	DRAW	DATE									