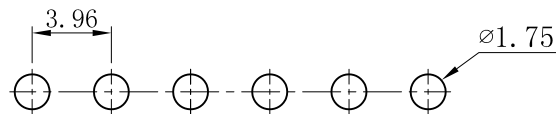
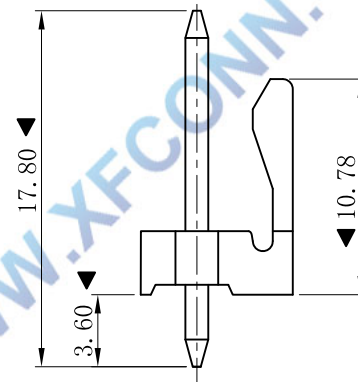
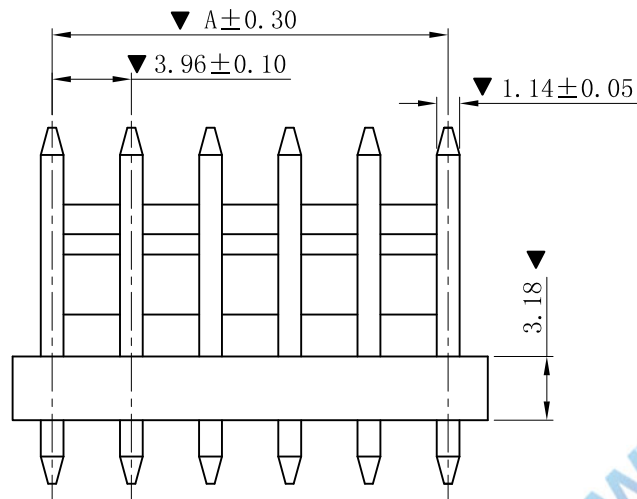
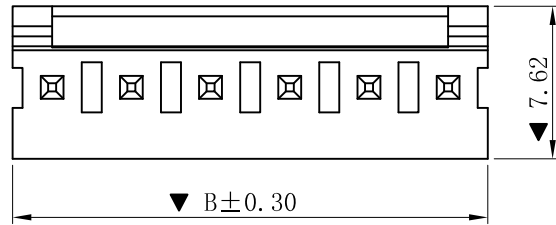


■ SPECIFICATIONS

- Voltage rating: 250V AC, DC
- Current rating: 5A, AC, DC
- Withstanding Voltage: 1500V AC/minute
- Insulation resistance: 1000MΩ min
- Temperature range: -25° C ~ +85° C
- Contact resistance: 20mΩ max



P. C. B. LAYOUT

| Poles | Dimensions (mm) |       |
|-------|-----------------|-------|
|       | A               | B     |
| 02    | 3.96            | 7.92  |
| 03    | 7.92            | 11.88 |
| 04    | 11.88           | 15.84 |
| 05    | 15.84           | 19.80 |
| 06    | 19.80           | 23.76 |
| 07    | 23.76           | 27.72 |
| 08    | 27.72           | 31.68 |
| 09    | 31.68           | 35.64 |
| 10    | 35.64           | 39.60 |
| 11    | 39.60           | 43.56 |
| 12    | 43.56           | 47.52 |
| 13    | 47.52           | 51.48 |
| 14    | 51.48           | 55.44 |
| 15    | 55.44           | 59.40 |
| 16    | 59.40           | 63.36 |
| 17    | 63.36           | 67.32 |
| 18    | 67.32           | 71.28 |
| 19    | 71.28           | 75.24 |
| 20    | 75.24           | 79.20 |

|    |              |  |      |                            |            |       |                 |  |              |                               |      |
|----|--------------|--|------|----------------------------|------------|-------|-----------------|--|--------------|-------------------------------|------|
|    |              |  |      | TOLERANCE UNLESS OTHERWISE |            | DRAWN | CK tan          | XFCN 兴飞连接器有限公司<br>CONNECTORS XFCN CONNECTORS CO., LTD. |              | SHEET                         | 1/1  |
|    |              |  |      | X.                         | $\pm 0.30$ | X°    | $\pm 5^\circ$   |  |              | CHKD                          | DATE |
|    |              |  |      | .X                         | $\pm 0.20$ | .X°   | $\pm 2^\circ$   | APPD   | PRODUCT NAME | 3.96mm Crimp Style Connectors |      |
|    |              |  |      | .XX                        | $\pm 0.08$ | .XX°  | $\pm 1^\circ$   | VIEW   | PART. NO.    | M3965V-XX-N0                  |      |
|    |              |  |      | .XXX                       | $\pm 0.03$ | .XXX° | $\pm 0.5^\circ$ |  |              | DWG. NO.                      | 009  |
| AO | MODIFICATION |  | DRAW | DATE                       |            |       |                 |  |              |                               |      |