

环保物料

TEL:0769-82001899

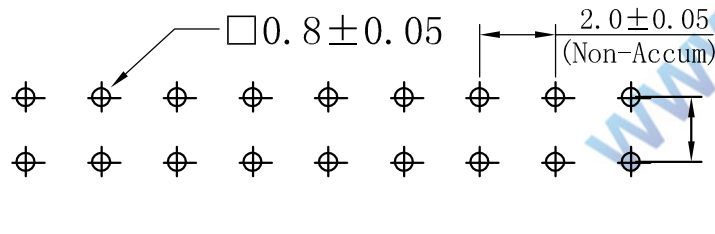
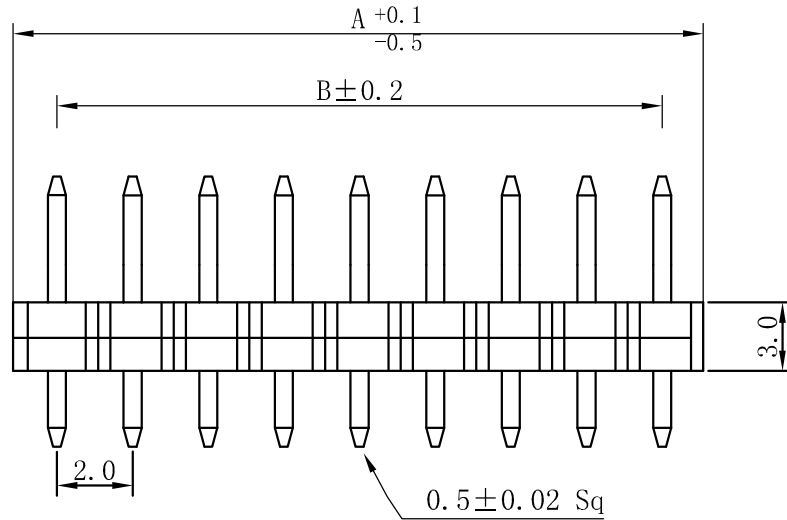
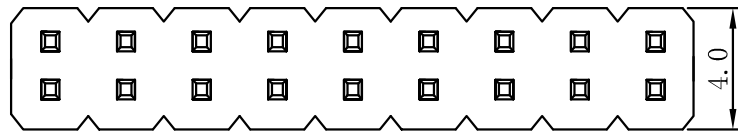
SPECIFICATIONS

Current Rating: 3Amps
 Insulator resistance: 5000 Megchms min.
 Dielectric Withstanding: AC 500v
 Operating Temperature: $\sim 40^{\circ}$ +105 $^{\circ}$ C
 Contact Material: Brass
 Insulator Material: PA6T
 Plating: Glod flash

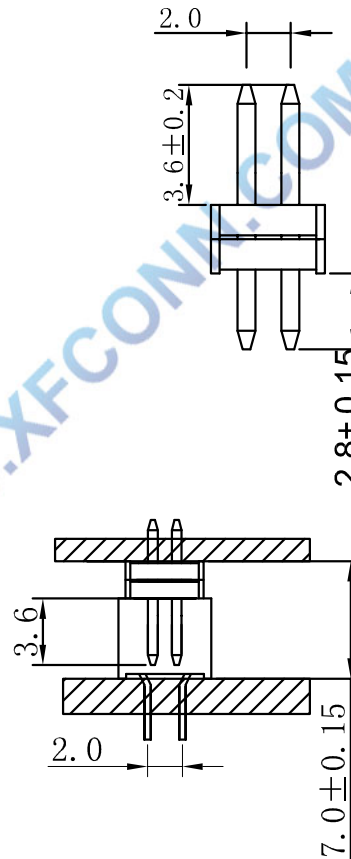
UNSPECIFIED TOLERANCE: ± 0.20

Dimensions list

Contacts Per row	Dimensions		Contacts Per row	Dimensions	
	A	B		A	B
1	2.0	0	21	42.0	40.0
2	4.0	2.0	22	44.0	42.0
3	6.0	4.0	23	46.0	44.0
4	8.0	6.0	24	48.0	46.0
5	10.0	8.0	25	50.0	48.0
6	12.0	10.0	26	52.0	50.0
7	14.0	12.0	27	54.0	52.0
8	16.0	14.0	28	56.0	54.0
9	18.0	16.0	29	58.0	56.0
10	20.0	18.0	30	60.0	58.0
11	22.0	20.0	31	62.0	60.0
12	24.0	22.0	32	64.0	62.0
13	26.0	24.0	33	66.0	64.0
14	28.0	26.0	34	68.0	66.0
15	30.0	28.0	35	70.0	68.0
16	32.0	30.0	36	72.0	70.0
17	34.0	32.0	37	74.0	72.0
18	36.0	34.0	38	76.0	74.0
19	38.0	36.0	39	78.0	76.0
20	40.0	38.0	40	80.0	78.0



PCB Layout



				TOLERANCE UNLESS OTHERWISE		DRAWN	CK tan	XFCN兴飞连接器有限公司 CONNECTORS XFCN CONNECTORS CO., LTD.		SHEET	1/1
				X.	± 0.30	X $^{\circ}$	$\pm 5^{\circ}$			CHKD	DATE
				.X	± 0.20	.X $^{\circ}$	$\pm 2^{\circ}$	APPD	PRODUCT NAME	2.00mm Pin Header Connectors	
				.XX	± 0.08	.XX $^{\circ}$	$\pm 1^{\circ}$	VIEW	PART. NO.	SCALE	1:1
				.XXX	± 0.03	.XXX $^{\circ}$	$\pm 0.5^{\circ}$			DWG NO.	009
AO	MODIFICATION	DRAW	DATE								