

**VXH SERIES**
**105°C 5000 hours, Miniaturized**

\*Load Life : 105°C 5000 hours.

 RoHS  
compliance

**◆SPECIFICATIONS**

Items	Characteristics								
Category Temperature Range	-25~+105°C								
Rated Voltage Range	200~450Vdc								
Capacitance Tolerance	±20% (20°C, 120Hz)								
Leakage Current(MAX)	$I=3\sqrt{CV}$ (After 5 minutes application of rated voltage) $I$ =Leakage Current( $\mu$ A) $C$ =Capacitance( $\mu$ F) $V$ =Rated Voltage(Vdc)								
Dissipation Factor(MAX) (tan $\delta$ )	0.2 (20°C, 120Hz)								
Endurance	After applying rated voltage with rated ripple current for 5000 hours at 105°C, the capacitors shall meet the following requirements. <table border="1" style="width: 100%; margin-top: 5px;"> <tr> <td>Capacitance Change</td> <td>Within ±20% of the initial value.</td> </tr> <tr> <td>Dissipation Factor</td> <td>Not more than 200% of the specified value.</td> </tr> <tr> <td>Leakage Current</td> <td>Not more than the specified value.</td> </tr> </table>	Capacitance Change	Within ±20% of the initial value.	Dissipation Factor	Not more than 200% of the specified value.	Leakage Current	Not more than the specified value.		
Capacitance Change	Within ±20% of the initial value.								
Dissipation Factor	Not more than 200% of the specified value.								
Leakage Current	Not more than the specified value.								
Low Temperature Stability Impedance Ratio(MAX)	<table border="1" style="width: 100%; margin-top: 5px;"> <tr> <td>Rated Voltage (Vdc)</td> <td>200~250</td> <td>315~450</td> <td>(120Hz)</td> </tr> <tr> <td>Z(-25°C)/Z(20°C)</td> <td>3</td> <td>8</td> <td></td> </tr> </table>	Rated Voltage (Vdc)	200~250	315~450	(120Hz)	Z(-25°C)/Z(20°C)	3	8	
Rated Voltage (Vdc)	200~250	315~450	(120Hz)						
Z(-25°C)/Z(20°C)	3	8							

**◆MULTIPLIER FOR RIPPLE CURRENT**

Frequency (Hz)	Coefficient	60(50)	120(100)	300	500	1k	10k $\leq$
		200~250Vdc	0.80	1.00	1.15	1.20	1.30
315~450Vdc	0.80	1.00	1.15	1.20	1.25	1.40	

**◆OPTION**

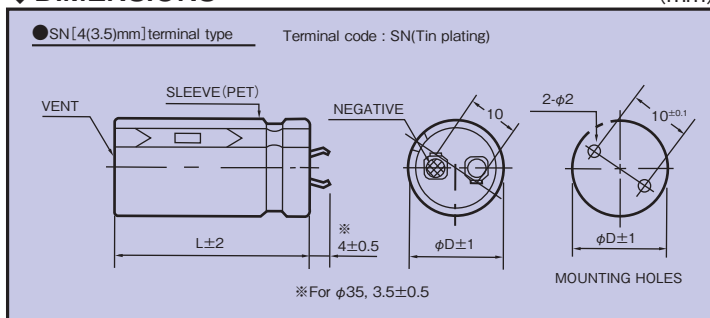
Option	Code
PET Sleeve without plate	EFC

**◆PART NUMBER**

□□□	VXH	□□□□□	M	□□□	SN	DXL
Rated Voltage	Series	Capacitance	Capacitance Tolerance	Option	Terminal Code	Case Size

**◆DIMENSIONS**

(mm)



**◆ STANDARD SIZE**

Cap(μF) Vdc φD	200				220											
	φ22	φ25	φ30	φ35	φ22	φ25	φ30	φ35								
270					22×25	1.33										
330	22×25	1.41			22×30	1.55										
390	22×30	1.63			22×30	1.63	25×25	1.50								
470	22×30	1.72	25×25	1.57	22×35	1.85	25×30	1.76								
560	22×35	1.95	25×30	1.84	22×40	2.08	25×30	1.83	30×25	1.64						
680	22×40	2.22	25×35	2.11	30×25	1.69	22×45	2.34	25×35	2.10	30×30	1.94				
820	22×50	2.60	25×40	2.37	30×30	2.01	35×25	1.68	22×55	2.73	25×40	2.35	30×30	1.99	35×25	1.89
1000	22×60	3.00	25×45	2.63	30×35	2.30	35×30	2.02	25×45	2.65	30×35	2.26	35×30	2.15		
1200			25×50	2.88	30×40	2.55	35×30	2.22	25×60	3.19	30×40	2.53	35×35	2.48		
1500					30×45	2.80	35×35	2.56			30×50	2.97	35×40	2.50		
1800					30×50	3.08	35×40	2.85			30×60	3.43	35×45	3.04		
2200							35×50	3.14					35×55	3.18		
2700							35×60	3.49								

Cap(μF) Vdc φD	250				315									
	φ22	φ25	φ30	φ35	φ22	φ25	φ30	φ35						
150					22×25	1.00								
180					22×30	1.14								
220					22×35	1.31	25×25	1.20						
270	22×25	1.32			22×40	1.49	25×30	1.39						
330	22×30	1.54	25×25	1.45	22×45	1.69	25×35	1.59	30×25	1.41				
390	22×35	1.75	25×30	1.68	22×50	1.87	25×40	1.78	30×30	1.63	35×25	1.48		
470	22×40	1.97	25×30	1.75	22×55	2.09	25×45	1.99	30×35	1.86	35×30	1.74		
560	22×45	2.20	25×35	1.99	30×25	1.63	22×60	2.29	25×50	2.21	30×40	2.08	35×30	1.76
680	22×50	2.45	25×40	2.25	30×30	1.92	35×25	1.80	25×55	2.44	30×45	2.32	35×35	2.01
820	22×60	2.81	25×45	2.49	30×35	2.19	35×30	1.94	25×60	2.68	30×50	2.55	35×40	2.26
1000			25×55	2.91	30×40	2.44	35×35	2.38			30×55	2.78	35×50	2.70
1200					30×45	2.68	35×40	2.47			30×60	3.01	35×55	2.92
1500					30×55	3.15	35×45	2.92					35×60	3.12
1800							35×50	3.04						
2200							35×60	3.37						

Cap(μF) Vdc φD	350				385											
	φ22	φ25	φ30	φ35	φ22	φ25	φ30	φ35								
120	22×25	0.92			22×25	0.93										
150	22×30	1.08			22×30	1.08										
180	22×35	1.22	25×25	1.13	22×30	1.17	25×25	1.13								
220	22×40	1.39	25×30	1.30	22×35	1.33	25×30	1.31								
270	22×45	1.57	25×35	1.49	30×25	1.34	22×45	1.58	25×35	1.50	30×25	1.33				
330	22×50	1.77	25×40	1.69	30×30	1.56	35×25	1.42	22×50	1.78	25×40	1.70	30×30	1.55	35×25	1.40
390	22×55	1.96	25×45	1.88	30×35	1.77	35×30	1.66	22×60	2.03	25×45	1.88	30×35	1.76	35×30	1.64
470	22×60	2.17	25×50	2.09	30×40	1.99	35×35	1.90	25×55	2.18	30×40	1.97	35×35	1.87		
560			25×55	2.30	30×45	2.20	35×40	2.13	25×60	2.39	30×45	2.18	35×35	1.89		
680					30×50	2.43	35×40	2.17			30×50	2.40	35×40	2.12		
820					30×55	2.65	35×45	2.39			30×60	2.76	35×50	2.53		
1000							35×50	2.61					35×55	2.74		
1200							35×60	3.01								

Cap(μF) Vdc φD	400				420											
	φ22	φ25	φ30	φ35	φ22	φ25	φ30	φ35								
100					22×25	0.85										
120	22×25	0.91			22×30	0.97										
150	22×30	1.06	25×25	1.04	22×35	1.12	25×25	1.03								
180	22×35	1.21	25×30	1.19	22×40	1.26	25×30	1.19								
220	22×40	1.37	25×30	1.28	30×25	1.25	22×45	1.43	25×35	1.36	30×25	1.23				
270	22×45	1.56	25×35	1.47	30×30	1.45	22×50	1.61	25×40	1.55	30×30	1.44	35×25	1.32		
330	22×55	1.81	25×40	1.66	30×30	1.55	35×25	1.36	22×60	1.86	25×45	1.74	30×35	1.64	35×30	1.55
390			25×50	1.93	30×35	1.72	35×30	1.61	25×55	2.00	30×40	1.83	35×35	1.76		
470			25×55	2.14	30×40	1.93	35×35	1.83	25×60	2.20	30×45	2.04	35×35	1.80		
560					30×45	2.13	35×40	2.04			30×50	2.24	35×40	2.07		
680					30×55	2.48	35×45	2.26			30×60	2.57	35×50	2.43		
820							35×50	2.47					35×55	2.60		
1000							35×60	2.85								

Cap(μF) Vdc φD	450							
	φ22	φ25	φ30	φ35				
100	22×25	0.85						
120	22×30	0.98	25×25	0.96				
150	22×35	1.13	25×30	1.12				
180	22×40	1.27	25×30	1.19	30×25	1.17		
220	22×45	1.44	25×35	1.37	30×30	1.36	35×25	1.27
270	22×55	1.68	25×45	1.62	30×30	1.43	35×30	1.48
330			25×50	1.82	30×40	1.75	35×30	1.53
390			25×55	2.00	30×45	1.93	35×35	1.74
470					30×50	2.14	35×40	1.95
560					30×55	2.36	35×45	2.16
680							35×50	2.41

↑ Ripple Current (A r.m.s./120Hz, 105°C)  
Case Size φD×L(mm)