



# PIC18F2XXX/4XXX FAMILY

## Flash Microcontroller Programming Specification

### 1.0 DEVICE OVERVIEW

This document includes the programming specifications for the following devices:

- PIC18F2221
- PIC18F2321
- PIC18F2410
- PIC18F2420
- PIC18F2423
- PIC18F2450
- PIC18F2455
- PIC18F2458
- PIC18F2480
- PIC18F2510
- PIC18F2515
- PIC18F2520
- PIC18F2523
- PIC18F2525
- PIC18F2550
- PIC18F2553
- PIC18F2580
- PIC18F2585
- PIC18F2610
- PIC18F2620
- PIC18F2680
- PIC18F2682
- PIC18F2685
- PIC18F4221
- PIC18F4321
- PIC18F4410
- PIC18F4420
- PIC18F4423
- PIC18F4450
- PIC18F4455
- PIC18F4458
- PIC18F4480
- PIC18F4510
- PIC18F4515
- PIC18F4520
- PIC18F4523
- PIC18F4525
- PIC18F4550
- PIC18F4553
- PIC18F4580
- PIC18F4585
- PIC18F4610
- PIC18F4620
- PIC18F4680
- PIC18F4682
- PIC18F4685

### 2.0 PROGRAMMING OVERVIEW

PIC18F2XXX/4XXX Family devices can be programmed using either the high-voltage In-Circuit Serial Programming™ (ICSP™) method or the low-voltage ICSP method. Both methods can be done with the device in the user's system. The low-voltage ICSP method is slightly different than the high-voltage method and these differences are noted where applicable.

This programming specification applies to the PIC18F2XXX/4XXX Family devices in all package types.

#### 2.1 Hardware Requirements

In High-Voltage ICSP mode, PIC18F2XXX/4XXX Family devices require two programmable power supplies: one for VDD and one for MCLR/VPP/RE3. Both supplies should have a minimum resolution of 0.25V. Refer to [Section 6.0 “AC/DC Characteristics Timing Requirements for Program/Verify Test Mode”](#) for additional hardware parameters.

##### 2.1.1 LOW-VOLTAGE ICSP PROGRAMMING

In Low-Voltage ICSP mode, PIC18F2XXX/4XXX Family devices can be programmed using a VDD source in the operating range. The MCLR/VPP/RE3 does not have to be brought to a different voltage, but can instead be left at the normal operating voltage. Refer to [Section 6.0 “AC/DC Characteristics Timing Requirements for Program/Verify Test Mode”](#) for additional hardware parameters.

#### 2.2 Pin Diagrams

The pin diagrams for the PIC18F2XXX/4XXX Family are shown in [Figure 2-1](#), [Figure 2-2](#), [Figure 2-3](#), [Figure 2-4](#), [Figure 2-5](#).

# PIC18F2XXX/4XXX FAMILY

**TABLE 2-1: PIN DESCRIPTIONS (DURING PROGRAMMING): PIC18F2XXX/4XXX FAMILY**

Pin Name	During Programming		
	Pin Name	Pin Type	Pin Description
MCLR/VPP/RE3	VPP	P	Programming Enable
VDD <sup>(2)</sup>	VDD	P	Power Supply
VSS <sup>(2)</sup>	VSS	P	Ground
RB5	PGM	I	Low-Voltage ICSP™ Input when LVP Configuration bit equals '1' <sup>(1)</sup>
RB6	PGC	I	Serial Clock
RB7	PGD	I/O	Serial Data

**Legend:** I = Input, O = Output, P = Power

**Note 1:** See Figure 5-1 for more information.

**2:** All power supply (VDD) and ground (VSS) pins must be connected.

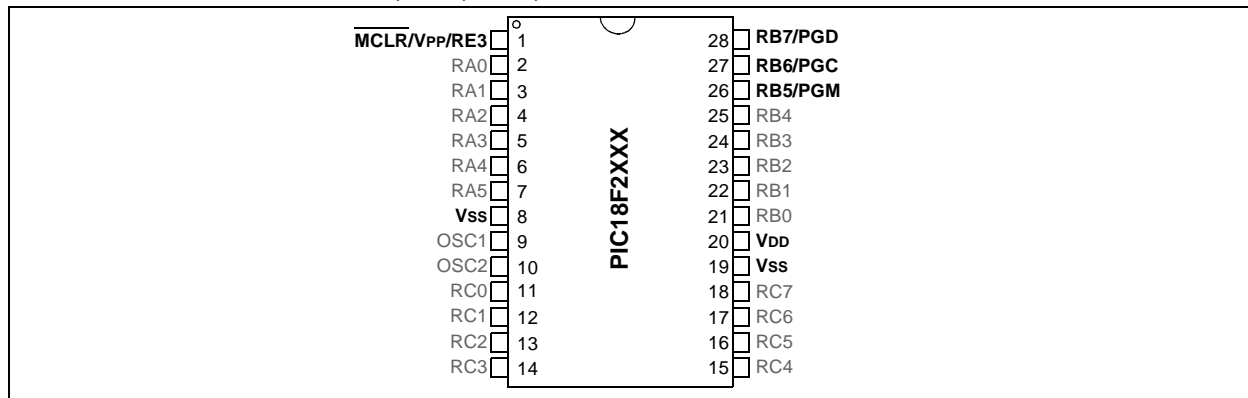
The following devices are included in 28-pin SPDIP, PDIP and SOIC parts:

- PIC18F2221
- PIC18F2321
- PIC18F2410
- PIC18F2420
- PIC18F2423
- PIC18F2450
- PIC18F2455
- PIC18F2458
- PIC18F2480
- PIC18F2510
- PIC18F2515
- PIC18F2520
- PIC18F2523
- PIC18F2525
- PIC18F2550
- PIC18F2553
- PIC18F2580
- PIC18F2585
- PIC18F2610
- PIC18F2620
- PIC18F2680
- PIC18F2682
- PIC18F2685

The following devices are included in 28-pin SSOP parts:

- PIC18F2221
- PIC18F2321

**FIGURE 2-1: 28-Pin SPDIP, PDIP, SOIC,SSOP**

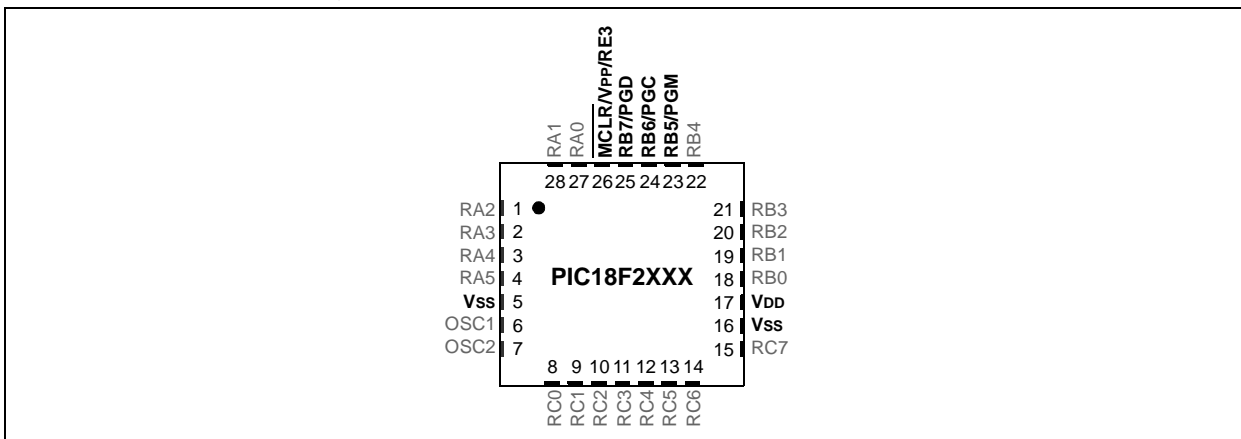


# PIC18F2XXX/4XXX FAMILY

The following devices are included in 28-pin QFN parts:

- |              |              |              |              |
|--------------|--------------|--------------|--------------|
| • PIC18F2221 | • PIC18F2423 | • PIC18F2510 | • PIC18F2580 |
| • PIC18F2321 | • PIC18F2450 | • PIC18F2520 | • PIC18F2682 |
| • PIC18F2410 | • PIC18F2480 | • PIC18F2523 | • PIC18F2685 |
| • PIC18F2420 | •            | •            | •            |

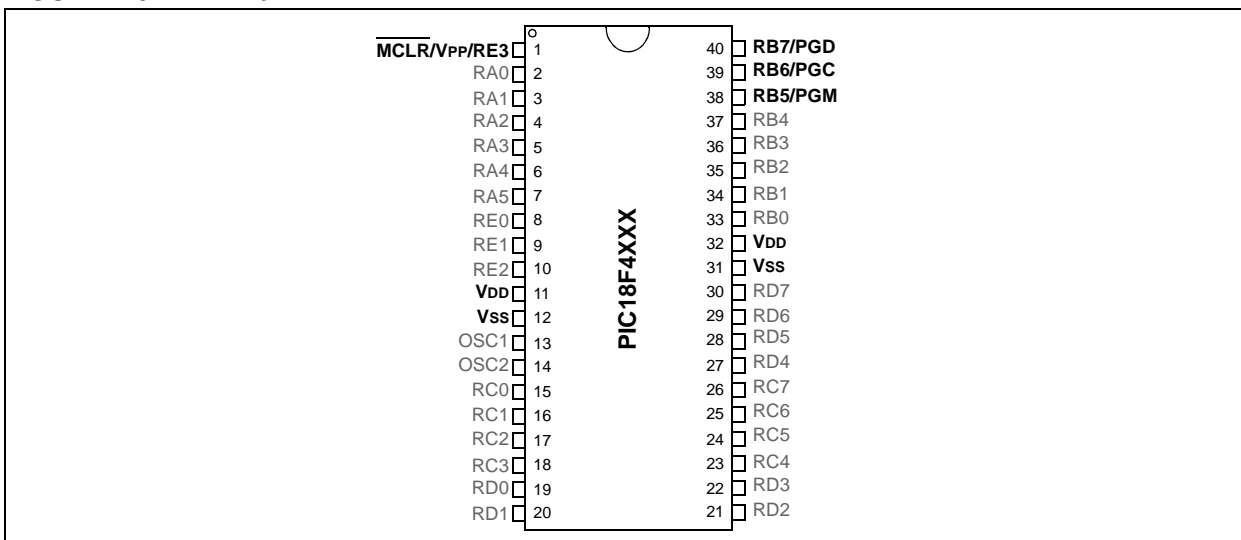
**FIGURE 2-2: 28-Pin QFN**



The following devices are included in 40-pin PDIP parts:

- |              |              |              |              |
|--------------|--------------|--------------|--------------|
| • PIC18F4221 | • PIC18F4455 | • PIC18F4523 | • PIC18F4610 |
| • PIC18F4321 | • PIC18F4458 | • PIC18F4525 | • PIC18F4620 |
| • PIC18F4410 | • PIC18F4480 | • PIC18F4550 | • PIC18F4680 |
| • PIC18F4420 | • PIC18F4510 | • PIC18F4553 | • PIC18F4682 |
| • PIC18F4423 | • PIC18F4515 | • PIC18F4580 | • PIC18F4685 |
| • PIC18F4450 | • PIC18F4520 | • PIC18F4585 | •            |

**FIGURE 2-3: 40-Pin PDIP**

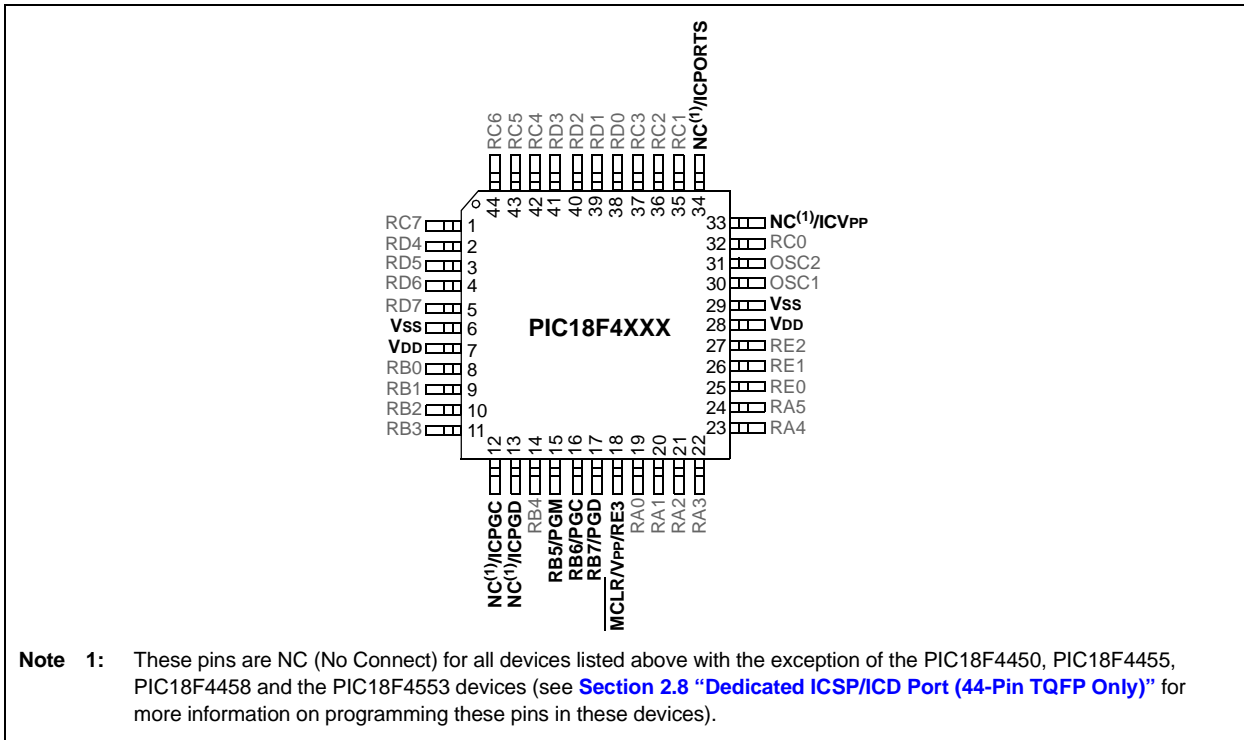


# PIC18F2XXX/4XXX FAMILY

The following devices are included in 44-pin TQFP parts:

- PIC18F4221
- PIC18F4321
- PIC18F4410
- PIC18F4420
- PIC18F4423
- PIC18F4450
- PIC18F4455
- PIC18F4458
- PIC18F4480
- PIC18F4510
- PIC18F4520
- PIC18F4515
- PIC18F4523
- PIC18F4525
- PIC18F4550
- PIC18F4553
- PIC18F4580
- PIC18F4585
- PIC18F4610
- PIC18F4620
- PIC18F4680
- PIC18F4682
- PIC18F4685

**FIGURE 2-4: 44-PIN TQFP**

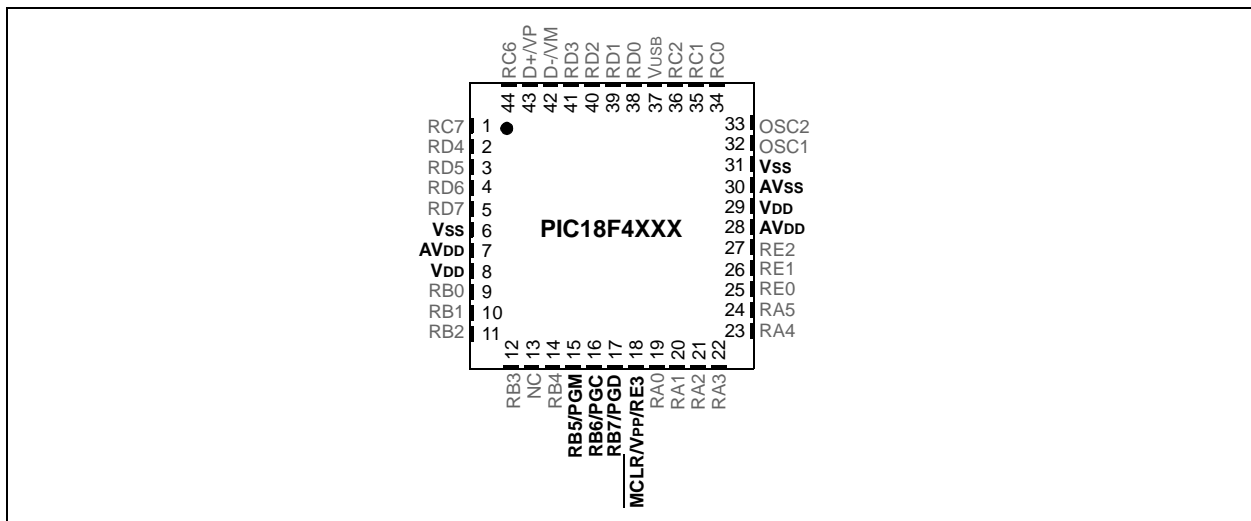


# PIC18F2XXX/4XXX FAMILY

The following devices are included in 44-pin QFN parts:

- PIC18F4221
- PIC18F4321
- PIC18F4410
- PIC18F4420
- PIC18F4423
- PIC18F4450
- PIC18F4455
- PIC18F4458
- PIC18F4480
- PIC18F4510
- PIC18F4520
- PIC18F4515
- PIC18F4523
- PIC18F4525
- PIC18F4550
- PIC18F4553
- PIC18F4580
- PIC18F4585
- PIC18F4610
- PIC18F4620
- PIC18F4680
- PIC18F4682
- PIC18F4685

**FIGURE 2-5: 44-PIN QFN**



## 2.3 Memory Maps

For PIC18FX6X0 devices, the code memory space extends from 0000h to 0FFFFh (64 Kbytes) in four 16-Kbyte blocks. For PIC18FX5X5 devices, the code memory space extends from 0000h to 0BFFFFh (48 Kbytes) in three 16-Kbyte blocks. Addresses, 0000h through 07FFh, however, define a “Boot Block” region that is treated separately from Block 0. All of these blocks define code protection boundaries within the code memory space.

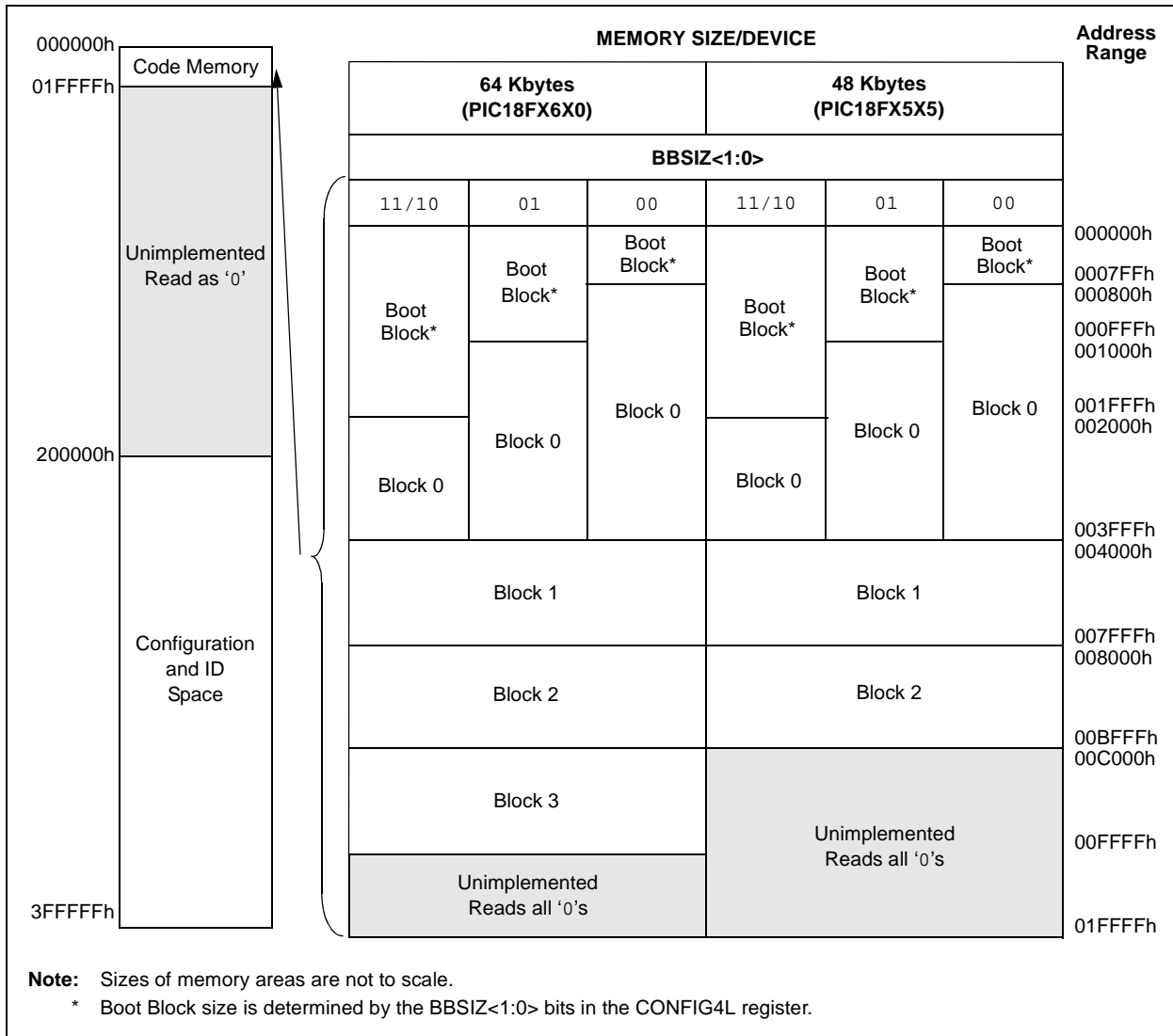
The size of the Boot Block in PIC18F2585/2680/4585/4680 devices can be configured as 1, 2 or 4K words (see [Figure 2-6](#)). This is done through the BBSIZ<1:0> bits in the Configuration register, CONFIG4L. It is important to note that increasing the size of the Boot Block decreases the size of Block 0.

# PIC18F2XXX/4XXX FAMILY

**TABLE 2-2: IMPLEMENTATION OF CODE MEMORY**

Device	Code Memory Size (Bytes)
PIC18F2515	000000h-00BFFFh (48K)
PIC18F2525	
PIC18F2585	
PIC18F4515	
PIC18F4525	
PIC18F4585	
PIC18F2610	000000h-00FFFFh (64K)
PIC18F2620	
PIC18F2680	
PIC18F4610	
PIC18F4620	
PIC18F4680	

**FIGURE 2-6: MEMORY MAP AND THE CODE MEMORY SPACE FOR PIC18FX5X5/X6X0 DEVICES**



# PIC18F2XXX/4XXX FAMILY

---

For PIC18F2685/4685 devices, the code memory space extends from 0000h to 017FFFh (96 Kbytes) in five 16-Kbyte blocks. For PIC18F2682/4682 devices, the code memory space extends from 0000h to 0013FFFh (80 Kbytes) in four 16-Kbyte blocks. Addresses, 0000h through 0FFFh, however, define a “Boot Block” region that is treated separately from Block 0. All of these blocks define code protection boundaries within the code memory space.

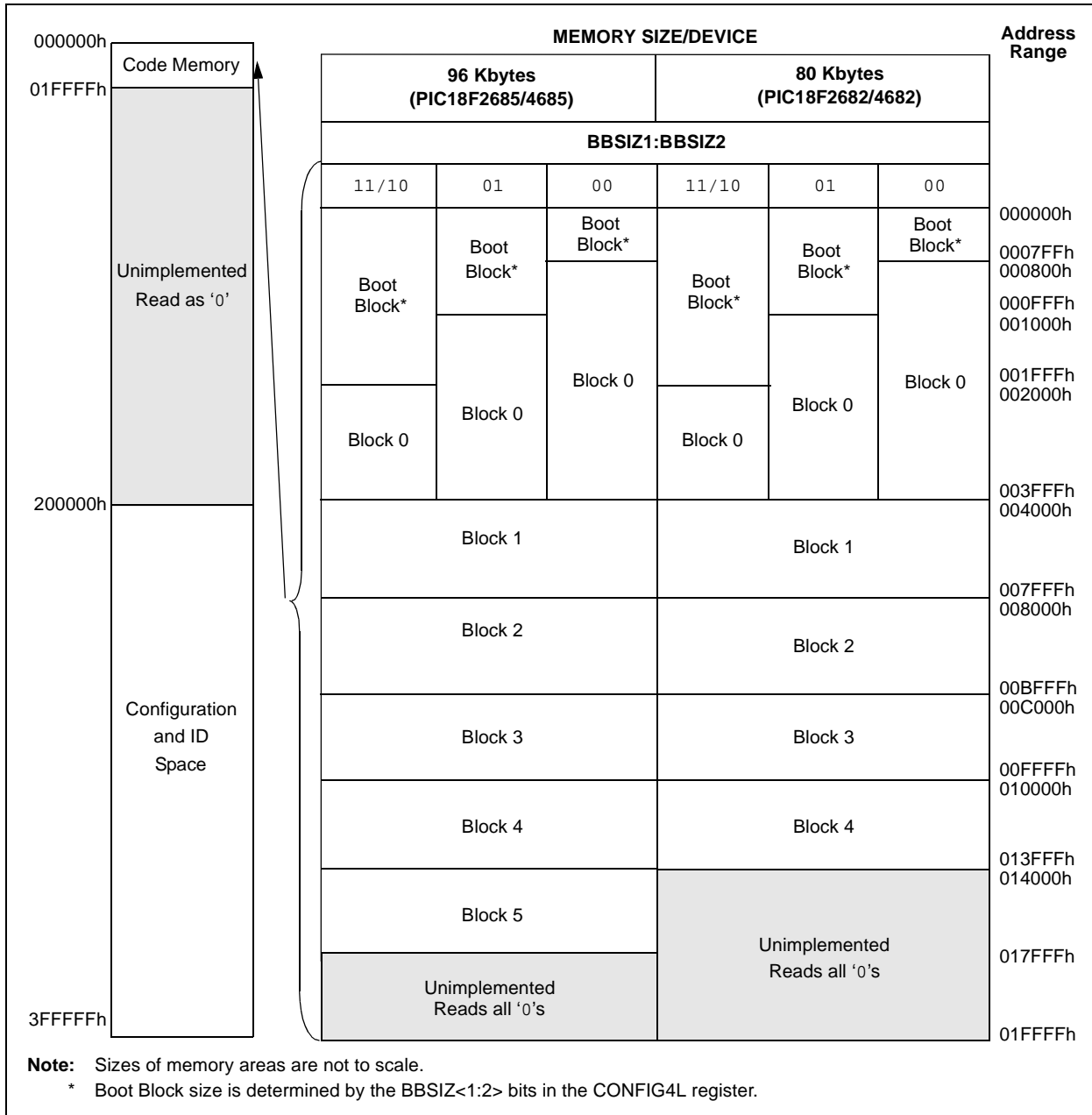
The size of the Boot Block in PIC18F2685/4685 and PIC18F2682/4682 devices can be configured as 1, 2 or 4K words (see [Figure 2-7](#)). This is done through the BBSIZ<2:1> bits in the Configuration register, CONFIG4L. It is important to note that increasing the size of the Boot Block decreases the size of Block 0.

**TABLE 2-3: IMPLEMENTATION OF CODE MEMORY**

Device	Code Memory Size (Bytes)
PIC18F2682	000000h-013FFFh (80K)
PIC18F4682	
PIC18F2685	000000h-017FFFh (96K)
PIC18F4685	

# PIC18F2XXX/4XXX FAMILY

**FIGURE 2-7: MEMORY MAP AND THE CODE MEMORY SPACE FOR PIC18F2685/4685 AND PIC18F2682/4682 DEVICES**



For PIC18FX5X0/X5X3 devices, the code memory space extends from 000000h to 007FFFh (32 Kbytes) in four 8-Kbyte blocks. For PIC18FX4X5/X4X8 devices, the code memory space extends from 000000h to 005FFFh (24 Kbytes) in three 8-Kbyte blocks. Addresses, 000000h through 0007FFFh, however, define a “Boot Block” region that is treated separately from Block 0. All of these blocks define code protection boundaries within the code memory space.

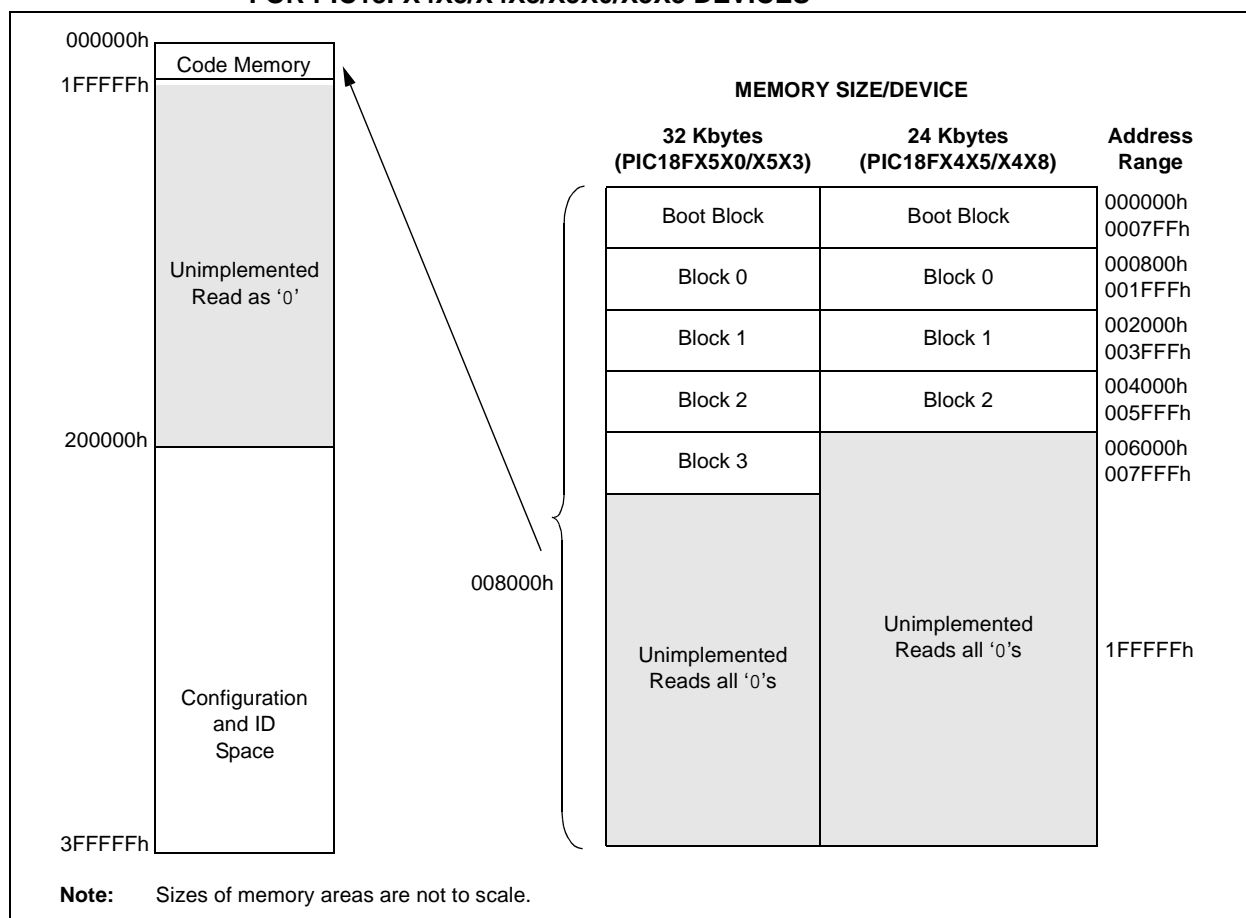


# PIC18F2XXX/4XXX FAMILY

**TABLE 2-4: IMPLEMENTATION OF CODE MEMORY**

Device	Code Memory Size (Bytes)
PIC18F2455	000000h-005FFFh (24K)
PIC18F2458	
PIC18F4455	
PIC18F4458	
PIC18F2510	000000h-007FFFh (32K)
PIC18F2520	
PIC18F2523	
PIC18F2550	
PIC18F2553	
PIC18F4510	
PIC18F4520	
PIC18F4523	
PIC18F4550	
PIC18F4553	

**FIGURE 2-8: MEMORY MAP AND THE CODE MEMORY SPACE FOR PIC18FX4X5/X4X8/X5X0/X5X3 DEVICES**



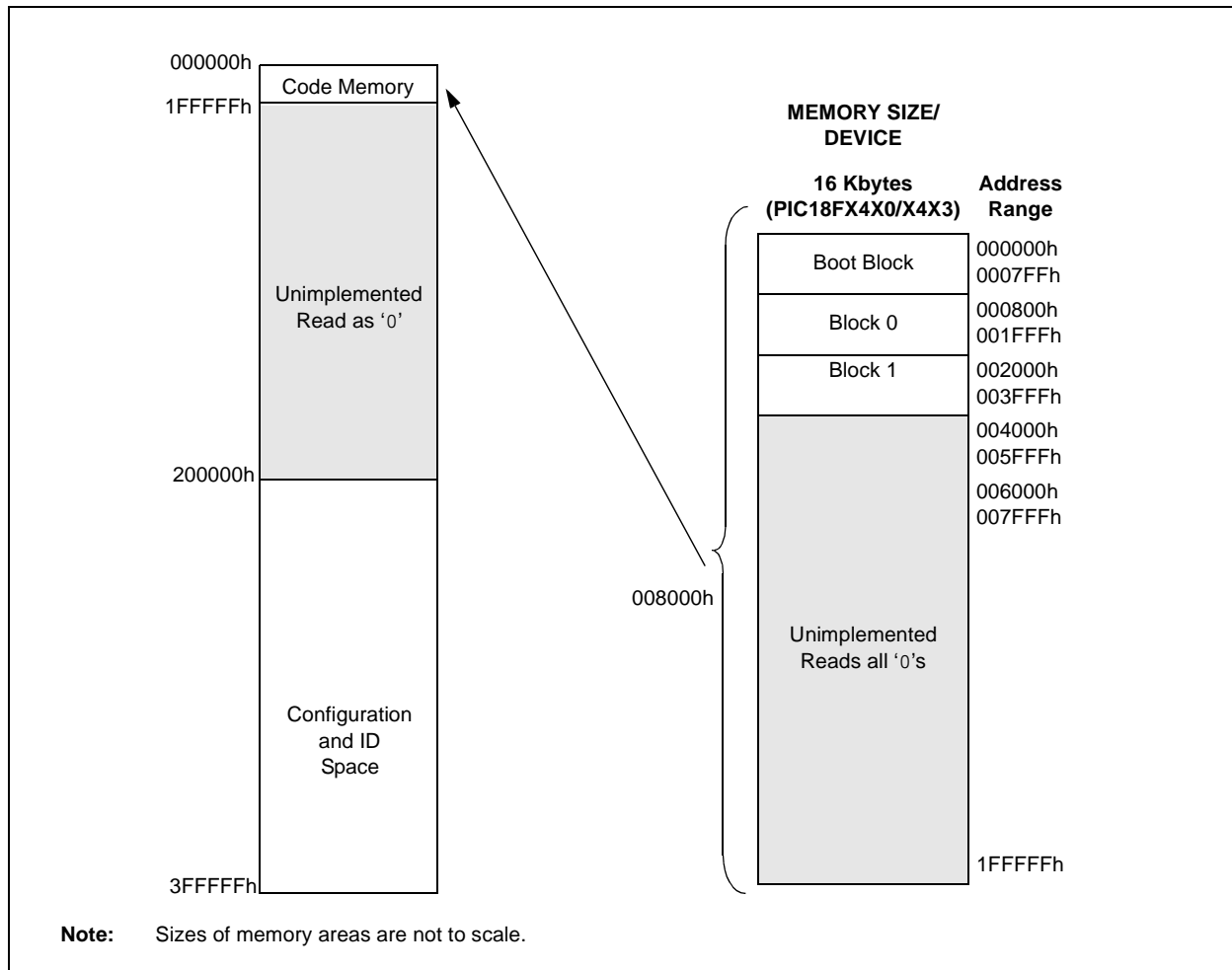
For PIC18FX4X0/X4X3 devices, the code memory space extends from 000000h to 003FFFh (16 Kbytes) in two 8-Kbyte blocks. Addresses, 000000h through 0003FFFh, however, define a “Boot Block” region that is treated separately from Block 0. All of these blocks define code protection boundaries within the code memory space.

# PIC18F2XXX/4XXX FAMILY

**TABLE 2-5: IMPLEMENTATION OF CODE MEMORY**

Device	Code Memory Size (Bytes)
PIC18F2410	000000h-003FFFh (16K)
PIC18F2420	
PIC18F2423	
PIC18F2450	
PIC18F4410	
PIC18F4420	
PIC18F4450	

**FIGURE 2-9: MEMORY MAP AND THE CODE MEMORY SPACE FOR PIC18FX4X0/X4X3 DEVICES**



For PIC18F2480/4480 devices, the code memory space extends from 0000h to 03FFFh (16 Kbytes) in one 16-Kbyte block. For PIC18F2580/4580 devices, the code memory space extends from 0000h to 07FFFh (32 Kbytes) in two 16-Kbyte blocks. Addresses, 0000h through 07FFFh, however, define a “Boot Block” region that is treated separately from Block 0. All of these blocks define code protection boundaries within the code memory space.

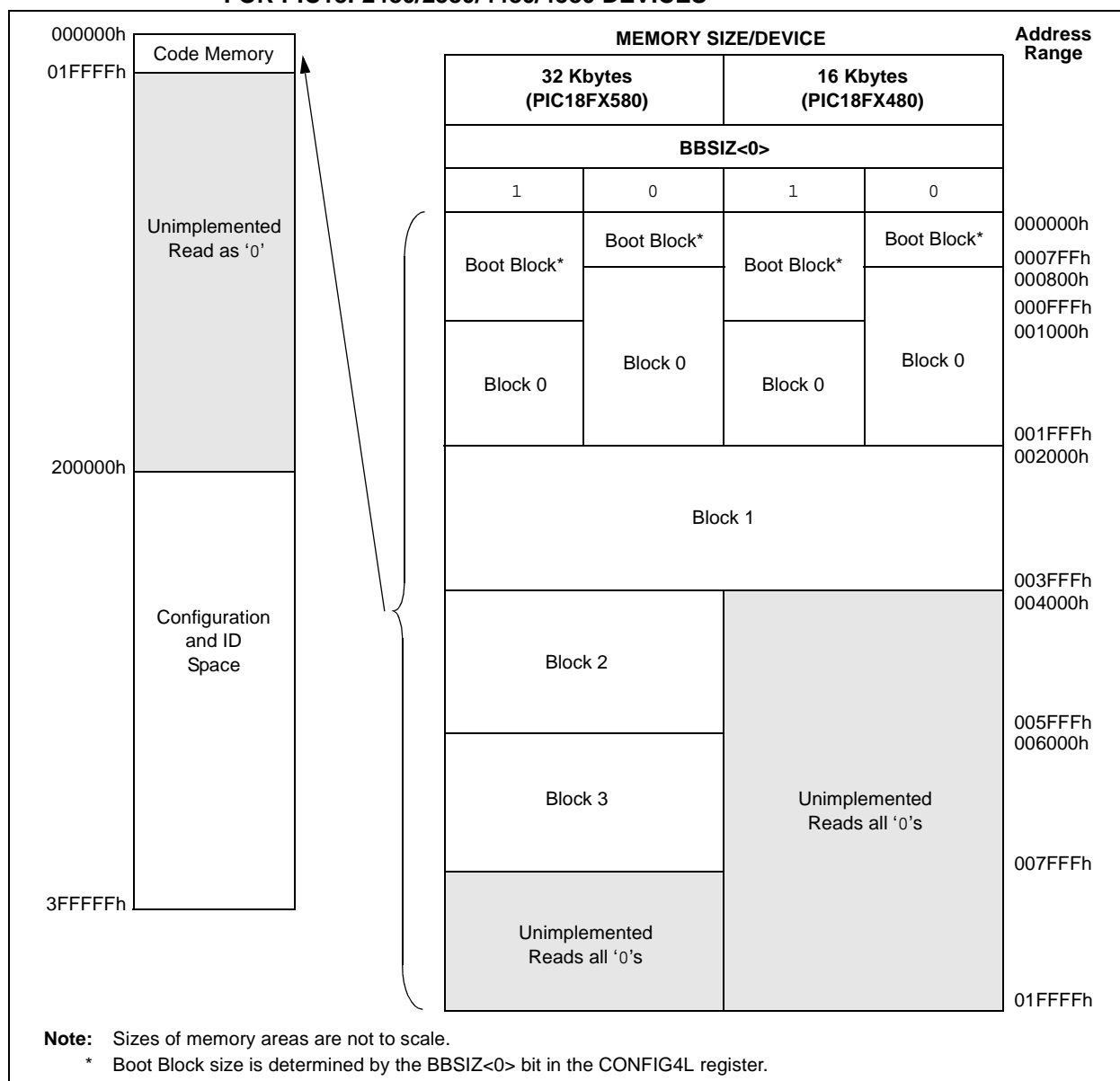
The size of the Boot Block in PIC18F2480/2580/4480/4580 devices can be configured as 1 or 2K words (see [Figure 2-10](#)). This is done through the BBSIZ<0> bit in the Configuration register, CONFIG4L. It is important to note that increasing the size of the Boot Block decreases the size of Block 0.

# PIC18F2XXX/4XXX FAMILY

**TABLE 2-6: IMPLEMENTATION OF CODE MEMORY**

Device	Code Memory Size (Bytes)
PIC18F2480	000000h-003FFFh (16K)
PIC18F4480	
PIC18F2580	000000h-007FFFh (32K)
PIC18F4580	

**FIGURE 2-10: MEMORY MAP AND THE CODE MEMORY SPACE FOR PIC18F2480/2580/4480/4580 DEVICES**



For PIC18F2221/4221 devices, the code memory space extends from 0000h to 00FFFh (4 Kbytes) in one 4-Kbyte block. For PIC18F2321/4321 devices, the code memory space extends from 0000h to 01FFFh (8 Kbytes) in two 4-Kbyte blocks. Addresses, 0000h through 07FFFh, however, define a variable “Boot Block” region that is treated separately from Block 0. All of these blocks define code protection boundaries within the code memory space.

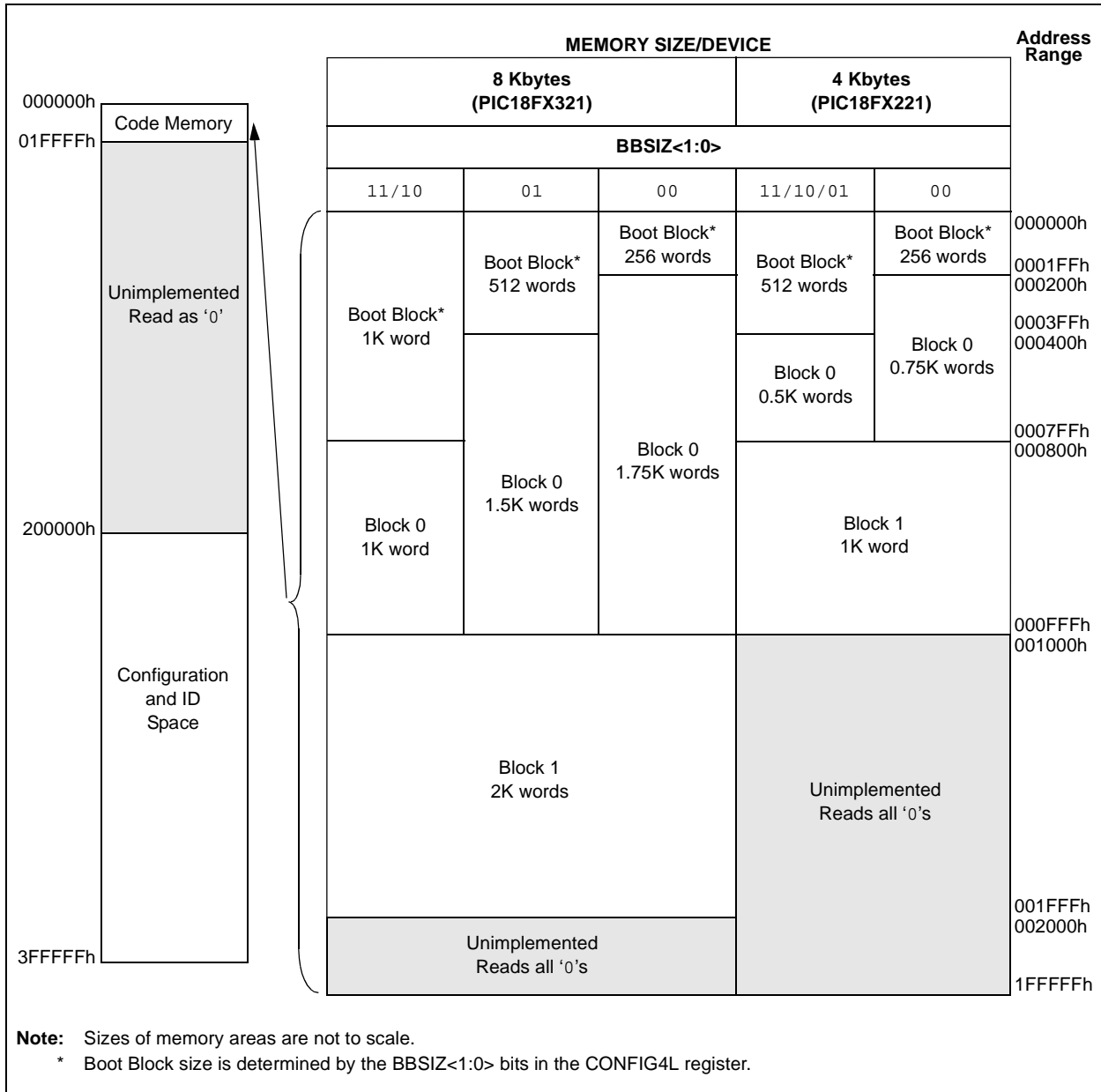
# PIC18F2XXX/4XXX FAMILY

The size of the Boot Block in PIC18F2221/2321/4221/4321 devices can be configured as 256, 512 or 1024 words (see Figure 2-11). This is done through the BBSIZ<1:0> bits in the Configuration register, CONFIG4L (see Figure 2-11). It is important to note that increasing the size of the Boot Block decreases the size of Block 0.

**TABLE 2-7: IMPLEMENTATION OF CODE MEMORY**

Device	Code Memory Size (Bytes)
PIC18F2221	000000h-000FFFh (4K)
PIC18F4221	
PIC18F2321	000000h-001FFFh (8K)
PIC18F4321	

**FIGURE 2-11: MEMORY MAP AND THE CODE MEMORY SPACE FOR PIC18F2221/2321/4221/4321 DEVICES**



# PIC18F2XXX/4XXX FAMILY

---

In addition to the code memory space, there are three blocks that are accessible to the user through Table Reads and Table Writes. Their locations in the memory map are shown in [Figure 2-12](#).

Users may store identification information (ID) in eight ID registers. These ID registers are mapped in addresses, 200000h through 200007h. The ID locations read out normally, even after code protection is applied.

Locations, 300000h through 30000Dh, are reserved for the Configuration bits. These bits select various device options and are described in [Section 5.0 “Configuration Word”](#). These Configuration bits read out normally, even after code protection.

Locations, 3FFFEh and 3FFFFh, are reserved for the Device ID bits. These bits may be used by the programmer to identify what device type is being programmed and are described in [Section 5.0 “Configuration Word”](#). These Device ID bits read out normally, even after code protection.

## 2.3.1 MEMORY ADDRESS POINTER

Memory in the address space, 0000000h to 3FFFFFFh, is addressed via the Table Pointer register, which is comprised of three pointer registers:

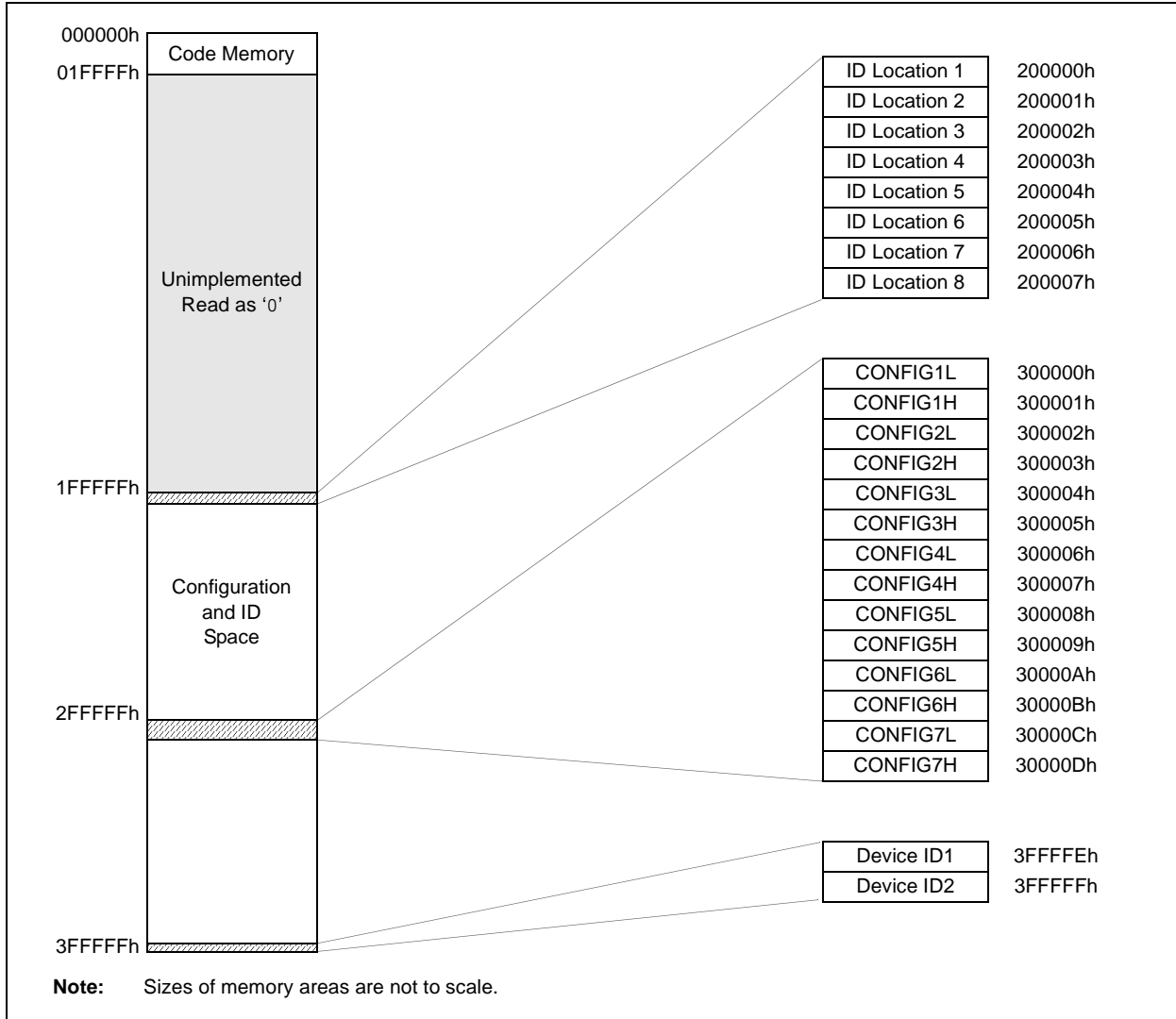
- TBLPTRU at RAM address 0FF8h
- TBLPTRH at RAM address 0FF7h
- TBLPTRL at RAM address 0FF6h

TBLPTRU	TBLPTRH	TBLPTRL
Addr[21:16]	Addr[15:8]	Addr[7:0]

The 4-bit command, '0000' (core instruction), is used to load the Table Pointer prior to using many read or write operations.

# PIC18F2XXX/4XXX FAMILY

**FIGURE 2-12: CONFIGURATION AND ID LOCATIONS FOR PIC18F2XXX/4XXX FAMILY DEVICES**

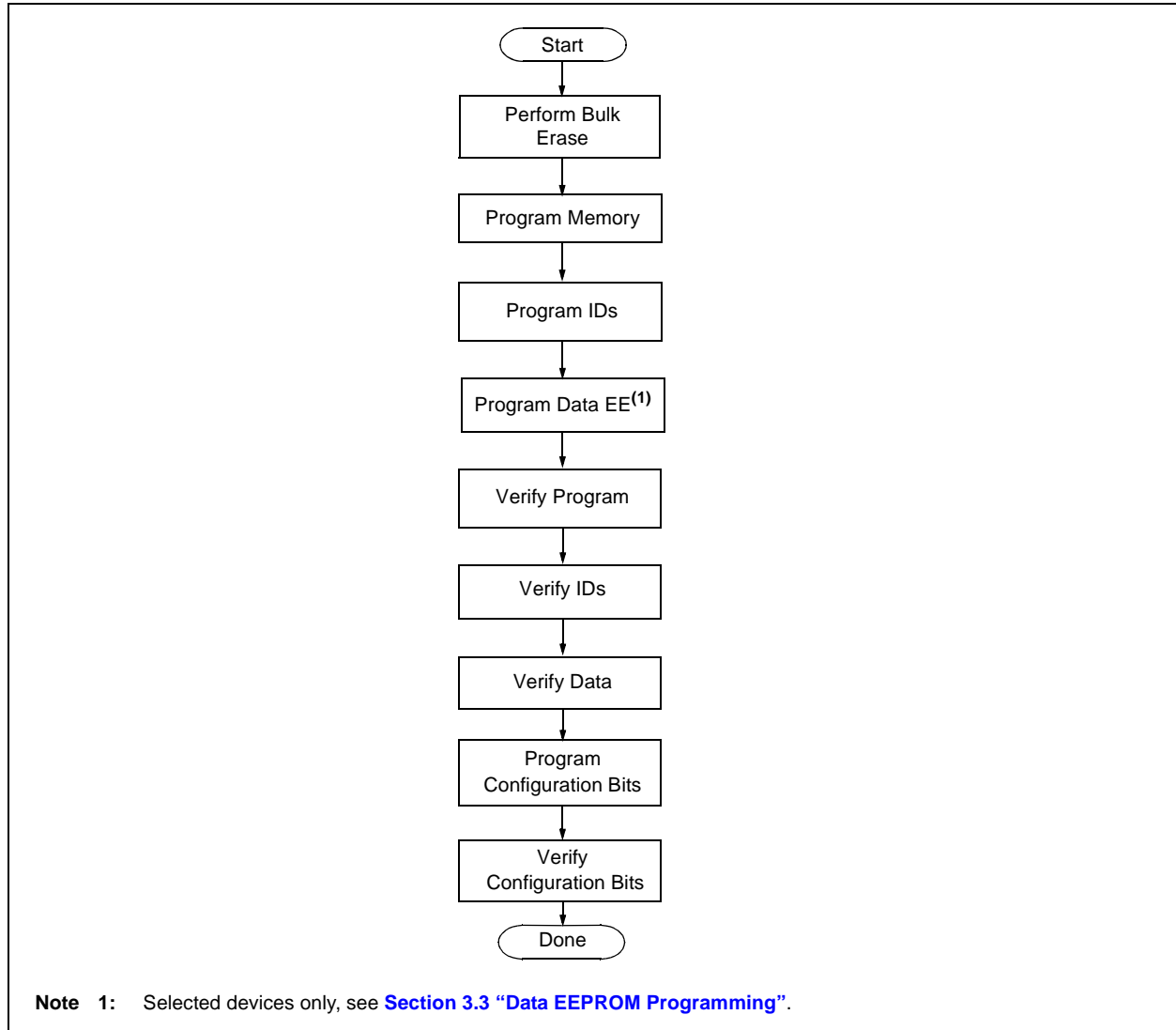


# PIC18F2XXX/4XXX FAMILY

## 2.4 High-Level Overview of the Programming Process

Figure 2-13 shows the high-level overview of the programming process. First, a Bulk Erase is performed. Next, the code memory, ID locations and data EEPROM are programmed (selected devices only, see [Section 3.3 “Data EEPROM Programming”](#)). These memories are then verified to ensure that programming was successful. If no errors are detected, the Configuration bits are then programmed and verified.

**FIGURE 2-13: HIGH-LEVEL PROGRAMMING FLOW**



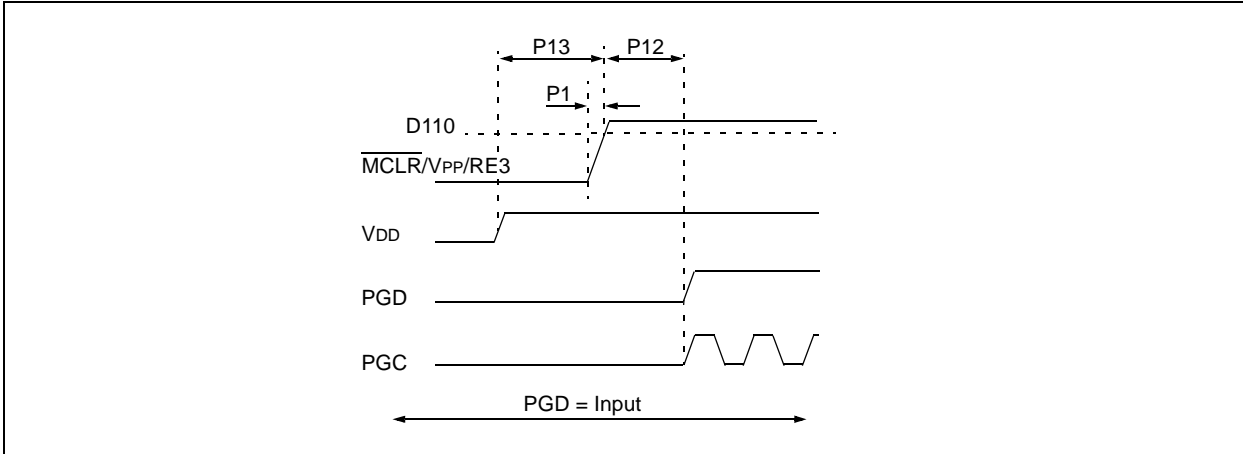
# PIC18F2XXX/4XXX FAMILY

## 2.5 Entering and Exiting High-Voltage ICSP Program/Verify Mode

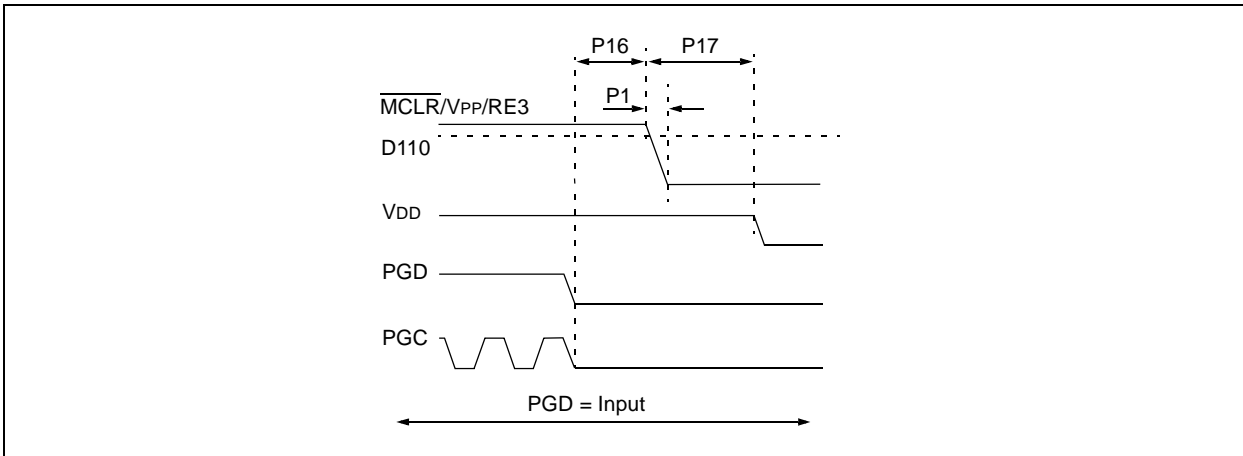
As shown in [Figure 2-14](#), the High-Voltage ICSP Program/Verify mode is entered by holding PGC and PGD low and then raising  $\overline{\text{MCLR}}/\text{VPP}/\text{RE3}$  to  $V_{\text{IH}}$  (high voltage). Once in this mode, the code memory, data EEPROM (selected devices only, see [Section 3.3 "Data EEPROM Programming"](#)), ID locations and Configuration bits can be accessed and programmed in serial fashion. [Figure 2-15](#) shows the exit sequence.

The sequence that enters the device into the Program/Verify mode places all unused I/Os in the high-impedance state.

**FIGURE 2-14: ENTERING HIGH-VOLTAGE PROGRAM/VERIFY MODE**



**FIGURE 2-15: EXITING HIGH-VOLTAGE PROGRAM/VERIFY MODE**





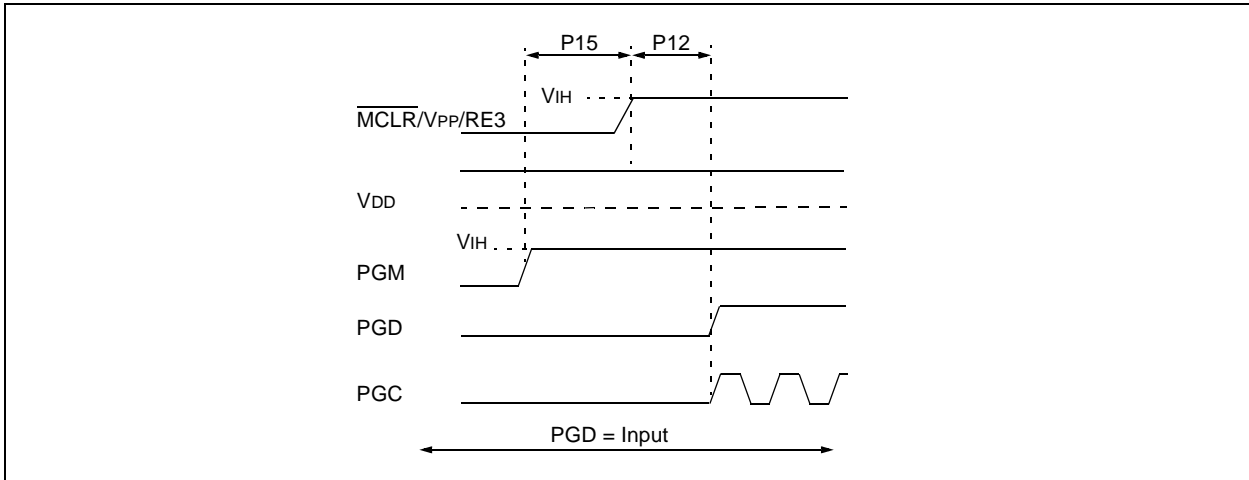
# PIC18F2XXX/4XXX FAMILY

## 2.6 Entering and Exiting Low-Voltage ICSP Program/Verify Mode

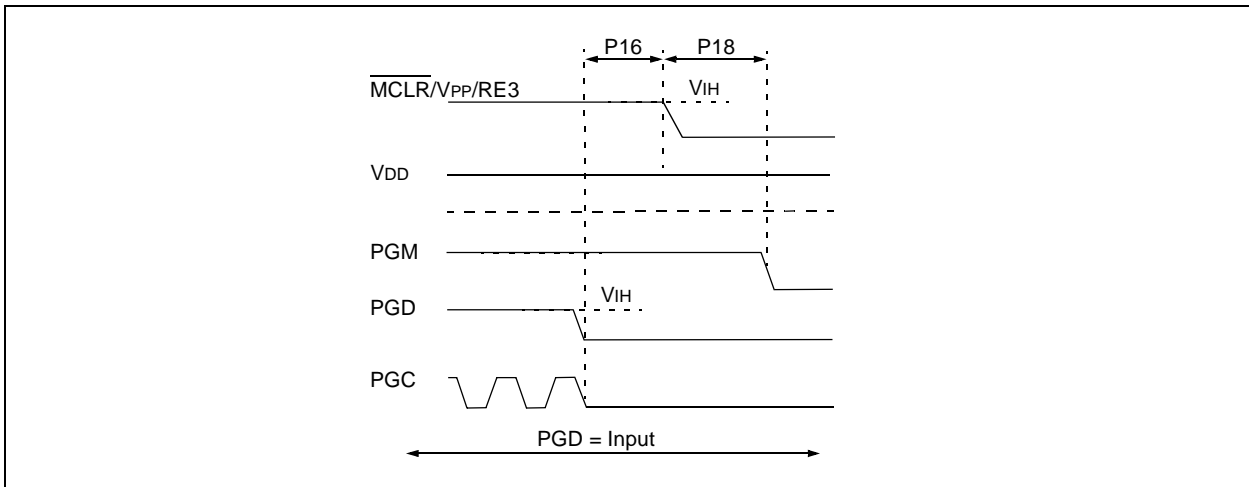
When the LVP Configuration bit is '1' (see [Section 5.3 "Single-Supply ICSP Programming"](#)), the Low-Voltage ICSP mode is enabled. As shown in [Figure 2-16](#), Low-Voltage ICSP Program/Verify mode is entered by holding PGC and PGD low, placing a logic high on PGM and then raising  $\overline{\text{MCLR}}/\text{VPP}/\text{RE3}$  to  $V_{IH}$ . In this mode, the RB5/PGM pin is dedicated to the programming function and ceases to be a general purpose I/O pin. [Figure 2-17](#) shows the exit sequence.

The sequence that enters the device into the Program/Verify mode places all unused I/Os in the high-impedance state.

**FIGURE 2-16: ENTERING LOW-VOLTAGE PROGRAM/VERIFY MODE**



**FIGURE 2-17: EXITING LOW-VOLTAGE PROGRAM/VERIFY MODE**



# PIC18F2XXX/4XXX FAMILY

## 2.7 Serial Program/Verify Operation

The PGC pin is used as a clock input pin and the PGD pin is used for entering command bits and data input/output during serial operation. Commands and data are transmitted on the rising edge of PGC, latched on the falling edge of PGC and are Least Significant bit (LSb) first.

### 2.7.1 4-BIT COMMANDS

All instructions are 20 bits, consisting of a leading 4-bit command followed by a 16-bit operand, which depends on the type of command being executed. To input a command, PGC is cycled four times. The commands needed for programming and verification are shown in [Table 2-8](#).

Depending on the 4-bit command, the 16-bit operand represents 16 bits of input data or 8 bits of input data and 8 bits of output data.

Throughout this specification, commands and data are presented as illustrated in [Table 2-9](#). The 4-bit command is shown Most Significant bit (MSb) first. The command operand, or “Data Payload”, is shown as <MSB><LSB>. [Figure 2-18](#) demonstrates how to serially present a 20-bit command/operand to the device.

### 2.7.2 CORE INSTRUCTION

The core instruction passes a 16-bit instruction to the CPU core for execution. This is needed to set up registers as appropriate for use with other commands.

**TABLE 2-8: COMMANDS FOR PROGRAMMING**

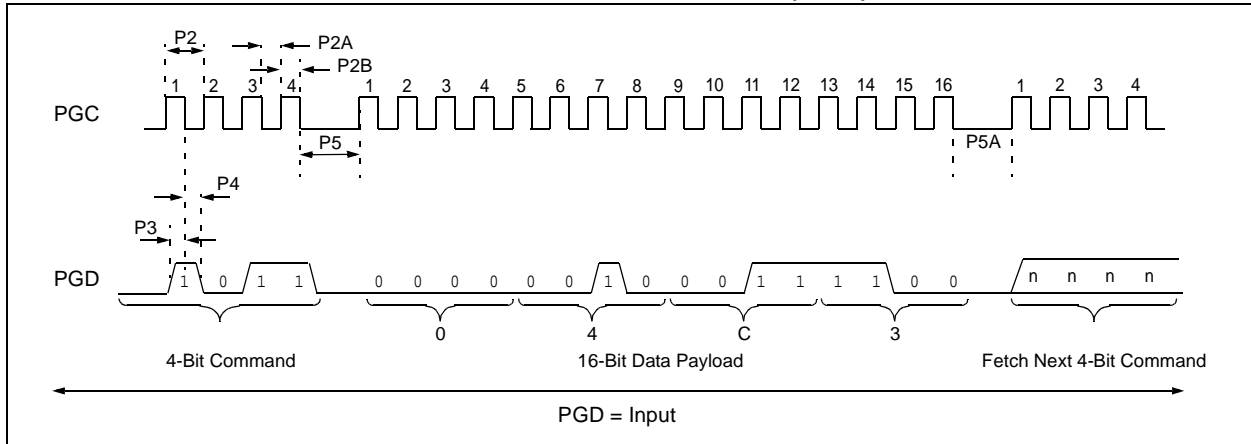
Description	4-Bit Command
Core Instruction (Shift in 16-bit instruction)	0000
Shift Out TABLAT Register	0010
Table Read	1000
Table Read, Post-Increment	1001
Table Read, Post-Decrement	1010
Table Read, Pre-Increment	1011
Table Write	1100
Table Write, Post-Increment by 2	1101
Table Write, Start Programming, Post-Increment by 2	1110
Table Write, Start Programming	1111

**TABLE 2-9: SAMPLE COMMAND SEQUENCE**

4-Bit Command	Data Payload	Core Instruction
1101	3C 40	Table Write, post-increment by 2

# PIC18F2XXX/4XXX FAMILY

**FIGURE 2-18: TABLE WRITE, POST-INCREMENT TIMING (1101)**



## 2.8 Dedicated ICSP/ICD Port (44-Pin TQFP Only)

The PIC18F4455/4458/4550/4553 44-pin TQFP devices are designed to support an alternate programming input: the dedicated ICSP/ICD port. The primary purpose of this port is to provide an alternate In-Circuit Debugging (ICD) option and free the pins (RB6, RB7 and MCLR) that would normally be used for debugging the application. In conjunction with ICD capability, however, the dedicated ICSP/ICD port also provides an alternate port for ICSP.

Setting the ICPRT Configuration bit enables the dedicated ICSP/ICD port. The dedicated ICSP/ICD port functions the same as the default ICSP/ICD port; however, alternate pins are used instead of the default pins. Table 2-10 identifies the functionally equivalent pins for ICSP purposes:

The dedicated ICSP/ICD port is an alternate port. Thus, ICSP is still available through the default port even though the ICPRT Configuration bit is set. When the  $V_{IH}$  is seen on the MCLR/VPP/RE3 pin prior to applying  $V_{IH}$  to the ICRST/ICVPP pin, then the state of the ICRST/ICVPP pin is ignored. Likewise, when the  $V_{IH}$  is seen on ICRST/ICVPP prior to applying  $V_{IH}$  to MCLR/VPP/RE3, then the state of the MCLR/VPP/RE3 pin is ignored.

**Note:** The ICPRT Configuration bit can only be programmed through the default ICSP port. Chip Erase functions through the dedicated ICSP/ICD port do not affect this bit.

When the ICPRT Configuration bit is set (dedicated ICSP/ICD port enabled), the NC/ICPORTS pin must be tied to either VDD or VSS.

The ICPRT Configuration bit must be maintained clear for all 28-pin and 40-pin devices; otherwise, unexpected operation may occur.

**TABLE 2-10: ICSP™ EQUIVALENT PINS**

Pin Name	During Programming			
	Pin Name	Pin Type	Dedicated Pins	Pin Description
MCLR/VPP/RE3	VPP	P	NC/ICRST/ICVPP	Programming Enable
RB6	PGC	I	NC/ICCK/ICPGC	Serial Clock
RB7	PGD	I/O	NC/ICDT/ICPGD	Serial Data

**Legend:** I = Input, O = Output, P = Power

# PIC18F2XXX/4XXX FAMILY

## 3.0 DEVICE PROGRAMMING

Programming includes the ability to erase or write the various memory regions within the device.

In all cases, except high-voltage ICSP Bulk Erase, the EECON1 register must be configured in order to operate on a particular memory region.

When using the EECON1 register to act on code memory, the EEPGD bit must be set (EECON1<7> = 1) and the CFGS bit must be cleared (EECON1<6> = 0). The WREN bit must be set (EECON1<2> = 1) to enable writes of any sort (e.g., erases) and this must be done prior to initiating a write sequence. The FREE bit must be set (EECON1<4> = 1) in order to erase the program space being pointed to by the Table Pointer. The erase or write sequence is initiated by setting the WR bit (EECON1<1> = 1). It is strongly recommended that the WREN bit only be set immediately prior to a program erase.

### 3.1 ICSP Erase

#### 3.1.1 HIGH-VOLTAGE ICSP BULK ERASE

Erasing code or data EEPROM is accomplished by configuring two Bulk Erase Control registers located at 3C0004h and 3C0005h. Code memory may be erased, portions at a time, or the user may erase the entire device in one action. Bulk Erase operations will also clear any code-protect settings associated with the memory block being erased. Erase options are detailed in [Table 3-1](#). If data EEPROM is code-protected (CPD = 0), the user must request an erase of data EEPROM (e.g., 0084h as shown in [Table 3-1](#)).

**TABLE 3-1: BULK ERASE OPTIONS**

Description	Data (3C0005h:3C0004h)
Chip Erase	3F8Fh
Erase Data EEPROM <sup>(1)</sup>	0084h
Erase Boot Block	0081h
Erase Configuration Bits	0082h
Erase Code EEPROM Block 0	0180h
Erase Code EEPROM Block 1	0280h
Erase Code EEPROM Block 2	0480h
Erase Code EEPROM Block 3	0880h
Erase Code EEPROM Block 4	1080h
Erase Code EEPROM Block 5	2080h

**Note 1:** Selected devices only, see [Section 3.3 “Data EEPROM Programming”](#).

The actual Bulk Erase function is a self-timed operation. Once the erase has started (falling edge of the 4th PGC after the NOP command), serial execution will cease until the erase completes (Parameter P11). During this time, PGC may continue to toggle but PGD must be held low.

The code sequence to erase the entire device is shown in [Table](#) and the flowchart is shown in [Figure 3-1](#).

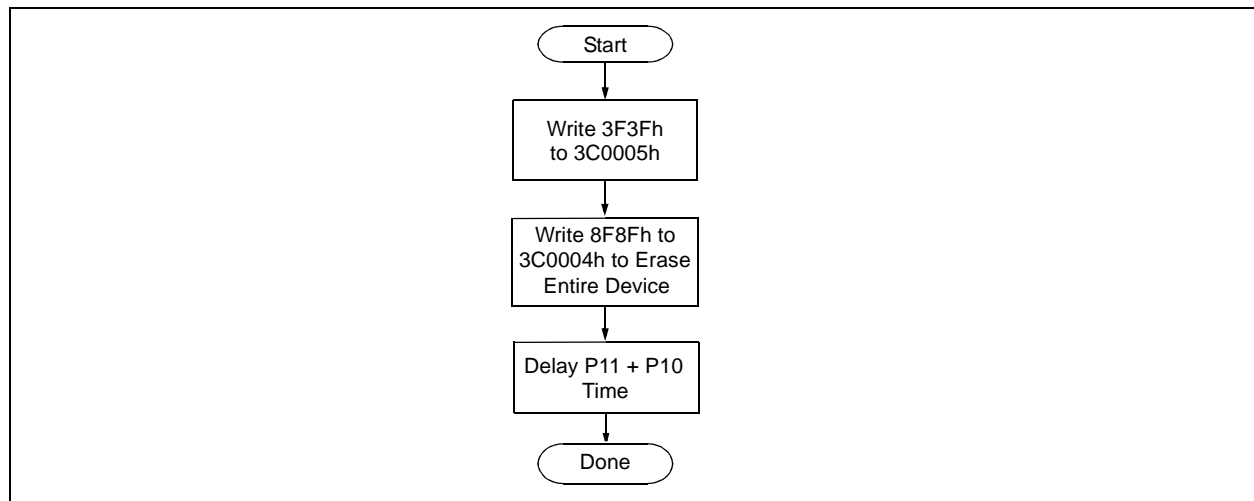
**Note:** A Bulk Erase is the only way to reprogram code-protect bits from an ON state to an OFF state.

# PIC18F2XXX/4XXX FAMILY

**TABLE 3-2: BULK ERASE COMMAND SEQUENCE**

4-Bit Command	Data Payload	Core Instruction
0000	0E 3C	MOVLW 3Ch
0000	6E F8	MOVWF TBLPTRU
0000	0E 00	MOVLW 00h
0000	6E F7	MOVWF TBLPTRH
0000	0E 05	MOVLW 05h
0000	6E F6	MOVWF TBLPTRL
1100	3F 3F	Write 3F3Fh to 3C0005h
0000	0E 3C	MOVLW 3Ch
0000	6E F8	MOVWF TBLPTRU
0000	0E 00	MOVLW 00h
0000	6E F7	MOVWF TBLPTRH
0000	0E 04	MOVLW 04h
0000	6E F6	MOVWF TBLPTRL
1100	8F 8F	Write 8F8Fh TO 3C0004h to erase entire device.
		NOP
		Hold PGD low until erase completes.
0000	00 00	
0000	00 00	

**FIGURE 3-1: BULK ERASE FLOW**



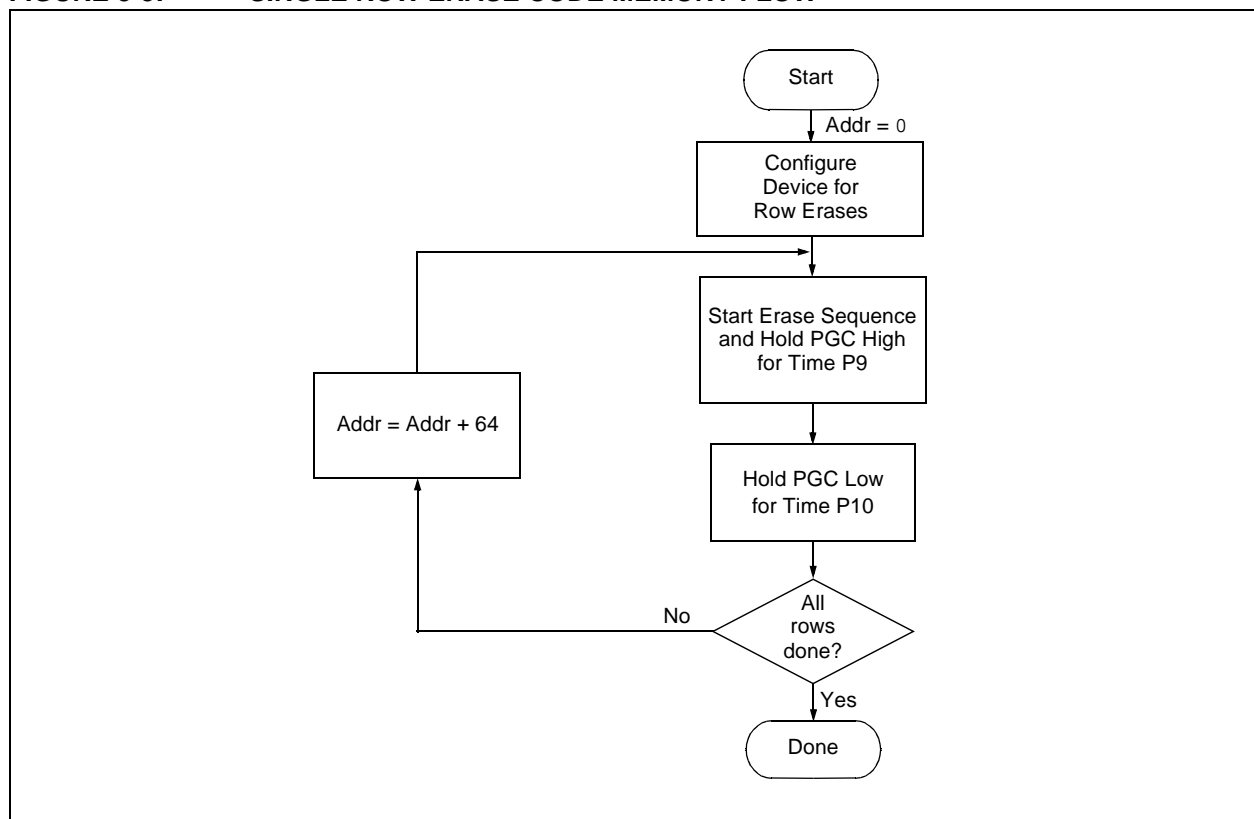


# PIC18F2XXX/4XXX FAMILY

**TABLE 3-3: ERASE CODE MEMORY CODE SEQUENCE**

4-Bit Command	Data Payload	Core Instruction
Step 1: Direct access to code memory and enable writes.		
0000	8E A6	BSF EECON1, EEPGD
0000	9C A6	BCF EECON1, CFGS
0000	84 A6	BSF EECON1, WREN
Step 2: Point to first row in code memory.		
0000	6A F8	CLRF TBLPTRU
0000	6A F7	CLRF TBLPTRH
0000	6A F6	CLRF TBLPTRL
Step 3: Enable erase and erase single row.		
0000	88 A6	BSF EECON1, FREE
0000	82 A6	BSF EECON1, WR
0000	00 00	NOP - hold PGC high for time P9 and low for time P10.
Step 4: Repeat Step 3, with the Address Pointer incremented by 64 until all rows are erased.		

**FIGURE 3-3: SINGLE ROW ERASE CODE MEMORY FLOW**



# PIC18F2XXX/4XXX FAMILY

## 3.2 Code Memory Programming

Programming code memory is accomplished by first loading data into the write buffer and then initiating a programming sequence. The write and erase buffer sizes, shown in [Table 3-4](#), can be mapped to any location of the same size, beginning at 000000h. The actual memory write sequence takes the contents of this buffer and programs the proper amount of code memory that contains the Table Pointer.

The programming duration is externally timed and is controlled by PGC. After a Start Programming command is issued (4-bit command, '1111'), a NOP is issued, where the 4th PGC is held high for the duration of the programming time, P9.

After PGC is brought low, the programming sequence is terminated. PGC must be held low for the time specified by Parameter P10 to allow high-voltage discharge of the memory array.

The code sequence to program a PIC18F2XXX/4XXX Family device is shown in [Table 3-5](#). The flowchart, shown in [Figure 3-4](#), depicts the logic necessary to completely write a PIC18F2XXX/4XXX Family device. The timing diagram that details the Start Programming command and Parameters P9 and P10 is shown in [Figure 3-5](#).

**Note:** The TBLPTR register must point to the same region when initiating the programming sequence as it did when the write buffers were loaded.

**TABLE 3-4: WRITE AND ERASE BUFFER SIZES**

Devices (Arranged by Family)	Write Buffer Size (Bytes)	Erase Buffer Size (Bytes)
PIC18F2221, PIC18F2321, PIC18F4221, PIC18F4321	8	64
PIC18F2450, PIC18F4450	16	64
PIC18F2410, PIC18F2510, PIC18F4410, PIC18F4510	32	64
PIC18F2420, PIC18F2520, PIC18F4420, PIC18F4520		
PIC18F2423, PIC18F2523, PIC18F4423, PIC18F4523		
PIC18F2480, PIC18F2580, PIC18F4480, PIC18F4580		
PIC18F2455, PIC18F2550, PIC18F4455, PIC18F4550		
PIC18F2458, PIC18F2553, PIC18F4458, PIC18F4553		
PIC18F2515, PIC18F2610, PIC18F4515, PIC18F4610	64	64
PIC18F2525, PIC18F2620, PIC18F4525, PIC18F4620		
PIC18F2585, PIC18F2680, PIC18F4585, PIC18F4680		
PIC18F2682, PIC18F2685, PIC18F4682, PIC18F4685		



# PIC18F2XXX/4XXX FAMILY

**TABLE 3-5: WRITE CODE MEMORY CODE SEQUENCE**

4-Bit Command	Data Payload	Core Instruction
Step 1: Direct access to code memory and enable writes.		
0000	8E A6	BSF EECON1, EEPGD
0000	9C A6	BCF EECON1, CFGS
Step 2: Load write buffer.		
0000	0E <Addr[21:16]>	MOVLW <Addr[21:16]>
0000	6E F8	MOVWF TBLPTRU
0000	0E <Addr[15:8]>	MOVLW <Addr[15:8]>
0000	6E F7	MOVWF TBLPTRH
0000	0E <Addr[7:0]>	MOVLW <Addr[7:0]>
0000	6E F6	MOVWF TBLPTRL
Step 3: Repeat for all but the last two bytes.		
1101	<MSB><LSB>	Write 2 bytes and post-increment address by 2.
Step 4: Load write buffer for last two bytes.		
1111	<MSB><LSB>	Write 2 bytes and start programming.
0000	00 00	NOP - hold PGC high for time P9 and low for time P10.
To continue writing data, repeat Steps 2 through 4, where the Address Pointer is incremented by 2 at each iteration of the loop.		



# PIC18F2XXX/4XXX FAMILY

## 3.2.1 MODIFYING CODE MEMORY

The previous programming example assumed that the device had been Bulk Erased prior to programming (see [Section 3.1.1 “High-Voltage ICSP Bulk Erase”](#)). It may be the case, however, that the user wishes to modify only a section of an already programmed device.

The appropriate number of bytes required for the erase buffer must be read out of code memory (as described in [Section 4.2 “Verify Code Memory and ID Locations”](#)) and buffered. Modifications can be made on this buffer. Then, the block of code memory that was read out must be erased and rewritten with the modified data.

The WREN bit must be set if the WR bit in EECON1 is used to initiate a write sequence.

**TABLE 3-6: MODIFYING CODE MEMORY**

4-Bit Command	Data Payload	Core Instruction
Step 1: Direct access to code memory.		
Step 2: Read and modify code memory (see <a href="#">Section 4.1 “Read Code Memory, ID Locations and Configuration Bits”</a> ).		
0000 0000	8E A6 9C A6	BSF EECON1, EEPGD BCF EECON1, CFGS
Step 3: Set the Table Pointer for the block to be erased.		
0000 0000 0000 0000 0000 0000	0E <Addr[21:16]> 6E F8 0E <Addr[8:15]> 6E F7 0E <Addr[7:0]> 6E F6	MOVLW <Addr[21:16]> MOVWF TBLPTRU MOVLW <Addr[8:15]> MOVWF TBLPTRH MOVLW <Addr[7:0]> MOVWF TBLPTRL
Step 4: Enable memory writes and set up an erase.		
0000 0000	84 A6 88 A6	BSF EECON1, WREN BSF EECON1, FREE
Step 5: Initiate erase.		
0000 0000	82 A6 00 00	BSF EECON1, WR NOP - hold PGC high for time P9 and low for time P10.
Step 6: Load write buffer. The correct bytes will be selected based on the Table Pointer.		
0000 0000 0000 0000 0000 0000 1101 . . . . 1111 0000	0E <Addr[21:16]> 6E F8 0E <Addr[8:15]> 6E F7 0E <Addr[7:0]> 6E F6 <MSB><LSB> . . . . <MSB><LSB> 00 00	MOVLW <Addr[21:16]> MOVWF TBLPTRU MOVLW <Addr[8:15]> MOVWF TBLPTRH MOVLW <Addr[7:0]> MOVWF TBLPTRL Write 2 bytes and post-increment address by 2.  Repeat as many times as necessary to fill the write buffer  Write 2 bytes and start programming. NOP - hold PGC high for time P9 and low for time P10.
To continue modifying data, repeat Steps 2 through 6, where the Address Pointer is incremented by the appropriate number of bytes (see <a href="#">Table 3-4</a> ) at each iteration of the loop. The write cycle must be repeated enough times to completely rewrite the contents of the erase buffer.		
Step 7: Disable writes.		
0000	94 A6	BCF EECON1, WREN

# PIC18F2XXX/4XXX FAMILY

## 3.3 Data EEPROM Programming

<b>Note:</b> Data EEPROM programming is <b>not</b> available on the following devices:	
PIC18F2410	PIC18F4410
PIC18F2450	PIC18F4450
PIC18F2510	PIC18F4510
PIC18F2515	PIC18F4515
PIC18F2610	PIC18F4610

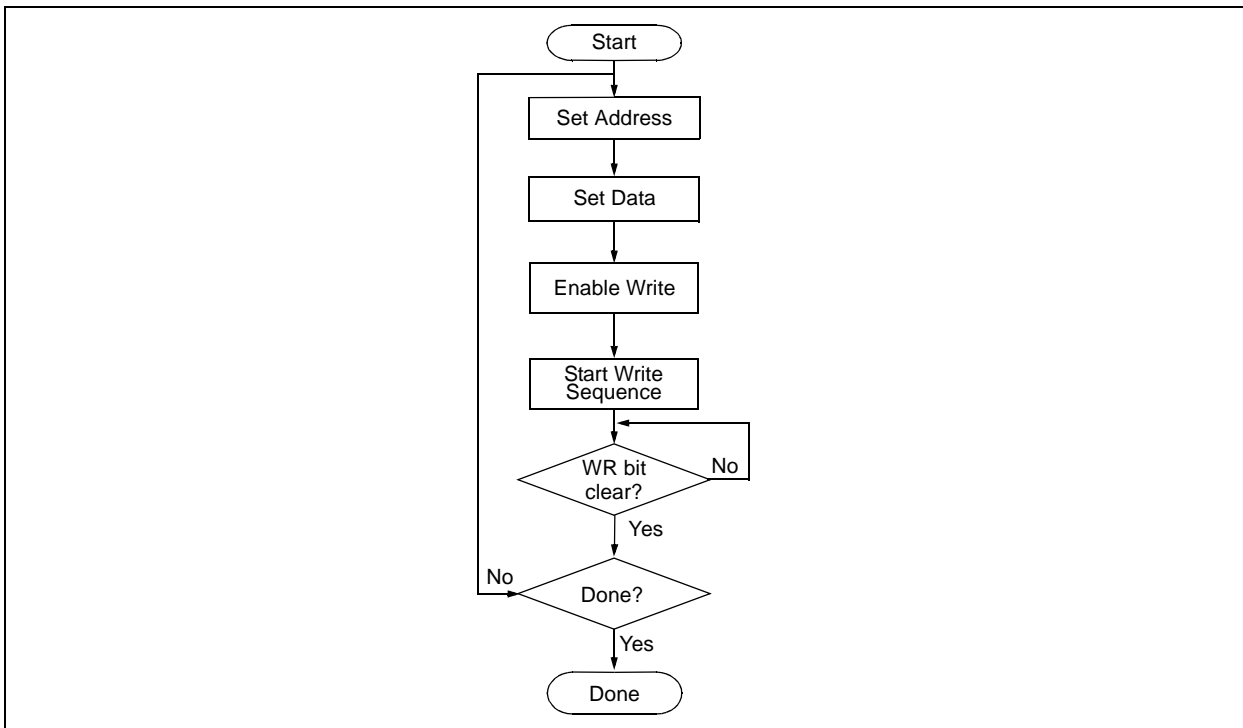
Data EEPROM is accessed one byte at a time via an Address Pointer (register pair: EEADRH:EEADR) and a data latch (EEDATA). Data EEPROM is written by loading EEADRH:EEADR with the desired memory location, EEDATA, with the data to be written and initiating a memory write by appropriately configuring the EECON1 register. A byte write automatically erases the location and writes the new data (erase-before-write).

When using the EECON1 register to perform a data EEPROM write, both the EEPGD and CFGS bits must be cleared ( $EECON1\langle 7:6 \rangle = 00$ ). The WREN bit must be set ( $EECON1\langle 2 \rangle = 1$ ) to enable writes of any sort and this must be done prior to initiating a write sequence. The write sequence is initiated by setting the WR bit ( $EECON1\langle 1 \rangle = 1$ ).

The write begins on the falling edge of the 4th PGC after the WR bit is set. It ends when the WR bit is cleared by hardware.

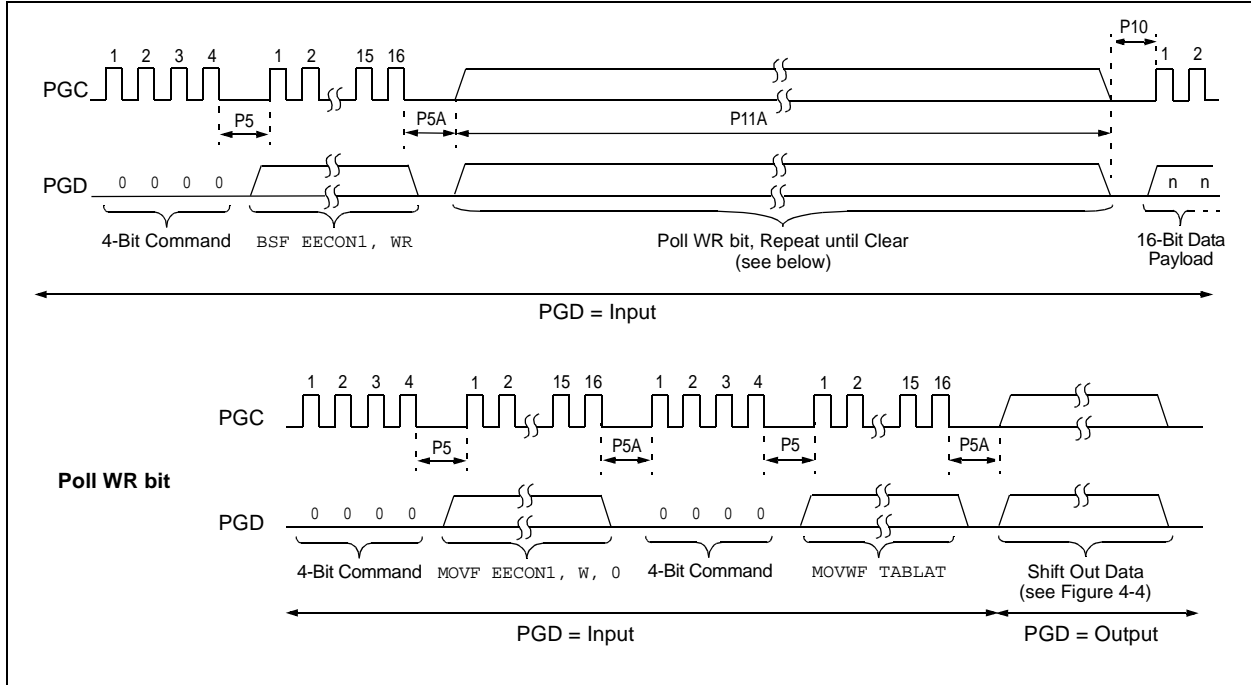
After the programming sequence terminates, PGC must still be held low for the time specified by Parameter P10 to allow high-voltage discharge of the memory array.

**FIGURE 3-6: PROGRAM DATA FLOW**



# PIC18F2XXX/4XXX FAMILY

**FIGURE 3-7: DATA EEPROM WRITE TIMING**



# PIC18F2XXX/4XXX FAMILY

**TABLE 3-7: PROGRAMMING DATA MEMORY**

4-Bit Command	Data Payload	Core Instruction
Step 1: Direct access to data EEPROM.		
0000	9E A6	BCF EECON1, EEPGD
0000	9C A6	BCF EECON1, CFGS
Step 2: Set the data EEPROM Address Pointer.		
0000	0E <Addr>	MOVLW <Addr>
0000	6E A9	MOVWF EEADR
0000	0E <AddrH>	MOVLW <AddrH>
0000	6E AA	MOVWF EEADRH
Step 3: Load the data to be written.		
0000	0E <Data>	MOVLW <Data>
0000	6E A8	MOVWF EEDATA
Step 4: Enable memory writes.		
0000	84 A6	BSF EECON1, WREN
Step 5: Initiate write.		
0000	82 A6	BSF EECON1, WR
Step 6: Poll WR bit, repeat until the bit is clear.		
0000	50 A6	MOVF EECON1, W, 0
0000	6E F5	MOVWF TABLAT
0000	00 00	NOP
0010	<MSB><LSB>	Shift out data <sup>(1)</sup>
Step 7: Hold PGC low for time P10.		
Step 8: Disable writes.		
0000	94 A6	BCF EECON1, WREN
Repeat Steps 2 through 8 to write more data.		

**Note 1:** See [Figure 4-4](#) for details on shift out data timing.

# PIC18F2XXX/4XXX FAMILY

## 3.4 ID Location Programming

The ID locations are programmed much like the code memory. The ID registers are mapped in addresses, 200000h through 200007h. These locations read out normally even after code protection.

**Note:** The user only needs to fill the first 8 bytes of the write buffer in order to write the ID locations.

Table 3-8 demonstrates the code sequence required to write the ID locations.

In order to modify the ID locations, refer to the methodology described in [Section 3.2.1 “Modifying Code Memory”](#). As with code memory, the ID locations must be erased before being modified.

**TABLE 3-8: WRITE ID SEQUENCE**

4-Bit Command	Data Payload	Core Instruction
Step 1: Direct access to code memory and enable writes.		
0000	8E A6	BSF EECON1, EEPGD
0000	9C A6	BCF EECON1, CFGS
Step 2: Load write buffer with 8 bytes and write.		
0000	0E 20	MOVLW 20h
0000	6E F8	MOVWF TBLPTRU
0000	0E 00	MOVLW 00h
0000	6E F7	MOVWF TBLPTRH
0000	0E 00	MOVLW 00h
0000	6E F6	MOVWF TBLPTRL
1101	<MSB><LSB>	Write 2 bytes and post-increment address by 2.
1101	<MSB><LSB>	Write 2 bytes and post-increment address by 2.
1101	<MSB><LSB>	Write 2 bytes and post-increment address by 2.
1111	<MSB><LSB>	Write 2 bytes and start programming.
0000	00 00	NOP - hold PGC high for time P9 and low for time P10.

## 3.5 Boot Block Programming

The code sequence detailed in [Table 3-5](#) should be used, except that the address used in “Step 2” will be in the range of 000000h to 0007FFh.

## 3.6 Configuration Bits Programming

Unlike code memory, the Configuration bits are programmed a byte at a time. The Table Write, Begin Programming 4-bit command ('1111') is used, but only eight bits of the following 16-bit payload will be written. The LSB of the payload will be written to even addresses and the MSB will be written to odd addresses. The code sequence to program two consecutive configuration locations is shown in [Table 3-9](#).

**Note:** The address must be explicitly written for each byte programmed. The addresses can not be incremented in this mode.

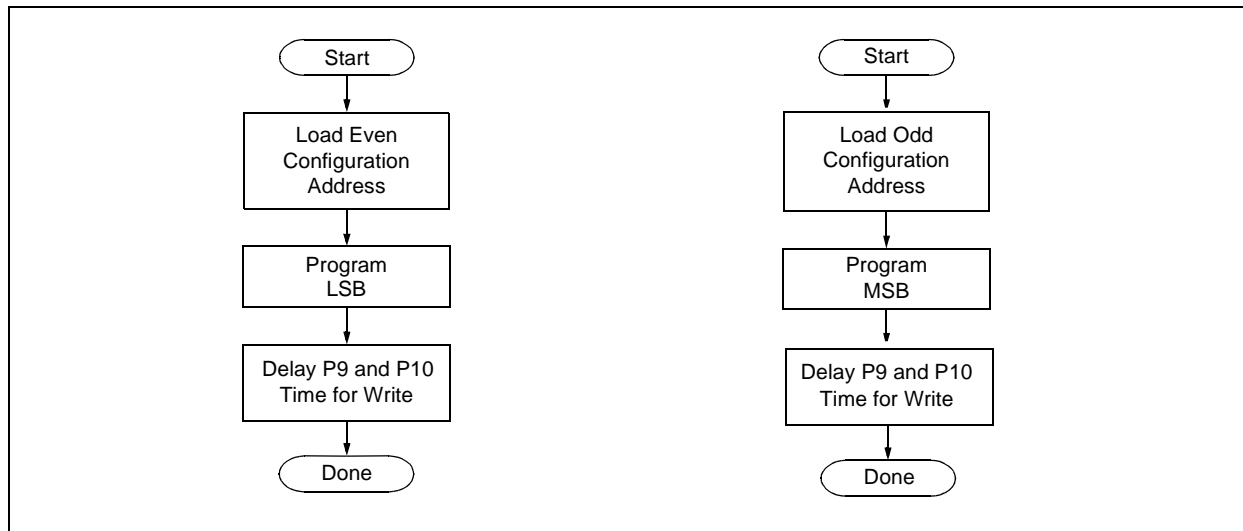
# PIC18F2XXX/4XXX FAMILY

**TABLE 3-9: SET ADDRESS POINTER TO CONFIGURATION LOCATION**

4-Bit Command	Data Payload	Core Instruction
Step 1: Enable writes and direct access to configuration memory.		
0000	8E A6	BSF EECON1, EEPGD
0000	8C A6	BSF EECON1, CFGS
Step 2: Set Table Pointer for configuration byte to be written. Write even/odd addresses. <sup>(1)</sup>		
0000	0E 30	MOVLW 30h
0000	6E F8	MOVWF TBLPTRU
0000	0E 00	MOVLW 00h
0000	6E F7	MOVWF TBLPRTH
0000	0E 00	MOVLW 00h
0000	6E F6	MOVWF TBLPTRL
1111	<MSB ignored><LSB>	Load 2 bytes and start programming.
0000	00 00	NOP - hold PGC high for time P9 and low for time P10.
0000	0E 01	MOVLW 01h
0000	6E F6	MOVWF TBLPTRL
1111	<MSB><LSB ignored>	Load 2 bytes and start programming.
0000	00 00	NOP - hold PGC high for time P9 and low for time P10.

**Note 1:** Enabling the write protection of Configuration bits (WRTE = 0 in CONFIG6H) will prevent further writing of the Configuration bits. Always write all the Configuration bits before enabling the write protection for Configuration bits.

**FIGURE 3-8: CONFIGURATION PROGRAMMING FLOW**





# PIC18F2XXX/4XXX FAMILY

## 4.0 READING THE DEVICE

### 4.1 Read Code Memory, ID Locations and Configuration Bits

Code memory is accessed, one byte at a time, via the 4-bit command, '1001' (Table Read, post-increment). The contents of memory pointed to by the Table Pointer (TBLPTRU:TBLPTRH:TBLPTRL) are serially output on PGD.

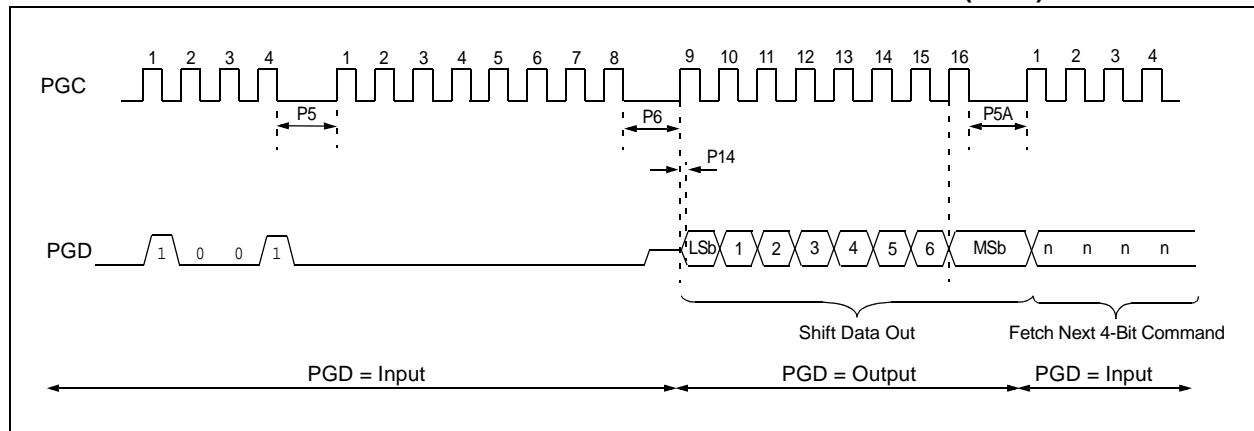
The 4-bit command is shifted in, LSb first. The read is executed during the next eight clocks, then shifted out on PGD during the last eight clocks, LSb to MSb. A delay of P6 must be introduced after the falling edge of the 8th PGC of the operand to allow PGD to transition from an input to an output. During this time, PGC must be held low (see Figure 4-1). This operation also increments the Table Pointer by one, pointing to the next byte in code memory for the next read.

This technique will work to read any memory in the 000000h to 3FFFFFFh address space, so it also applies to the reading of the ID and Configuration registers.

**TABLE 4-1: READ CODE MEMORY SEQUENCE**

4-Bit Command	Data Payload	Core Instruction
Step 1: Set Table Pointer.		
0000	0E <Addr[21:16]>	MOVLW Addr[21:16]
0000	6E F8	MOVWF TBLPTRU
0000	0E <Addr[15:8]>	MOVLW <Addr[15:8]>
0000	6E F7	MOVWF TBLPTRH
0000	0E <Addr[7:0]>	MOVLW <Addr[7:0]>
0000	6E F6	MOVWF TBLPTRL
Step 2: Read memory and then shift out on PGD, LSb to MSb.		
1001	00 00	TBLRD *+

**FIGURE 4-1: TABLE READ POST-INCREMENT INSTRUCTION TIMING (1001)**



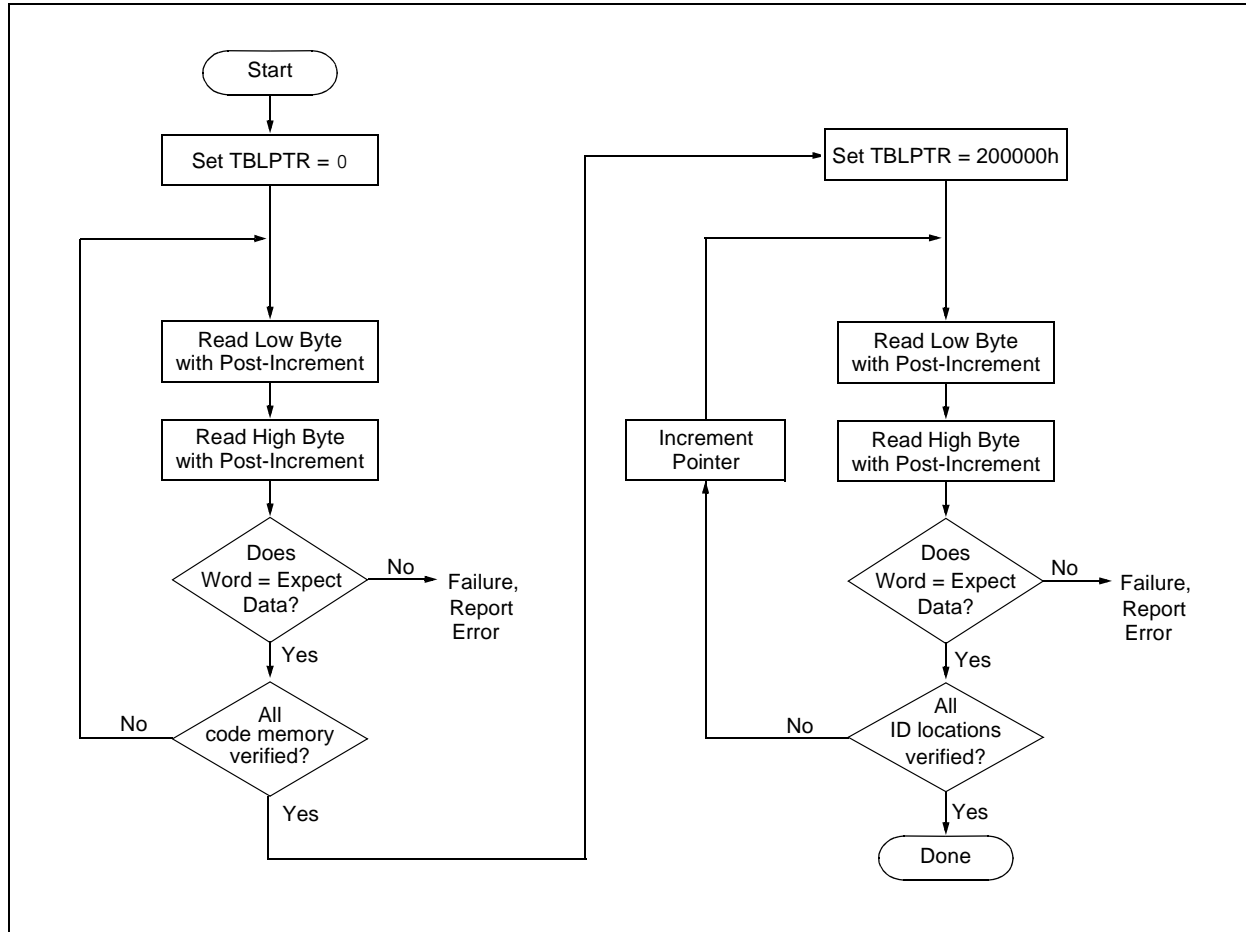
# PIC18F2XXX/4XXX FAMILY

## 4.2 Verify Code Memory and ID Locations

The verify step involves reading back the code memory space and comparing it against the copy held in the programmer's buffer. Memory reads occur a single byte at a time, so two bytes must be read to compare against the word in the programmer's buffer. Refer to [Section 4.1 "Read Code Memory, ID Locations and Configuration Bits"](#) for implementation details of reading code memory.

The Table Pointer must be manually set to 200000h (base address of the ID locations) once the code memory has been verified. The post-increment feature of the Table Read 4-bit command may not be used to increment the Table Pointer beyond the code memory space. In a 64-Kbyte device, for example, a post-increment read of address, FFFFh, will wrap the Table Pointer back to 000000h, rather than point to the unimplemented address, 010000h.

**FIGURE 4-2: VERIFY CODE MEMORY FLOW**



## 4.3 Verify Configuration Bits

A configuration address may be read and output on PGD via the 4-bit command, '1001'. Configuration data is read and written in a byte-wise fashion, so it is not necessary to merge two bytes into a word prior to a compare. The result may then be immediately compared to the appropriate configuration data in the programmer's memory for verification. Refer to [Section 4.1 "Read Code Memory, ID Locations and Configuration Bits"](#) for implementation details of reading configuration data.

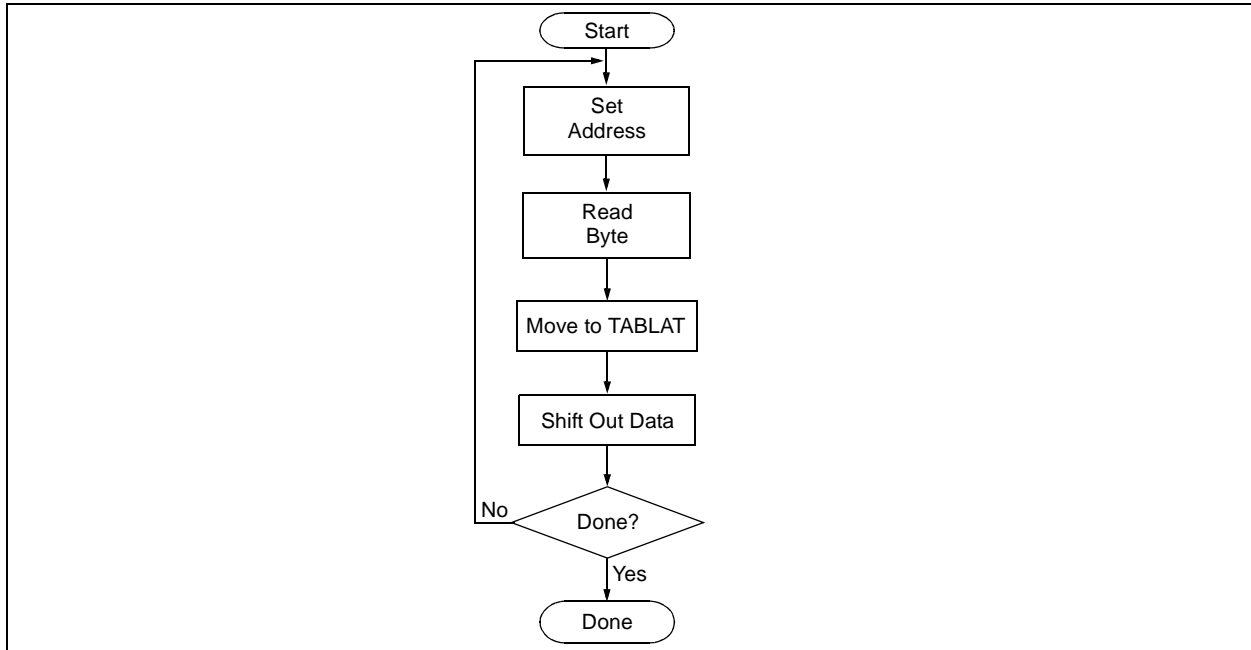
# PIC18F2XXX/4XXX FAMILY

## 4.4 Read Data EEPROM Memory

Data EEPROM is accessed, one byte at a time, via an Address Pointer (register pair: EEADRH:EEADR) and a data latch (EEDATA). Data EEPROM is read by loading EEADRH:EEADR with the desired memory location and initiating a memory read by appropriately configuring the EECON1 register. The data will be loaded into EEDATA, where it may be serially output on PGD via the 4-bit command, '0010' (Shift Out Data Holding register). A delay of P6 must be introduced after the falling edge of the 8th PGC of the operand to allow PGD to transition from an input to an output. During this time, PGC must be held low (see [Figure 4-4](#)).

The command sequence to read a single byte of data is shown in [Table 4-2](#).

**FIGURE 4-3: READ DATA EEPROM FLOW**



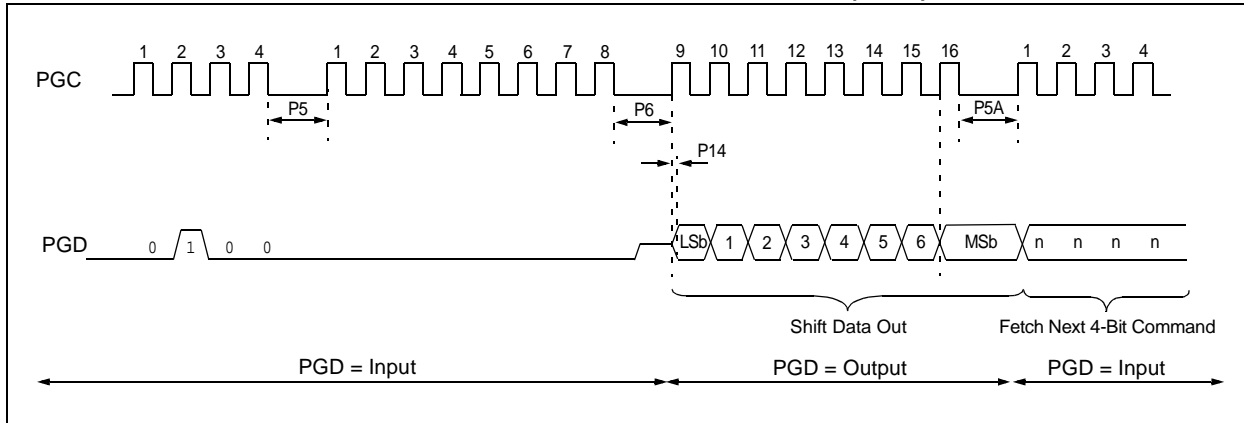
**TABLE 4-2: READ DATA EEPROM MEMORY**

4-Bit Command	Data Payload	Core Instruction
Step 1: Direct access to data EEPROM.		
0000	9E A6	BCF EECON1, EEPGD
0000	9C A6	BCF EECON1, CFGS
Step 2: Set the data EEPROM Address Pointer.		
0000	0E <Addr>	MOVLW <Addr>
0000	6E A9	MOVWF EEADR
0000	0E <AddrH>	MOVLW <AddrH>
0000	6E AA	MOVWF EEADRH
Step 3: Initiate a memory read.		
0000	80 A6	BSF EECON1, RD
Step 4: Load data into the Serial Data Holding register.		
0000	50 A8	MOVF EEDATA, W, 0
0000	6E F5	MOVWF TABLAT
0000	00 00	NOP
0010	<MSB><LSB>	Shift Out Data <sup>(1)</sup>

**Note 1:** The <LSB> is undefined. The <MSB> is the data.

# PIC18F2XXX/4XXX FAMILY

**FIGURE 4-4: SHIFT OUT DATA HOLDING REGISTER TIMING (0010)**



## 4.5 Verify Data EEPROM

A data EEPROM address may be read via a sequence of core instructions (4-bit command, '0000') and then output on PGD via the 4-bit command, '0010' (TABLAT register). The result may then be immediately compared to the appropriate data in the programmer's memory for verification. Refer to [Section 4.4 "Read Data EEPROM Memory"](#) for implementation details of reading data EEPROM.

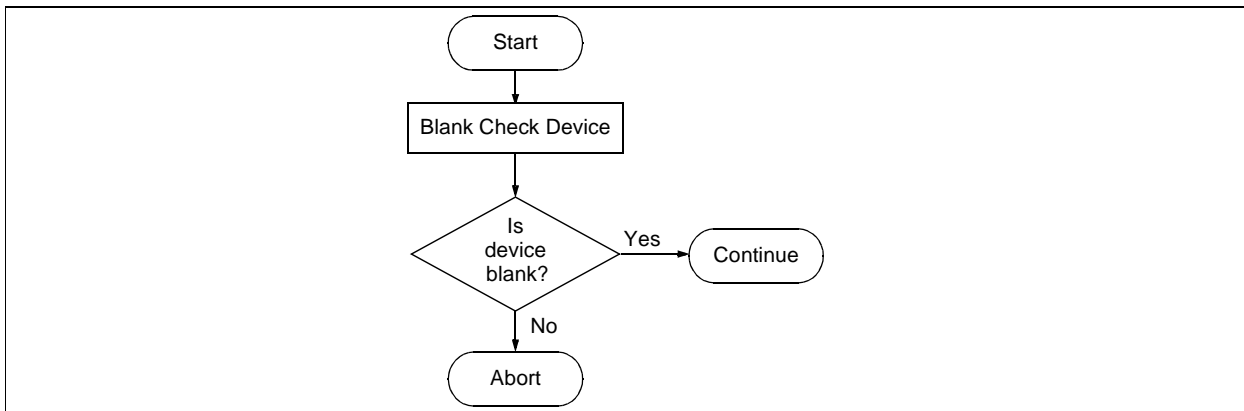
## 4.6 Blank Check

The term Blank Check means to verify that the device has no programmed memory cells. All memories must be verified: code memory, data EEPROM, ID locations and Configuration bits. The Device ID registers (3FFFFEh:3FFFFFFh) should be ignored.

A "blank" or "erased" memory cell will read as '1'. Therefore, Blank Checking a device merely means to verify that all bytes read as FFh, except the Configuration bits. Unused (reserved) Configuration bits will read '0' (programmed). Refer to [Figure 4-5](#) for blank configuration expect data for the various PIC18F2XXX/4XXX Family devices.

Given that Blank Checking is merely code and data EEPROM verification with FFh expect data, refer to [Section 4.4 "Read Data EEPROM Memory"](#) and [Section 4.2 "Verify Code Memory and ID Locations"](#) for implementation details.

**FIGURE 4-5: BLANK CHECK FLOW**



## 5.0 CONFIGURATION WORD

The PIC18F2XXX/4XXX Family devices have several Configuration Words. These bits can be set or cleared to select various device configurations. All other memory areas should be programmed and verified prior to setting the Configuration Words. These bits may be read out normally, even after read or code protection. See [Table 5-1](#) for a list of Configuration bits and Device IDs, and [Table 5-3](#) for the Configuration bit descriptions.

## 5.1 ID Locations

A user may store identification information (ID) in eight ID locations, mapped in 200000h:200007h. It is recommended that the Most Significant nibble of each ID be Fh. In doing so, if the user code inadvertently tries to execute from the ID space, the ID data will execute as a NOP.

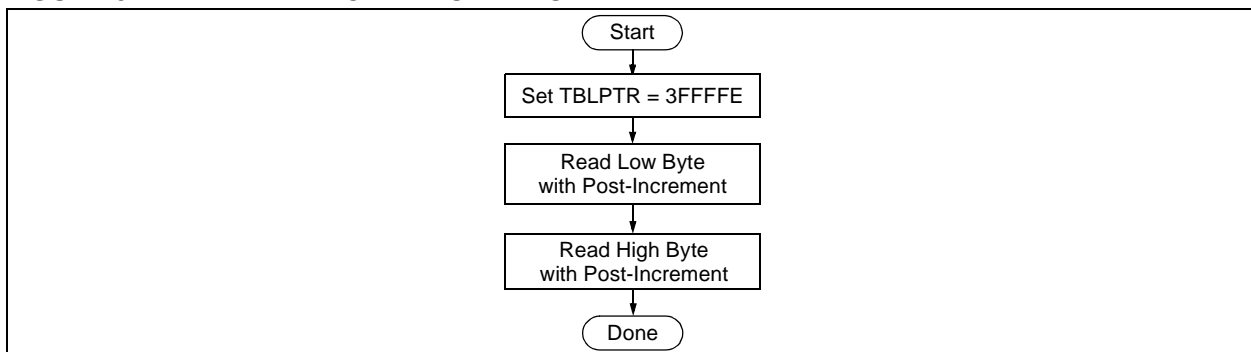
## 5.2 Device ID Word

The Device ID Word for the PIC18F2XXX/4XXX Family devices is located at 3FFFEh:3FFFFh. These bits may be used by the programmer to identify what device type is being programmed and read out normally, even after code or read protection.

In some cases, devices may share the same DEVID values. In such cases, the Most Significant bit of the device revision, REV4 (DEVID1<4>), will need to be examined to completely determine the device being accessed.

See [Table 5-2](#) for a complete list of Device ID values.

**FIGURE 5-1: READ DEVICE ID WORD FLOW**



# PIC18F2XXX/4XXX FAMILY

**TABLE 5-1: CONFIGURATION BITS AND DEVICE IDS**

File Name		Bit 7	Bit 6	Bit 5	Bit 4	Bit 3	Bit 2	Bit 1	Bit 0	Default/ Unprogrammed Value
300000h <sup>(1,8)</sup>	CONFIG1L	—	—	USBDIV	CPUDIV1	CPUDIV0	PLLDIV2	PLLDIV1	PLLDIV0	--00 0000
300001h	CONFIG1H	IESO	FCMEN	—	—	FOSC3	FOSC2	FOSC1	FOSC0	00-- 0111 00-- 0101 <sup>(1,8)</sup>
300002h	CONFIG2L	—	—	—	BORV1	BORV0	BOREN1	BOREN0	PWRTEN	---1 1111 --01 1111 <sup>(1,8)</sup>
300003h	CONFIG2H	—	—	—	WDTPS3	WDTPS2	WDTPS1	WDTPS0	WDTEN	---1 1111
300005h	CONFIG3H	MCLRE	—	—	—	—	LPT1OSC	PBADEN	CCP2MX <sup>(7)</sup>	1--- -011 <sup>(7)</sup> 1--- -01-
300006h	CONFIG4L	DEBUG	XINST	ICPRT <sup>(1)</sup>	—	—	LVP	—	STVREN	100- -1-1 <sup>(1)</sup>
				BBSIZ1	BBSIZ0	—				1000 -1-1
				—	BBSIZ <sup>(3)</sup>	—				10-0 -1-1 <sup>(3)</sup>
				ICPRT <sup>(8)</sup>	—	BBSIZ <sup>(8)</sup>				100- 01-1 <sup>(8)</sup>
				BBSIZ1 <sup>(2)</sup>	BBSIZ2 <sup>(2)</sup>	—				1000 -1-1 <sup>(2)</sup>
300008h	CONFIG5L	—	—	CP5 <sup>(10)</sup>	CP4 <sup>(9)</sup>	CP3 <sup>(4)</sup>	CP2 <sup>(4)</sup>	CP1	CP0	--11 1111
300009h	CONFIG5H	CPD	CPB	—	—	—	—	—	—	11-- ----
30000Ah	CONFIG6L	—	—	WRT5 <sup>(10)</sup>	WRT4 <sup>(9)</sup>	WRT3 <sup>(4)</sup>	WRT2 <sup>(4)</sup>	WRT1	WRT0	--11 1111
30000Bh	CONFIG6H	WRTD	WRTB	WRTC <sup>(5)</sup>	—	—	—	—	—	111- ----
30000Ch	CONFIG7L	—	—	EBTR5 <sup>(10)</sup>	EBTR4 <sup>(9)</sup>	EBTR3 <sup>(4)</sup>	EBTR2 <sup>(4)</sup>	EBTR1	EBTR0	--11 1111
30000Dh	CONFIG7H	—	EBTRB	—	—	—	—	—	—	-1-- ----
3FFFFEh	DEVID1 <sup>(6)</sup>	DEV2	DEV1	DEV0	REV4	REV3	REV2	REV1	REV0	See Table 5-2
3FFFFFh	DEVID2 <sup>(6)</sup>	DEV10	DEV9	DEV8	DEV7	DEV6	DEV5	DEV4	DEV3	See Table 5-2

**Legend:** — = unimplemented. Shaded cells are unimplemented, read as '0'.

- Note**
- 1: Implemented only on PIC18F2455/2550/4455/4550 and PIC18F2458/2553/4458/4553 devices.
  - 2: Implemented on PIC18F2585/2680/4585/4680, PIC18F2682/2685 and PIC18F4682/4685 devices only.
  - 3: Implemented on PIC18F2480/2580/4480/4580 devices only.
  - 4: These bits are only implemented on specific devices based on available memory. Refer to [Section 2.3 "Memory Maps"](#).
  - 5: In PIC18F2480/2580/4480/4580 devices, this bit is read-only in Normal Execution mode; it can be written only in Program mode.
  - 6: DEVID registers are read-only and cannot be programmed by the user.
  - 7: Implemented on all devices with the exception of the PIC18FXX8X and PIC18F2450/4450 devices.
  - 8: Implemented on PIC18F2450/4450 devices only.
  - 9: Implemented on PIC18F2682/2685 and PIC18F4682/4685 devices only.
  - 10: Implemented on PIC18F2685/4685 devices only.

# PIC18F2XXX/4XXX FAMILY

**TABLE 5-2: DEVICE ID VALUES**

Device	Device ID Value	
	DEVID2	DEVID1
PIC18F2221	21h	011x xxxx
PIC18F2321	21h	001x xxxx
PIC18F2410	11h	011x xxxx
PIC18F2420	11h	010x xxxx <sup>(1)</sup>
PIC18F2423	11h	010x xxxx <sup>(2)</sup>
PIC18F2450	24h	001x xxxx
PIC18F2455	12h	011x xxxx
PIC18F2458	2Ah	011x xxxx
PIC18F2480	1Ah	111x xxxx
PIC18F2510	11h	001x xxxx
PIC18F2515	0Ch	111x xxxx
PIC18F2520	11h	000x xxxx <sup>(1)</sup>
PIC18F2523	11h	000x xxxx <sup>(2)</sup>
PIC18F2525	0Ch	110x xxxx
PIC18F2550	12h	010x xxxx
PIC18F2553	2Ah	010x xxxx
PIC18F2580	1Ah	110x xxxx
PIC18F2585	0Eh	111x xxxx
PIC18F2610	0Ch	101x xxxx
PIC18F2620	0Ch	100x xxxx
PIC18F2680	0Eh	110x xxxx
PIC18F2682	27h	000x xxxx
PIC18F2685	27h	001x xxxx
PIC18F4221	21h	010x xxxx
PIC18F4321	21h	000x xxxx
PIC18F4410	10h	111x xxxx
PIC18F4420	10h	110x xxxx <sup>(1)</sup>
PIC18F4423	10h	110x xxxx <sup>(2)</sup>
PIC18F4450	24h	000x xxxx
PIC18F4455	12h	001x xxxx
PIC18F4458	2Ah	001x xxxx
PIC18F4480	1Ah	101x xxxx
PIC18F4510	10h	101x xxxx
PIC18F4515	0Ch	011x xxxx
PIC18F4520	10h	100x xxxx <sup>(1)</sup>
PIC18F4523	10h	100x xxxx <sup>(2)</sup>
PIC18F4525	0Ch	010x xxxx
PIC18F4550	12h	000x xxxx
PIC18F4553	2Ah	000x xxxx
PIC18F4580	1Ah	100x xxxx

**Legend:** The 'x's in DEVID1 contain the device revision code.

**Note 1:** DEVID1 bit 4 is used to determine the device type (REV4 = 0).

**2:** DEVID1 bit 4 is used to determine the device type (REV4 = 1).

# PIC18F2XXX/4XXX FAMILY

---

---

TABLE 5-2: DEVICE ID VALUES (CONTINUED)

Device	Device ID Value	
	DEVID2	DEVID1
PIC18F4585	0Eh	101x xxxx
PIC18F4610	0Ch	001x xxxx
PIC18F4620	0Ch	000x xxxx
PIC18F4680	0Eh	100x xxxx
PIC18F4682	27h	010x xxxx
PIC18F4685	27h	011x xxxx

**Legend:** The 'x's in DEVID1 contain the device revision code.

**Note 1:** DEVID1 bit 4 is used to determine the device type (REV4 = 0).

**Note 2:** DEVID1 bit 4 is used to determine the device type (REV4 = 1).



# PIC18F2XXX/4XXX FAMILY

**TABLE 5-3: PIC18F2XXX/4XXX FAMILY BIT DESCRIPTIONS**

Bit Name	Configuration Words	Description
IESO	CONFIG1H	Internal External Switchover bit 1 = Internal External Switchover mode is enabled 0 = Internal External Switchover mode is disabled
FCMEN	CONFIG1H	Fail-Safe Clock Monitor Enable bit 1 = Fail-Safe Clock Monitor is enabled 0 = Fail-Safe Clock Monitor is disabled
FOSC<3:0>	CONFIG1H	Oscillator Selection bits 11xx = External RC oscillator, CLKO function on RA6 101x = External RC oscillator, CLKO function on RA6 1001 = Internal RC oscillator, CLKO function on RA6, port function on RA7 1000 = Internal RC oscillator, port function on RA6, port function on RA7 0111 = External RC oscillator, port function on RA6 0110 = HS oscillator, PLL is enabled (Clock Frequency = 4 x FOSC1) 0101 = EC oscillator, port function on RA6 0100 = EC oscillator, CLKO function on RA6 0011 = External RC oscillator, CLKO function on RA6 0010 = HS oscillator 0001 = XT oscillator 0000 = LP oscillator
FOSC<3:0>	CONFIG1H	Oscillator Selection bits <b>(PIC18F2455/2550/4455/4550, PIC18F2458/2553/4458/4553 and PIC18F2450/4450 devices only)</b> 111x = HS oscillator, PLL is enabled, HS is used by USB 110x = HS oscillator, HS is used by USB 1011 = Internal oscillator, HS is used by USB 1010 = Internal oscillator, XT is used by USB 1001 = Internal oscillator, CLKO function on RA6, EC is used by USB 1000 = Internal oscillator, port function on RA6, EC is used by USB 0111 = EC oscillator, PLL is enabled, CLKO function on RA6, EC is used by USB 0110 = EC oscillator, PLL is enabled, port function on RA6, EC is used by USB 0101 = EC oscillator, CLKO function on RA6, EC is used by USB 0100 = EC oscillator, port function on RA6, EC is used by USB 001x = XT oscillator, PLL is enabled, XT is used by USB 000x = XT oscillator, XT is used by USB
USBDIV	CONFIG1L	USB Clock Selection bit <b>(PIC18F2455/2550/4455/4550, PIC18F2458/2553/4458/4553 and PIC18F2450/4450 devices only)</b> Selects the clock source for full-speed USB operation: 1 = USB clock source comes from the 96 MHz PLL divided by 2 0 = USB clock source comes directly from the OSC1/OSC2 oscillator block; no divide
CPUDIV<1:0>	CONFIG1L	CPU System Clock Selection bits <b>(PIC18F2455/2550/4455/4550, PIC18F2458/2553/4458/4553 and PIC18F2450/4450 devices only)</b> 11 = CPU system clock divided by 4 10 = CPU system clock divided by 3 01 = CPU system clock divided by 2 00 = No CPU system clock divide

**Note 1:** The BBSIZ bits, BBSIZ<1:0> and BBSIZ<2:1> bits, cannot be changed once any of the following code-protect bits are enabled: CPB or CP0, WRTB or WRT0, EBTRB or EBTR0.

**2:** Not available in PIC18FXX8X and PIC18F2450/4450 devices.

# PIC18F2XXX/4XXX FAMILY

**TABLE 5-3: PIC18F2XXX/4XXX FAMILY BIT DESCRIPTIONS (CONTINUED)**

Bit Name	Configuration Words	Description
PLLDIV<2:0>	CONFIG1L	Oscillator Selection bits <b>(PIC18F2455/2550/4455/4550, PIC18F2458/2553/4458/4553 and PIC18F2450/4450 devices only)</b> Divider must be selected to provide a 4 MHz input into the 96 MHz PLL: 111 = Oscillator divided by 12 (48 MHz input) 110 = Oscillator divided by 10 (40 MHz input) 101 = Oscillator divided by 6 (24 MHz input) 100 = Oscillator divided by 5 (20 MHz input) 011 = Oscillator divided by 4 (16 MHz input) 010 = Oscillator divided by 3 (12 MHz input) 001 = Oscillator divided by 2 (8 MHz input) 000 = No divide – oscillator used directly (4 MHz input)
VREGEN	CONFIG2L	USB Voltage Regulator Enable bit <b>(PIC18F2455/2550/4455/4550, PIC18F2458/2553/4458/4553 and PIC18F2450/4450 devices only)</b> 1 = USB voltage regulator is enabled 0 = USB voltage regulator is disabled
BORV<1:0>	CONFIG2L	Brown-out Reset Voltage bits 11 = VBOR is set to 2.0V 10 = VBOR is set to 2.7V 01 = VBOR is set to 4.2V 00 = VBOR is set to 4.5V
BOREN<1:0>	CONFIG2L	Brown-out Reset Enable bits 11 = Brown-out Reset is enabled in hardware only (SBOREN is disabled) 10 = Brown-out Reset is enabled in hardware only and disabled in Sleep mode (SBOREN is disabled) 01 = Brown-out Reset is enabled and controlled by software (SBOREN is enabled) 00 = Brown-out Reset is disabled in hardware and software
PWRTEN	CONFIG2L	Power-up Timer Enable bit 1 = PWRT is disabled 0 = PWRT is enabled
WDPS<3:0>	CONFIG2H	Watchdog Timer Postscaler Select bits 1111 = 1:32,768 1110 = 1:16,384 1101 = 1:8,192 1100 = 1:4,096 1011 = 1:2,048 1010 = 1:1,024 1001 = 1:512 1000 = 1:256 0111 = 1:128 0110 = 1:64 0101 = 1:32 0100 = 1:16 0011 = 1:8 0010 = 1:4 0001 = 1:2 0000 = 1:1

**Note 1:** The BBSIZ bits, BBSIZ<1:0> and BBSIZ<2:1> bits, cannot be changed once any of the following code-protect bits are enabled: CPB or CP0, WRTB or WRT0, EBTRB or EBTR0.

**2:** Not available in PIC18FXX8X and PIC18F2450/4450 devices.

# PIC18F2XXX/4XXX FAMILY

**TABLE 5-3: PIC18F2XXX/4XXX FAMILY BIT DESCRIPTIONS (CONTINUED)**

Bit Name	Configuration Words	Description
WDTEN	CONFIG2H	Watchdog Timer Enable bit 1 = WDT is enabled 0 = WDT is disabled (control is placed on the SWDTEN bit)
MCLRE	CONFIG3H	MCLR Pin Enable bit 1 = MCLR pin is enabled, RE3 input pin is disabled 0 = RE3 input pin is enabled, MCLR pin is disabled
LPT1OSC	CONFIG3H	Low-Power Timer1 Oscillator Enable bit 1 = Timer1 is configured for low-power operation 0 = Timer1 is configured for high-power operation
PBADEN	CONFIG3H	PORTB A/D Enable bit 1 = PORTB A/D<4:0> pins are configured as analog input channels on Reset 0 = PORTB A/D<4:0> pins are configured as digital I/O on Reset
PBADEN	CONFIG3H	PORTB A/D Enable bit ( <b>PIC18FXX8X devices only</b> ) 1 = PORTB A/D<4:0> and PORTB A/D<1:0> pins are configured as analog input channels on Reset 0 = PORTB A/D<4:0> pins are configured as digital I/O on Reset
CCP2MX	CONFIG3H	CCP2 MUX bit 1 = CCP2 input/output is multiplexed with RC1 <sup>(2)</sup> 0 = CCP2 input/output is multiplexed with RB3
DEBUG	CONFIG4L	Background Debugger Enable bit 1 = Background debugger is disabled, RB6 and RB7 are configured as general purpose I/O pins 0 = Background debugger is enabled, RB6 and RB7 are dedicated to In-Circuit Debug
XINST	CONFIG4L	Extended Instruction Set Enable bit 1 = Instruction set extension and Indexed Addressing mode are enabled 0 = Instruction set extension and Indexed Addressing mode are disabled (Legacy mode)
ICPRT	CONFIG4L	Dedicated In-Circuit (ICD/ICSP™) Port Enable bit ( <b>PIC18F2455/2550/4455/4550, PIC18F2458/2553/4458/4553 and PIC18F2450/4450 devices only</b> ) 1 = ICPORT is enabled 0 = ICPORT is disabled
BBSIZ<1:0> <sup>(1)</sup>	CONFIG4L	Boot Block Size Select bits ( <b>PIC18F2585/2680/4585/4680 devices only</b> ) 11 = 4K words (8 Kbytes) Boot Block 10 = 4K words (8 Kbytes) Boot Block 01 = 2K words (4 Kbytes) Boot Block 00 = 1K word (2 Kbytes) Boot Block
BBSIZ<2:1> <sup>(1)</sup>	CONFIG4L	Boot Block Size Select bits ( <b>PIC18F2682/2685/4582/4685 devices only</b> ) 11 = 4K words (8 Kbytes) Boot Block 10 = 4K words (8 Kbytes) Boot Block 01 = 2K words (4 Kbytes) Boot Block 00 = 1K word (2 Kbytes) Boot Block

**Note 1:** The BBSIZ bits, BBSIZ<1:0> and BBSIZ<2:1> bits, cannot be changed once any of the following code-protect bits are enabled: CPB or CP0, WRTB or WRT0, EBTRB or EBTR0.

**2:** Not available in PIC18FXX8X and PIC18F2450/4450 devices.

# PIC18F2XXX/4XXX FAMILY

**TABLE 5-3: PIC18F2XXX/4XXX FAMILY BIT DESCRIPTIONS (CONTINUED)**

Bit Name	Configuration Words	Description
BBSIZ<1:0> <sup>(1)</sup>	CONFIG4L	<p>Boot Block Size Select bits (<b>PIC18F2321/4321 devices only</b>)</p> <p>11 = 1K word (2 Kbytes) Boot Block            10 = 1K word (2 Kbytes) Boot Block            01 = 512 words (1 Kbyte) Boot Block            00 = 256 words (512 bytes) Boot Block</p> <p>Boot Block Size Select bits (<b>PIC18F2221/4221 devices only</b>)</p> <p>11 = 512 words (1 Kbyte) Boot Block            10 = 512 words (1 Kbyte) Boot Block            01 = 512 words (1 Kbyte) Boot Block            00 = 256 words (512 bytes) Boot Block</p>
BBSIZ <sup>(1)</sup>	CONFIG4L	<p>Boot Block Size Select bits  <b>(PIC18F2480/2580/4480/4580 and PIC18F2450/4450 devices only)</b></p> <p>1 = 2K words (4 Kbytes) Boot Block            0 = 1K word (2 Kbytes) Boot Block</p>
LVP	CONFIG4L	<p>Low-Voltage Programming Enable bit</p> <p>1 = Low-Voltage Programming is enabled, RB5 is the PGM pin            0 = Low-Voltage Programming is disabled, RB5 is an I/O pin</p>
STVREN	CONFIG4L	<p>Stack Overflow/Underflow Reset Enable bit</p> <p>1 = Reset on stack overflow/underflow is enabled            0 = Reset on stack overflow/underflow is disabled</p>
CP5	CONFIG5L	<p>Code Protection bit (Block 5 code memory area)  <b>(PIC18F2685 and PIC18F4685 devices only)</b></p> <p>1 = Block 5 is not code-protected            0 = Block 5 is code-protected</p>
CP4	CONFIG5L	<p>Code Protection bit (Block 4 code memory area)  <b>(PIC18F2682/2685 and PIC18F4682/4685 devices only)</b></p> <p>1 = Block 4 is not code-protected            0 = Block 4 is code-protected</p>
CP3	CONFIG5L	<p>Code Protection bit (Block 3 code memory area)</p> <p>1 = Block 3 is not code-protected            0 = Block 3 is code-protected</p>
CP2	CONFIG5L	<p>Code Protection bit (Block 2 code memory area)</p> <p>1 = Block 2 is not code-protected            0 = Block 2 is code-protected</p>
CP1	CONFIG5L	<p>Code Protection bit (Block 1 code memory area)</p> <p>1 = Block 1 is not code-protected            0 = Block 1 is code-protected</p>
CP0	CONFIG5L	<p>Code Protection bit (Block 0 code memory area)</p> <p>1 = Block 0 is not code-protected            0 = Block 0 is code-protected</p>
CPD	CONFIG5H	<p>Code Protection bit (Data EEPROM)</p> <p>1 = Data EEPROM is not code-protected            0 = Data EEPROM is code-protected</p>
CPB	CONFIG5H	<p>Code Protection bit (Boot Block memory area)</p> <p>1 = Boot Block is not code-protected            0 = Boot Block is code-protected</p>

**Note 1:** The BBSIZ bits, BBSIZ<1:0> and BBSIZ<2:1> bits, cannot be changed once any of the following code-protect bits are enabled: CPB or CP0, WRTB or WRT0, EBTRB or EBTR0.

**2:** Not available in PIC18FXX8X and PIC18F2450/4450 devices.

# PIC18F2XXX/4XXX FAMILY

**TABLE 5-3: PIC18F2XXX/4XXX FAMILY BIT DESCRIPTIONS (CONTINUED)**

Bit Name	Configuration Words	Description
WRT5	CONFIG6L	Write Protection bit (Block 5 code memory area) <b>(PIC18F2685 and PIC18F4685 devices only)</b> 1 = Block 5 is not write-protected 0 = Block 5 is write-protected
WRT4	CONFIG6L	Write Protection bit (Block 4 code memory area) <b>(PIC18F2682/2685 and PIC18F4682/4685 devices only)</b> 1 = Block 4 is not write-protected 0 = Block 4 is write-protected
WRT3	CONFIG6L	Write Protection bit (Block 3 code memory area) 1 = Block 3 is not write-protected 0 = Block 3 is write-protected
WRT2	CONFIG6L	Write Protection bit (Block 2 code memory area) 1 = Block 2 is not write-protected 0 = Block 2 is write-protected
WRT1	CONFIG6L	Write Protection bit (Block 1 code memory area) 1 = Block 1 is not write-protected 0 = Block 1 is write-protected
WRT0	CONFIG6L	Write Protection bit (Block 0 code memory area) 1 = Block 0 is not write-protected 0 = Block 0 is write-protected
WRTD	CONFIG6H	Write Protection bit (Data EEPROM) 1 = Data EEPROM is not write-protected 0 = Data EEPROM is write-protected
WRTB	CONFIG6H	Write Protection bit (Boot Block memory area) 1 = Boot Block is not write-protected 0 = Boot Block is write-protected
WRTC	CONFIG6H	Write Protection bit (Configuration registers) 1 = Configuration registers are not write-protected 0 = Configuration registers are write-protected
EBTR5	CONFIG7L	Table Read Protection bit (Block 5 code memory area) <b>(PIC18F2685 and PIC18F4685 devices only)</b> 1 = Block 5 is not protected from Table Reads executed in other blocks 0 = Block 5 is protected from Table Reads executed in other blocks
EBTR4	CONFIG7L	Table Read Protection bit (Block 4 code memory area) <b>(PIC18F2682/2685 and PIC18F4682/4685 devices only)</b> 1 = Block 4 is not protected from Table Reads executed in other blocks 0 = Block 4 is protected from Table Reads executed in other blocks
EBTR3	CONFIG7L	Table Read Protection bit (Block 3 code memory area) 1 = Block 3 is not protected from Table Reads executed in other blocks 0 = Block 3 is protected from Table Reads executed in other blocks
EBTR2	CONFIG7L	Table Read Protection bit (Block 2 code memory area) 1 = Block 2 is not protected from Table Reads executed in other blocks 0 = Block 2 is protected from Table Reads executed in other blocks
EBTR1	CONFIG7L	Table Read Protection bit (Block 1 code memory area) 1 = Block 1 is not protected from Table Reads executed in other blocks 0 = Block 1 is protected from Table Reads executed in other blocks

**Note 1:** The BBSIZ bits, BBSIZ<1:0> and BBSIZ<2:1> bits, cannot be changed once any of the following code-protect bits are enabled: CPB or CP0, WRTB or WRT0, EBTRB or EBTR0.

**2:** Not available in PIC18FXX8X and PIC18F2450/4450 devices.

# PIC18F2XXX/4XXX FAMILY

TABLE 5-3: PIC18F2XXX/4XXX FAMILY BIT DESCRIPTIONS (CONTINUED)

Bit Name	Configuration Words	Description
EBTR0	CONFIG7L	Table Read Protection bit (Block 0 code memory area) 1 = Block 0 is not protected from Table Reads executed in other blocks 0 = Block 0 is protected from Table Reads executed in other blocks
EBTRB	CONFIG7H	Table Read Protection bit (Boot Block memory area) 1 = Boot Block is not protected from Table Reads executed in other blocks 0 = Boot Block is protected from Table Reads executed in other blocks
DEV<10:3>	DEVID2	Device ID bits These bits are used with the DEV<2:0> bits in the DEVID1 register to identify part number.
DEV<2:0>	DEVID1	Device ID bits These bits are used with the DEV<10:3> bits in the DEVID2 register to identify part number.
REV<4:0>	DEVID1	Revision ID bits These bits are used to indicate the revision of the device. The REV4 bit is sometimes used to fully specify the device type.

**Note 1:** The BBSIZ bits, BBSIZ<1:0> and BBSIZ<2:1> bits, cannot be changed once any of the following code-protect bits are enabled: CPB or CP0, WRTB or WRT0, EBTRB or EBTR0.

**2:** Not available in PIC18FXX8X and PIC18F2450/4450 devices.

# PIC18F2XXX/4XXX FAMILY

---

## 5.3 Single-Supply ICSP Programming

The LVP bit in Configuration register, CONFIG4L, enables Single-Supply (Low-Voltage) ICSP Programming. The LVP bit defaults to a '1' (enabled) from the factory.

If Single-Supply Programming mode is not used, the LVP bit can be programmed to a '0' and RB5/PGM becomes a digital I/O pin. However, the LVP bit may only be programmed by entering the High-Voltage ICSP mode, where MCLR/VPP/RE3 is raised to  $V_{IH}$ . Once the LVP bit is programmed to a '0', only the High-Voltage ICSP mode is available and only the High-Voltage ICSP mode can be used to program the device.

- Note 1:** The High-Voltage ICSP mode is always available, regardless of the state of the LVP bit, by applying  $V_{IH}$  to the MCLR/VPP/RE3 pin.
- 2:** While in Low-Voltage ICSP mode, the RB5 pin can no longer be used as a general purpose I/O.

## 5.4 Embedding Configuration Word Information in the HEX File

To allow portability of code, a PIC18F2XXX/4XXX Family programmer is required to read the Configuration Word locations from the hex file. If Configuration Word information is not present in the hex file, then a simple warning message should be issued. Similarly, while saving a hex file, all Configuration Word information must be included. An option to not include the Configuration Word information may be provided. When embedding Configuration Word information in the hex file, it should start at address, 300000h.

Microchip Technology Inc. feels strongly that this feature is important for the benefit of the end customer.

## 5.5 Embedding Data EEPROM Information In the HEX File

To allow portability of code, a PIC18F2XXX/4XXX Family programmer is required to read the data EEPROM information from the hex file. If data EEPROM information is not present, a simple warning message should be issued. Similarly, when saving a hex file, all data EEPROM information must be included. An option to not include the data EEPROM information may be provided. When embedding data EEPROM information in the hex file, it should start at address, F00000h.

Microchip Technology Inc. believes that this feature is important for the benefit of the end customer.

## 5.6 Checksum Computation

The checksum is calculated by summing the following:

- The contents of all code memory locations
- The Configuration Words, appropriately masked
- ID locations (if any block is code-protected)

The Least Significant 16 bits of this sum is the checksum. The contents of the data EEPROM are not used.

### 5.6.1 PROGRAM MEMORY

When program memory contents are summed, each 16-bit word is added to the checksum. The contents of program memory, from 000000h to the end of the last program memory block, are used for this calculation. Overflows from bit 15 may be ignored.

### 5.6.2 CONFIGURATION WORDS

For checksum calculations, unimplemented bits in Configuration Words should be ignored as such bits always read back as '1's. Each 8-bit Configuration Word is ANDed with a corresponding mask to prevent unused bits from affecting checksum calculations.

The mask contains a '0' in unimplemented bit positions, or a '1' where a choice can be made. When ANDed with the value read out of a Configuration Word, only implemented bits remain. A list of suitable masks is provided in [Table 5-5](#).

# PIC18F2XXX/4XXX FAMILY

---

## 5.6.3 ID LOCATIONS

Normally, the contents of these locations are defined by the user, but MPLAB® IDE provides the option of writing the device's unprotected 16-bit checksum in the 16 Most Significant bits of the ID locations (see MPLAB IDE Configure/ID Memory" menu). The lower 16 bits are not used and remain clear. This is the sum of all program memory contents and Configuration Words (appropriately masked) before any code protection is enabled.

If the user elects to define the contents of the ID locations, nothing about protected blocks can be known. If the user uses the preprotected checksum, provided by MPLAB IDE, an indirect characteristic of the programmed code is provided.

## 5.6.4 CODE PROTECTION

Blocks that are code-protected read back as all '0's and have no effect on checksum calculations. If any block is code-protected, then the contents of the ID locations are included in the checksum calculation.

All Configuration Words and the ID locations can always be read out normally, even when the device is fully code-protected. Checking the code protection settings in Configuration Words can direct which, if any, of the program memory blocks can be read, and if the ID locations should be used for checksum calculations.



# PIC18F2XXX/4XXX FAMILY

**TABLE 5-4: DEVICE BLOCK LOCATIONS AND SIZES**

Device	Memory Size (Bytes)	Pins	Ending Address							Size (Bytes)			
			Boot Block	Block 0	Block 1	Block 2	Block 3	Block 4	Block 5	Boot Block	Block 0	Remaining Blocks	Device Total
PIC18F2221	4K	28	0001FF 0003FF	0007FF	000FFF	—	—	—	—	512 1024	1536 1024	2048	4096
PIC18F2321	8K	28	0001FF 0003FF 0007FF	000FFF	001FFF	—	—	—	—	512 1024 2048	3584 3072 2048	4096	8192
PIC18F2410	16K	28	0007FF	001FFF	003FFF	—	—	—	—	2048	6144	8192	16384
PIC18F2420	16K	28	0007FF	001FFF	003FFF	—	—	—	—	2048	6144	8192	16384
PIC18F2423	16K	28	0007FF	001FFF	003FFF	—	—	—	—	2048	6144	8192	16384
PIC18F2450	16K	28	0007FF 000FFF	001FFF	003FFF	—	—	—	—	2048 4096	6144 4096	8192	16384
PIC18F2455	24K	28	0007FF	001FFF	003FFF	005FFF	—	—	—	2048	6144	16384	24576
PIC18F2458	24K	28	0007FF	001FFF	003FFF	005FFF	—	—	—	2048	6144	16384	24576
PIC18F2480	16K	28	0007FF 000FFF	001FFF	003FFF	—	—	—	—	2048 4096	6144 4096	8192	16384
PIC18F2510	32K	28	0007FF	001FFF	003FFF	005FFF	007FFF	—	—	2048	6144	24576	32768
PIC18F2515	48K	28	0007FF	003FFF	007FFF	00BFFF	—	—	—	2048	14336	32768	49152
PIC18F2520	32K	28	0007FF	001FFF	003FFF	005FFF	007FFF	—	—	2048	14336	16384	32768
PIC18F2523	32K	28	0007FF	001FFF	003FFF	005FFF	007FFF	—	—	2048	14336	16384	32768
PIC18F2525	48K	28	0007FF	003FFF	007FFF	00BFFF	—	—	—	2048	14336	32768	49152
PIC18F2550	32K	28	0007FF	001FFF	003FFF	005FFF	007FFF	—	—	2048	6144	24576	32768
PIC18F2553	32K	28	0007FF	001FFF	003FFF	005FFF	007FFF	—	—	2048	6144	24576	32768
PIC18F2580	32K	28	0007FF 000FFF	001FFF	003FFF	005FFF	007FFF	—	—	2048 4096	6144 4096	24576	32768
PIC18F2585	48K	28	0007FF 000FFF 001FFF	003FFF	007FFF	00BFFF	—	—	—	2048 4096 8192	14336 12288 8192	32768	49152
PIC18F2610	64K	28	0007FF	003FFF	007FFF	00BFFF	00FFFF	—	—	2048	14336	49152	65536
PIC18F2620	64K	28	0007FF	003FFF	007FFF	00BFFF	00FFFF	—	—	2048	14336	49152	65536
PIC18F2680	64K	28	0007FF 000FFF 001FFF	003FFF	007FFF	00BFFF	00FFFF	—	—	2048 4096 8192	14336 12288 8192	49152	65536
PIC18F2682	80K	28	0007FF 000FFF 001FFF	003FFF	007FFF	00BFFF	00FFFF	013FFF	—	2048 4096 8192	14336 12288 8192	65536	81920
PIC18F2685	96K	28	0007FF 000FFF 001FFF	003FFF	007FFF	00BFFF	00FFFF	013FFF	017FFF	2048 4096 8192	14336 12288 8192	81920	98304
PIC18F4221	4K	40	0001FF 0003FF	0007FF	000FFF	—	—	—	—	512 1024	1536 1024	2048	4096
PIC18F4321	8K	40	0001FF 0003FF 0007FF	000FFF	001FFF	—	—	—	—	512 1024 2048	3584 3072 2048	4096	8192
PIC18F4410	16K	40	0007FF	001FFF	003FFF	—	—	—	—	2048	6144	8192	16384
PIC18F4420	16K	40	0007FF	001FFF	003FFF	—	—	—	—	2048	6144	8192	16384
PIC18F4423	16K	40	0007FF	001FFF	003FFF	—	—	—	—	2048	6144	8192	16384
PIC18F4450	16K	40	0007FF 000FFF	001FFF	003FFF	—	—	—	—	2048 4096	6144 4096	8192	16384

**Legend:** — = unimplemented.

# PIC18F2XXX/4XXX FAMILY

**TABLE 5-4: DEVICE BLOCK LOCATIONS AND SIZES (CONTINUED)**

Device	Memory Size (Bytes)	Pins	Ending Address							Size (Bytes)			
			Boot Block	Block 0	Block 1	Block 2	Block 3	Block 4	Block 5	Boot Block	Block 0	Remaining Blocks	Device Total
PIC18F4455	24K	40	0007FF	001FFF	003FFF	005FFF	—	—	—	2048	6144	16384	24576
PIC18F4458	24K	40	0007FF	001FFF	003FFF	005FFF	—	—	—	2048	6144	16384	24576
PIC18F4480	16K	40	0007FF	001FFF	003FFF	—	—	—	—	2048	6144	8192	16384
			000FFF							4096	4096		
PIC18F4510	32K	40	0007FF	001FFF	003FFF	005FFF	007FFF	—	—	2048	6144	24576	32768
PIC18F4515	48K	40	0007FF	003FFF	007FFF	00BFFF	—	—	—	2048	14336	32768	49152
PIC18F4520	32K	40	0007FF	001FFF	003FFF	005FFF	007FFF	—	—	2048	14336	16384	32768
PIC18F4523	32K	40	0007FF	001FFF	003FFF	005FFF	007FFF	—	—	2048	14336	16384	32768
PIC18F4525	48K	40	0007FF	003FFF	007FFF	00BFFF	—	—	—	2048	14336	32768	49152
PIC18F4550	32K	40	0007FF	001FFF	003FFF	005FFF	007FFF	—	—	2048	6144	24576	32768
PIC18F4553	32K	40	0007FF	001FFF	003FFF	005FFF	007FFF	—	—	2048	6144	24576	32768
PIC18F4580	32K	40	0007FF	001FFF	003FFF	005FFF	007FFF	—	—	2048	6144	24576	32768
			000FFF							4096	4096		
PIC18F4585	48K	40	0007FF	003FFF	007FFF	00BFFF	—	—	—	2048	14336	32768	49152
			000FFF							4096	12288		
			001FFF							8192	8192		
PIC18F4610	64K	40	0007FF	003FFF	007FFF	00BFFF	00FFFF	—	—	2048	14336	49152	65536
PIC18F4620	64K	40	0007FF	003FFF	007FFF	00BFFF	00FFFF	—	—	2048	14336	49152	65536
PIC18F4680	64K	40	0007FF	003FFF	007FFF	00BFFF	00FFFF	—	—	2048	14336	49152	65536
			000FFF							4096	12288		
			001FFF							8192	8192		
PIC18F4682	80K	40	0007FF	003FFF	007FFF	00BFFF	00FFFF	013FFF	—	2048	14336	65536	81920
			000FFF							4096	12288		
			001FFF							8192	8192		
PIC18F4685	96K	44	0007FF	003FFF	007FFF	00BFFF	00FFFF	013FFF	017FFF	2048	14336	81920	98304
			000FFF							4096	12288		
			001FFF							8192	8192		

**Legend:** — = unimplemented.

# PIC18F2XXX/4XXX FAMILY

**TABLE 5-5: CONFIGURATION WORD MASKS FOR COMPUTING CHECKSUMS**

Device	Configuration Word (CONFIGxx)													
	1L	1H	2L	2H	3L	3H	4L	4H	5L	5H	6L	6H	7L	7H
	Address (3000xh)													
	0h	1h	2h	3h	4h	5h	6h	7h	8h	9h	Ah	Bh	Ch	Dh
PIC18F2221	00	CF	1F	1F	00	87	F5	00	03	C0	03	E0	03	40
PIC18F2321	00	CF	1F	1F	00	87	F5	00	03	C0	03	E0	03	40
PIC18F2410	00	CF	1F	1F	00	87	C5	00	03	C0	03	E0	03	40
PIC18F2420	00	CF	1F	1F	00	87	C5	00	03	C0	03	E0	03	40
PIC18F2423	00	CF	1F	1F	00	87	C5	00	03	C0	03	E0	03	40
PIC18F2450	3F	CF	3F	1F	00	86	ED	00	03	40	03	60	03	40
PIC18F2455	3F	CF	3F	1F	00	87	E5	00	07	C0	07	E0	07	40
PIC18F2458	3F	CF	3F	1F	00	87	E5	00	07	C0	07	E0	07	40
PIC18F2480	00	CF	1F	1F	00	86	D5	00	03	C0	03	E0	03	40
PIC18F2510	00	1F	1F	1F	00	87	C5	00	0F	C0	0F	E0	0F	40
PIC18F2515	00	CF	1F	1F	00	87	C5	00	0F	C0	0F	E0	0F	40
PIC18F2520	00	CF	1F	1F	00	87	C5	00	0F	C0	0F	E0	0F	40
PIC18F2523	00	CF	1F	1F	00	87	C5	00	0F	C0	0F	E0	0F	40
PIC18F2525	00	CF	1F	1F	00	87	C5	00	0F	C0	0F	E0	0F	40
PIC18F2550	3F	CF	3F	1F	00	87	E5	00	0F	C0	0F	E0	0F	40
PIC18F2553	3F	CF	3F	1F	00	87	E5	00	0F	C0	0F	E0	0F	40
PIC18F2580	00	CF	1F	1F	00	86	D5	00	0F	C0	0F	E0	0F	40
PIC18F2585	00	CF	1F	1F	00	86	C5	00	0F	C0	0F	E0	0F	40
PIC18F2610	00	CF	1F	1F	00	87	C5	00	0F	C0	0F	E0	0F	40
PIC18F2620	00	CF	1F	1F	00	87	C5	00	0F	C0	0F	E0	0F	40
PIC18F2680	00	CF	1F	1F	00	86	C5	00	0F	C0	0F	E0	0F	40
PIC18F2682	00	CF	1F	1F	00	86	C5	00	3F	C0	3F	E0	3F	40
PIC18F2685	00	CF	1F	1F	00	86	C5	00	3F	C0	3F	E0	3F	40
PIC18F4221	00	CF	1F	1F	00	87	F5	00	03	C0	03	E0	03	40
PIC18F4321	00	CF	1F	1F	00	87	F5	00	03	C0	03	E0	03	40
PIC18F4410	00	CF	1F	1F	00	87	C5	00	03	C0	03	E0	03	40
PIC18F4420	00	CF	1F	1F	00	87	C5	00	03	C0	03	E0	03	40
PIC18F4423	00	CF	1F	1F	00	87	C5	00	03	C0	03	E0	03	40
PIC18F4450	3F	CF	3F	1F	00	86	ED	00	03	40	03	60	03	40
PIC18F4455	3F	CF	3F	1F	00	87	E5	00	07	C0	07	E0	07	40
PIC18F4458	3F	CF	3F	1F	00	87	E5	00	07	C0	07	E0	07	40
PIC18F4480	00	CF	1F	1F	00	86	D5	00	03	C0	03	E0	03	40
PIC18F4510	00	CF	1F	1F	00	87	C5	00	0F	C0	0F	E0	0F	40
PIC18F4515	00	CF	1F	1F	00	87	C5	00	0F	C0	0F	E0	0F	40
PIC18F4520	00	CF	1F	1F	00	87	C5	00	0F	C0	0F	E0	0F	40
PIC18F4523	00	CF	1F	1F	00	87	C5	00	0F	C0	0F	E0	0F	40
PIC18F4525	00	CF	1F	1F	00	87	C5	00	0F	C0	0F	E0	0F	40
PIC18F4550	3F	CF	3F	1F	00	87	E5	00	0F	C0	0F	E0	0F	40
PIC18F4553	3F	CF	3F	1F	00	87	E5	00	0F	C0	0F	E0	0F	40
PIC18F4580	00	CF	1F	1F	00	86	D5	00	0F	C0	0F	E0	0F	40
PIC18F4585	00	CF	1F	1F	00	86	C5	00	0F	C0	0F	E0	0F	40
PIC18F4610	00	CF	1F	1F	00	87	C5	00	0F	C0	0F	E0	0F	40

**Legend:** Shaded cells are unimplemented.

# PIC18F2XXX/4XXX FAMILY

**TABLE 5-5: CONFIGURATION WORD MASKS FOR COMPUTING CHECKSUMS (CONTINUED)**

Device	Configuration Word (CONFIGxx)													
	1L	1H	2L	2H	3L	3H	4L	4H	5L	5H	6L	6H	7L	7H
	Address (3000xh)													
	0h	1h	2h	3h	4h	5h	6h	7h	8h	9h	Ah	Bh	Ch	Dh
PIC18F4620	00	CF	1F	1F	00	87	C5	00	0F	C0	0F	E0	0F	40
PIC18F4680	00	CF	1F	1F	00	86	C5	00	0F	C0	0F	E0	0F	40
PIC18F4682	00	CF	1F	1F	00	86	C5	00	3F	C0	3F	E0	3F	40
PIC18F4685	00	CF	1F	1F	00	86	C5	00	3F	C0	3F	E0	3F	40

**Legend:** Shaded cells are unimplemented.

# PIC18F2XXX/4XXX FAMILY

## 6.0 AC/DC CHARACTERISTICS TIMING REQUIREMENTS FOR PROGRAM/VERIFY TEST MODE

Standard Operating Conditions						
Operating Temperature: 25°C is recommended						
Param No.	Sym	Characteristic	Min	Max	Units	Conditions
D110	VIHH	High-Voltage Programming Voltage on MCLR/VPP/RE3	VDD + 4.0	12.5	V	(Note 2)
D110A	VIHL	Low-Voltage Programming Voltage on MCLR/VPP/RE3	2.00	5.50	V	(Note 2)
D111	VDD	Supply Voltage During Programming	2.00	5.50	V	Externally timed, Row Erases and all writes
			3.0	5.50	V	Self-timed, Bulk Erases only (Note 3)
D112	I <sub>PP</sub>	Programming Current on MCLR/VPP/RE3	—	300	μA	(Note 2)
D113	I <sub>DDP</sub>	Supply Current During Programming	—	10	mA	
D031	V <sub>IL</sub>	Input Low Voltage	V <sub>SS</sub>	0.2 V <sub>DD</sub>	V	
D041	V <sub>IH</sub>	Input High Voltage	0.8 V <sub>DD</sub>	V <sub>DD</sub>	V	
D080	V <sub>OL</sub>	Output Low Voltage	—	0.6	V	I <sub>OL</sub> = 8.5 mA @ 4.5V
D090	V <sub>OH</sub>	Output High Voltage	V <sub>DD</sub> - 0.7	—	V	I <sub>OH</sub> = -3.0 mA @ 4.5V
D012	C <sub>IO</sub>	Capacitive Loading on I/O pin (PGD)	—	50	pF	To meet AC specifications
P1	T <sub>R</sub>	MCLR/VPP/RE3 Rise Time to Enter Program/Verify mode	—	1.0	μs	(Notes 1, 2)
P2	T <sub>PGC</sub>	Serial Clock (PGC) Period	100	—	ns	V <sub>DD</sub> = 5.0V
			1	—	μs	V <sub>DD</sub> = 2.0V
P2A	T <sub>PGCL</sub>	Serial Clock (PGC) Low Time	40	—	ns	V <sub>DD</sub> = 5.0V
			400	—	ns	V <sub>DD</sub> = 2.0V
P2B	T <sub>PGCH</sub>	Serial Clock (PGC) High Time	40	—	ns	V <sub>DD</sub> = 5.0V
			400	—	ns	V <sub>DD</sub> = 2.0V
P3	T <sub>SET1</sub>	Input Data Setup Time to Serial Clock ↓	15	—	ns	
P4	T <sub>HLD1</sub>	Input Data Hold Time from PGC ↓	15	—	ns	
P5	T <sub>DLY1</sub>	Delay Between 4-Bit Command and Command Operand	40	—	ns	
P5A	T <sub>DLY1A</sub>	Delay Between 4-Bit Command Operand and Next 4-Bit Command	40	—	ns	
P6	T <sub>DLY2</sub>	Delay Between Last PGC ↓ of Command Byte to First PGC ↑ of Read of Data Word	20	—	ns	
P9	T <sub>DLY5</sub>	PGC High Time (minimum programming time)	1	—	ms	Externally timed
P10	T <sub>DLY6</sub>	PGC Low Time After Programming (high-voltage discharge time)	100	—	μs	
P11	T <sub>DLY7</sub>	Delay to Allow Self-Timed Data Write or Bulk Erase to Occur	5	—	ms	

- Note 1:** Do not allow excess time when transitioning MCLR between V<sub>IL</sub> and V<sub>IHH</sub>. This can cause spurious program executions to occur. The maximum transition time is:  
 1 T<sub>CY</sub> + T<sub>PWRT</sub> (if enabled) + 1024 T<sub>OSC</sub> (for LP, HS, HS/PLL and XT modes only) +  
 2 ms (for HS/PLL mode only) + 1.5 μs (for EC mode only)  
 where T<sub>CY</sub> is the instruction cycle time, T<sub>PWRT</sub> is the Power-up Timer period and T<sub>OSC</sub> is the oscillator period. For specific values, refer to the Electrical Characteristics section of the device data sheet for the particular device.
- 2:** When ICPRT = 1, this specification also applies to ICVPP.
- 3:** At 0°C-50°C.

# PIC18F2XXX/4XXX FAMILY

## 6.0 AC/DC CHARACTERISTICS TIMING REQUIREMENTS FOR PROGRAM/VERIFY TEST MODE (CONTINUED)

Standard Operating Conditions Operating Temperature: 25°C is recommended						
Param No.	Sym	Characteristic	Min	Max	Units	Conditions
P11A	TDRWT	Data Write Polling Time	4	—	ms	
P12	THLD2	Input Data Hold Time from $\overline{\text{MCLR}}/\text{VPP}/\text{RE3} \uparrow$	2	—	$\mu\text{s}$	
P13	TSET2	VDD $\uparrow$ Setup Time to $\overline{\text{MCLR}}/\text{VPP}/\text{RE3} \uparrow$	100	—	ns	(Note 2)
P14	TVALID	Data Out Valid from PGC $\uparrow$	10	—	ns	
P15	TSET3	PGM $\uparrow$ Setup Time to $\overline{\text{MCLR}}/\text{VPP}/\text{RE3} \uparrow$	2	—	$\mu\text{s}$	(Note 2)
P16	TDLY8	Delay Between Last PGC $\downarrow$ and $\overline{\text{MCLR}}/\text{VPP}/\text{RE3} \downarrow$	0	—	s	
P17	THLD3	$\overline{\text{MCLR}}/\text{VPP}/\text{RE3} \downarrow$ to VDD $\downarrow$	—	100	ns	
P18	THLD4	$\overline{\text{MCLR}}/\text{VPP}/\text{RE3} \downarrow$ to PGM $\downarrow$	0	—	s	

- Note 1:** Do not allow excess time when transitioning  $\overline{\text{MCLR}}$  between VIL and VIH. This can cause spurious program executions to occur. The maximum transition time is:  
 $1 \text{ Tcy} + \text{TPWRT}$  (if enabled) + 1024 TOSC (for LP, HS, HS/PLL and XT modes only) +  
 2 ms (for HS/PLL mode only) + 1.5  $\mu\text{s}$  (for EC mode only)  
 where Tcy is the instruction cycle time, TPWRT is the Power-up Timer period and TOSC is the oscillator period. For specific values, refer to the Electrical Characteristics section of the device data sheet for the particular device.
- 2:** When ICPRT = 1, this specification also applies to ICVPP.
- 3:** At 0°C-50°C.

---

---

**Note the following details of the code protection feature on Microchip devices:**

- Microchip products meet the specification contained in their particular Microchip Data Sheet.
- Microchip believes that its family of products is one of the most secure families of its kind on the market today, when used in the intended manner and under normal conditions.
- There are dishonest and possibly illegal methods used to breach the code protection feature. All of these methods, to our knowledge, require using the Microchip products in a manner outside the operating specifications contained in Microchip's Data Sheets. Most likely, the person doing so is engaged in theft of intellectual property.
- Microchip is willing to work with the customer who is concerned about the integrity of their code.
- Neither Microchip nor any other semiconductor manufacturer can guarantee the security of their code. Code protection does not mean that we are guaranteeing the product as “unbreakable.”

Code protection is constantly evolving. We at Microchip are committed to continuously improving the code protection features of our products. Attempts to break Microchip's code protection feature may be a violation of the Digital Millennium Copyright Act. If such acts allow unauthorized access to your software or other copyrighted work, you may have a right to sue for relief under that Act.

---

Information contained in this publication regarding device applications and the like is provided only for your convenience and may be superseded by updates. It is your responsibility to ensure that your application meets with your specifications. MICROCHIP MAKES NO REPRESENTATIONS OR WARRANTIES OF ANY KIND WHETHER EXPRESS OR IMPLIED, WRITTEN OR ORAL, STATUTORY OR OTHERWISE, RELATED TO THE INFORMATION, INCLUDING BUT NOT LIMITED TO ITS CONDITION, QUALITY, PERFORMANCE, MERCHANTABILITY OR FITNESS FOR PURPOSE. Microchip disclaims all liability arising from this information and its use. Use of Microchip devices in life support and/or safety applications is entirely at the buyer's risk, and the buyer agrees to defend, indemnify and hold harmless Microchip from any and all damages, claims, suits, or expenses resulting from such use. No licenses are conveyed, implicitly or otherwise, under any Microchip intellectual property rights unless otherwise stated.

#### **Trademarks**

The Microchip name and logo, the Microchip logo, dsPIC, FlashFlex, flexPWR, JukeBlox, KEELOQ, KEELOQ logo, Klear, LANCheck, MediaLB, MOST, MOST logo, MPLAB, OptoLyzer, PIC, PICSTART, PIC<sup>32</sup> logo, RightTouch, SpyNIC, SST, SST Logo, SuperFlash and UNI/O are registered trademarks of Microchip Technology Incorporated in the U.S.A. and other countries.

The Embedded Control Solutions Company and mTouch are registered trademarks of Microchip Technology Incorporated in the U.S.A.

Analog-for-the-Digital Age, BodyCom, chipKIT, chipKIT logo, CodeGuard, dsPICDEM, dsPICDEM.net, ECAN, In-Circuit Serial Programming, ICSP, Inter-Chip Connectivity, KlearNet, KlearNet logo, MiWi, motorBench, MPASM, MPF, MPLAB Certified logo, MPLIB, MPLINK, MultiTRAK, NetDetach, Omniscient Code Generation, PICDEM, PICDEM.net, PICKIT, PICtail, RightTouch logo, REAL ICE, SQI, Serial Quad I/O, Total Endurance, TSHARC, USBCheck, VariSense, ViewSpan, WiperLock, Wireless DNA, and ZENA are trademarks of Microchip Technology Incorporated in the U.S.A. and other countries.

SQTP is a service mark of Microchip Technology Incorporated in the U.S.A.

Silicon Storage Technology is a registered trademark of Microchip Technology Inc. in other countries.

GestIC is a registered trademark of Microchip Technology Germany II GmbH & Co. KG, a subsidiary of Microchip Technology Inc., in other countries.

All other trademarks mentioned herein are property of their respective companies.

© 2010-2015, Microchip Technology Incorporated, Printed in the U.S.A., All Rights Reserved.

ISBN: 978-1-63277-856-7

**QUALITY MANAGEMENT SYSTEM**  
**CERTIFIED BY DNV**  
**== ISO/TS 16949 ==**

*Microchip received ISO/TS-16949:2009 certification for its worldwide headquarters, design and wafer fabrication facilities in Chandler and Tempe, Arizona; Gresham, Oregon and design centers in California and India. The Company's quality system processes and procedures are for its PIC<sup>®</sup> MCUs and dsPIC<sup>®</sup> DSCs, KEELOQ<sup>®</sup> code hopping devices, Serial EEPROMs, microperipherals, nonvolatile memory and analog products. In addition, Microchip's quality system for the design and manufacture of development systems is ISO 9001:2000 certified.*



# MICROCHIP

## Worldwide Sales and Service

### AMERICAS

#### Corporate Office

2355 West Chandler Blvd.  
Chandler, AZ 85224-6199

Tel: 480-792-7200

Fax: 480-792-7277

Technical Support:

[http://www.microchip.com/  
support](http://www.microchip.com/support)

Web Address:

[www.microchip.com](http://www.microchip.com)

#### Atlanta

Duluth, GA

Tel: 678-957-9614

Fax: 678-957-1455

#### Austin, TX

Tel: 512-257-3370

#### Boston

Westborough, MA

Tel: 774-760-0087

Fax: 774-760-0088

#### Chicago

Itasca, IL

Tel: 630-285-0071

Fax: 630-285-0075

#### Cleveland

Independence, OH

Tel: 216-447-0464

Fax: 216-447-0643

#### Dallas

Addison, TX

Tel: 972-818-7423

Fax: 972-818-2924

#### Detroit

Novi, MI

Tel: 248-848-4000

#### Houston, TX

Tel: 281-894-5983

#### Indianapolis

Noblesville, IN

Tel: 317-773-8323

Fax: 317-773-5453

#### Los Angeles

Mission Viejo, CA

Tel: 949-462-9523

Fax: 949-462-9608

#### New York, NY

Tel: 631-435-6000

#### San Jose, CA

Tel: 408-735-9110

#### Canada - Toronto

Tel: 905-673-0699

Fax: 905-673-6509

### ASIA/PACIFIC

#### Asia Pacific Office

Suites 3707-14, 37th Floor  
Tower 6, The Gateway  
Harbour City, Kowloon

#### Hong Kong

Tel: 852-2943-5100

Fax: 852-2401-3431

#### Australia - Sydney

Tel: 61-2-9868-6733

Fax: 61-2-9868-6755

#### China - Beijing

Tel: 86-10-8569-7000

Fax: 86-10-8528-2104

#### China - Chengdu

Tel: 86-28-8665-5511

Fax: 86-28-8665-7889

#### China - Chongqing

Tel: 86-23-8980-9588

Fax: 86-23-8980-9500

#### China - Dongguan

Tel: 86-769-8702-9880

#### China - Hangzhou

Tel: 86-571-8792-8115

Fax: 86-571-8792-8116

#### China - Hong Kong SAR

Tel: 852-2943-5100

Fax: 852-2401-3431

#### China - Nanjing

Tel: 86-25-8473-2460

Fax: 86-25-8473-2470

#### China - Qingdao

Tel: 86-532-8502-7355

Fax: 86-532-8502-7205

#### China - Shanghai

Tel: 86-21-5407-5533

Fax: 86-21-5407-5066

#### China - Shenyang

Tel: 86-24-2334-2829

Fax: 86-24-2334-2393

#### China - Shenzhen

Tel: 86-755-8864-2200

Fax: 86-755-8203-1760

#### China - Wuhan

Tel: 86-27-5980-5300

Fax: 86-27-5980-5118

#### China - Xian

Tel: 86-29-8833-7252

Fax: 86-29-8833-7256

### ASIA/PACIFIC

#### China - Xiamen

Tel: 86-592-2388138

Fax: 86-592-2388130

#### China - Zhuhai

Tel: 86-756-3210040

Fax: 86-756-3210049

#### India - Bangalore

Tel: 91-80-3090-4444

Fax: 91-80-3090-4123

#### India - New Delhi

Tel: 91-11-4160-8631

Fax: 91-11-4160-8632

#### India - Pune

Tel: 91-20-3019-1500

#### Japan - Osaka

Tel: 81-6-6152-7160

Fax: 81-6-6152-9310

#### Japan - Tokyo

Tel: 81-3-6880-3770

Fax: 81-3-6880-3771

#### Korea - Daegu

Tel: 82-53-744-4301

Fax: 82-53-744-4302

#### Korea - Seoul

Tel: 82-2-554-7200

Fax: 82-2-558-5932 or

82-2-558-5934

#### Malaysia - Kuala Lumpur

Tel: 60-3-6201-9857

Fax: 60-3-6201-9859

#### Malaysia - Penang

Tel: 60-4-227-8870

Fax: 60-4-227-4068

#### Philippines - Manila

Tel: 63-2-634-9065

Fax: 63-2-634-9069

#### Singapore

Tel: 65-6334-8870

Fax: 65-6334-8850

#### Taiwan - Hsin Chu

Tel: 886-3-5778-366

Fax: 886-3-5770-955

#### Taiwan - Kaohsiung

Tel: 886-7-213-7828

#### Taiwan - Taipei

Tel: 886-2-2508-8600

Fax: 886-2-2508-0102

#### Thailand - Bangkok

Tel: 66-2-694-1351

Fax: 66-2-694-1350

### EUROPE

#### Austria - Wels

Tel: 43-7242-2244-39

Fax: 43-7242-2244-393

#### Denmark - Copenhagen

Tel: 45-4450-2828

Fax: 45-4485-2829

#### France - Paris

Tel: 33-1-69-53-63-20

Fax: 33-1-69-30-90-79

#### Germany - Dusseldorf

Tel: 49-2129-3766400

#### Germany - Karlsruhe

Tel: 49-721-625370

#### Germany - Munich

Tel: 49-89-627-144-0

Fax: 49-89-627-144-44

#### Italy - Milan

Tel: 39-0331-742611

Fax: 39-0331-466781

#### Italy - Venice

Tel: 39-049-7625286

#### Netherlands - Drunen

Tel: 31-416-690399

Fax: 31-416-690340

#### Poland - Warsaw

Tel: 48-22-3325737

#### Spain - Madrid

Tel: 34-91-708-08-90

Fax: 34-91-708-08-91

#### Sweden - Stockholm

Tel: 46-8-5090-4654

#### UK - Wokingham

Tel: 44-118-921-5800

Fax: 44-118-921-5820

07/14/15