

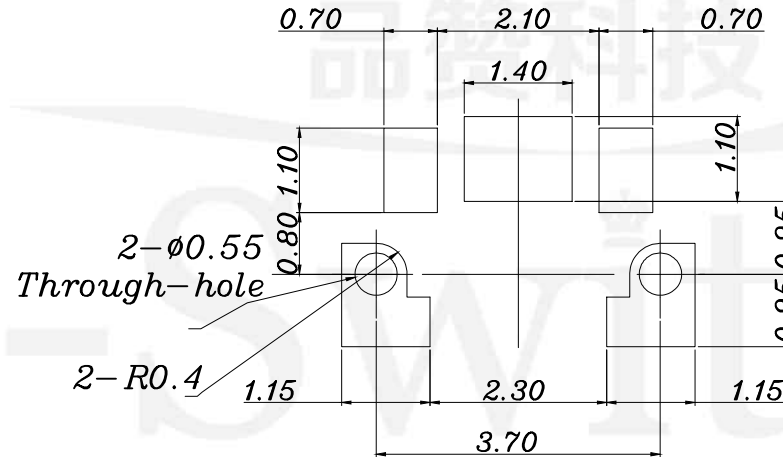
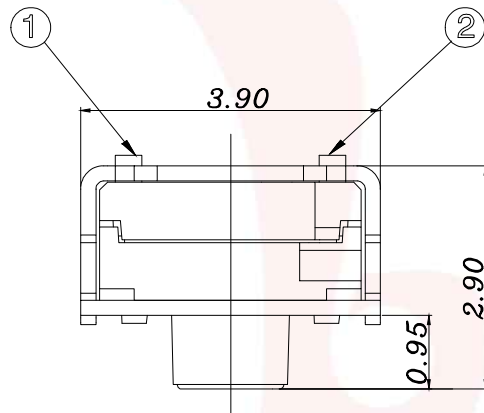
GT-TC173A-H029-L1

G-SWITCH

Operating Force
A=160gf
B=250gf

Switch Height (mm)
H029=2.9mm

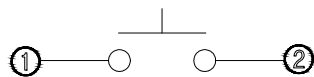
Switch lifetime (Force)
L1=100,000 Cycles



P.C.B LAND
DIMENSION

G-Switch Specification:

Operating temperature range: -30°C to +85°C
 Rating: 50mA.12V DC
 Insulation resistance: 100MΩ min.100V DC
 Dielectric strength: 250V AC for 1 min
 Contact resistance: 100m Ω max.
 Travel: 0.15±0.05mm



CIRCUIT DIAGRAM



Unless otherwise specified, Tolerance:
 X. ±0.30
 X.x ±0.20
 X.xx ±0.15
 X.xxx ±0.10
 Angles ±3°

G-Switch Electronic (HongKong) CO.,Ltd.

DESIGN FengFengChen	DATE 2019.05.29	Molde code:	
CHECKED	DATE	GT-TC173A-H029-L1	
APPROVED	DATE	REV.: X1	SCALE: 4:1
http://www.dg-switch.com		UNIT: mm	
TEL:0769-82388879	SIZE: A4	SHEET: 1/1	