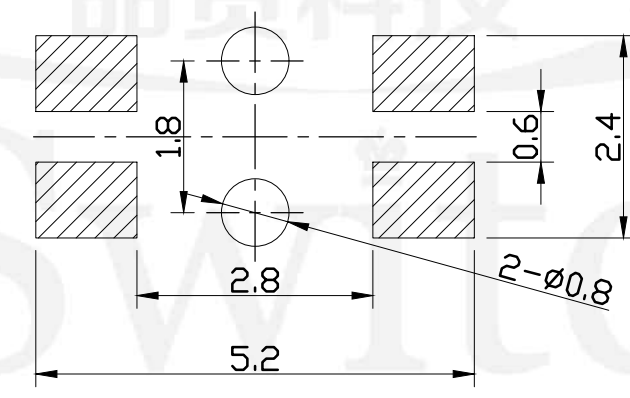
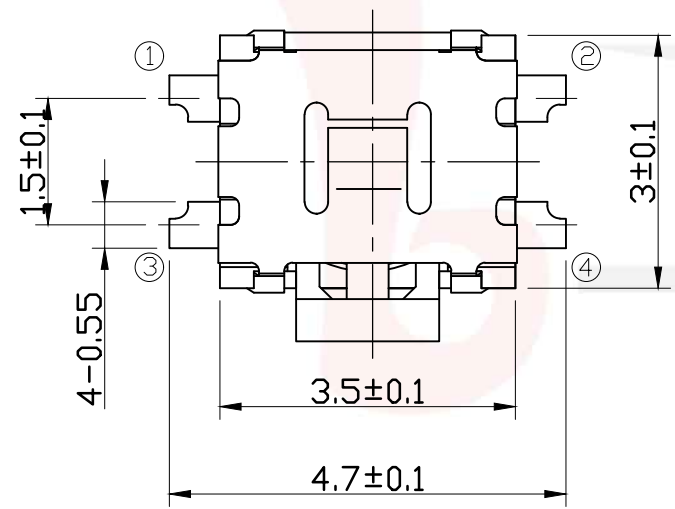


GT-TC045B-H036-L1A

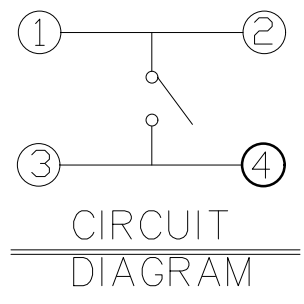
G-SWITCH
Operating Force
 A=160gf
 B=250gf
 C=220gf
Switch Height (mm)
 H036=3.6mm
Switch lifetime (Force)
 L1=100,000 Cycles

A=Base With Pilot
 N=Non Pilot



P.C.B LAND DIMENSION

G-Switch Specification:
 Operating temperature range: -30°C to +85°C
 Rating: 50mA.12V DC
 Insulation resistance: 100MΩ min.100V DC
 Dielectric strength: 250V AC for 1 min
 Contact resistance: 100m Ω max.
 Travel: 0.25±0.1mm



G-Switch Electronic (HongKong) CO.,Ltd.

Unless otherwise specified, Tolerance: X. ±0.30 X.x ±0.20 X.xx ±0.15 X.xxx ±0.10 Angles ±3°	DESIGN FengFengChen	DATE 2019.05.29	Molde code:		
	CHECKED	DATE	GT-TC045B-H036-L1A		
	APPROVED	DATE	REV.: X1	SCALE: 4:1	UNIT: mm
	http://www.dg-switch.com		SIZE: A4	SHEET: 1/1	
TEL:0769-82388879					