

Features

- Halogen Free Available Upon Request By Adding Suffix "-HF"
- Low Forward Voltage Drop
- Glass Passivated Junction
- Lead Free Finish/RoHS Compliant(Note 1)("P" Suffix Designates Compliant. See Ordering Information)
- Epoxy Meets UL 94 V-0 Flammability Rating
- Moisture Sensitivity Level 1

Maximum Ratings

- Operating Junction Temperature Range: -55°C to +150°C
- Storage Temperature Range: -55°C to +150°C
- Typical Thermal Resistance: 50°C/W Junction to Ambient
- Typical Thermal Resistance: 25°C/W Junction to Lead
- Typical Thermal Resistance: 5.0°C/W Junction to Case

MCC Part Number	Device Marking	Maximum Recurrent Peak Reverse Voltage	Maximum RMS Voltage	Maximum DC Blocking Voltage
HER501GP	HER501GP	50V	35V	50V
HER502GP	HER502GP	100V	70V	100V
HER503GP	HER503GP	200V	140V	200V
HER504GP	HER504GP	300V	210V	300V
HER505GP	HER505GP	400V	280V	400V
HER506GP	HER506GP	600V	420V	600V
HER507GP	HER507GP	800V	560V	800V
HER508GP	HER508GP	1000V	700V	1000V

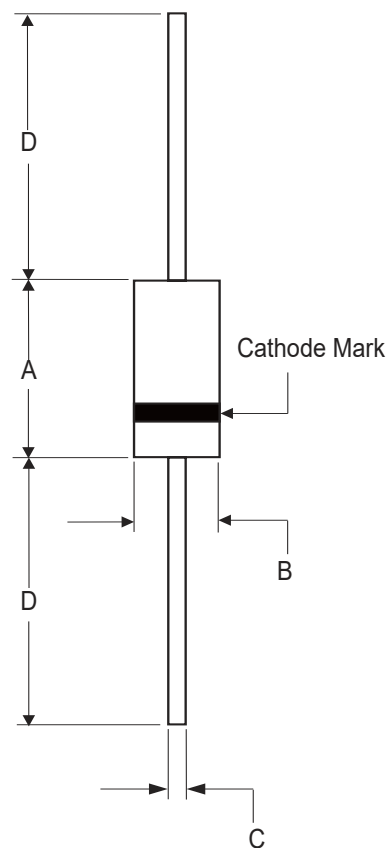
Electrical Characteristics @ 25°C Unless Otherwise Specified

Average Forward Current	$I_{F(AV)}$	5.0A	$T_C=108^\circ\text{C}$
Peak Forward Surge Current	I_{FSM}	160A	8.3ms,Half Sine
Maximum Instantaneous Forward Voltage	V_F	HER501GP-503GP 1.0V	$I_{FM}=5.0A;$ $T_J=25^\circ\text{C}$
HER504GP-505GP		1.3V	
HER506GP-508GP		1.7V	
Maximum DC Reverse Current At Rated DC Blocking Voltage	I_R	5 μ A	$T_J=25^\circ\text{C}$
Typical Junction Capacitance	C_J	100pF 60pF	Measured at 1.0MHz $V_R=4.0V$
HER501GP-505GP HER506GP-508GP			
Maximum Reverse Recovery Time	t_{rr}	50ns 75ns	$I_F=0.5A;$ $I_R=1.0A;$ $I_{rr}=0.25A$
HER501GP-505GP HER506GP-508GP			

Note :1. High Temperature Solder Exemption Applied,See EU Directive Annex 7a.

5.0 Amp High Efficient Rectifier 50 to 1000 Volts

DO-201AD



DIMENSIONS

DIM	INCHES		MM		NOTE
	MIN	MAX	MIN	MAX	
A	0.287	0.374	7.30	9.50	
B	0.189	0.208	4.80	5.30	
C	0.048	0.052	1.20	1.30	
D	1.000	-----	25.40	-----	

Curve Characteristics

Fig. 1 - Forward Current Derating Curve

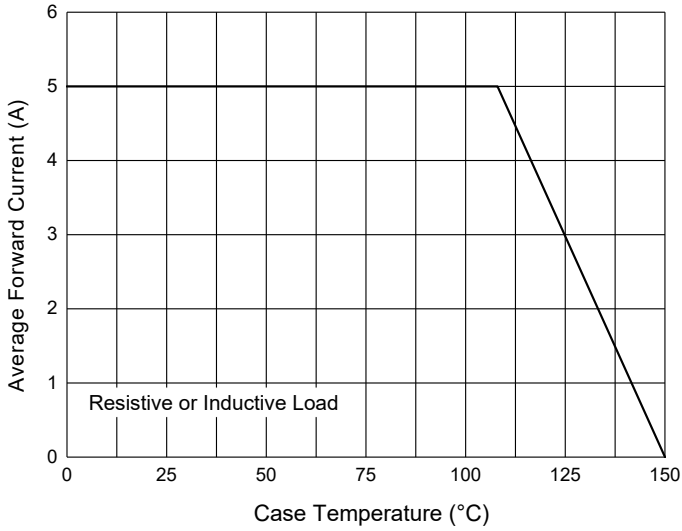


Fig. 2 - Maximum Non-Repetitive Peak Forward Surge Current

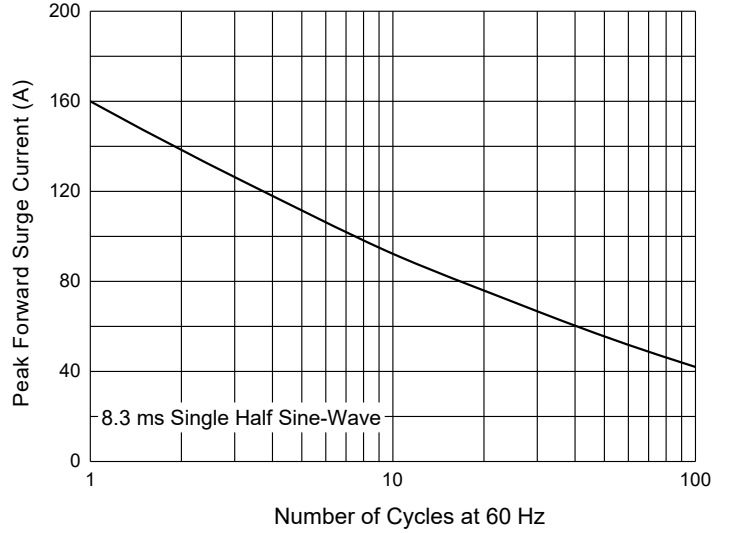


Fig. 3 - Typical Instantaneous Forward Characteristics

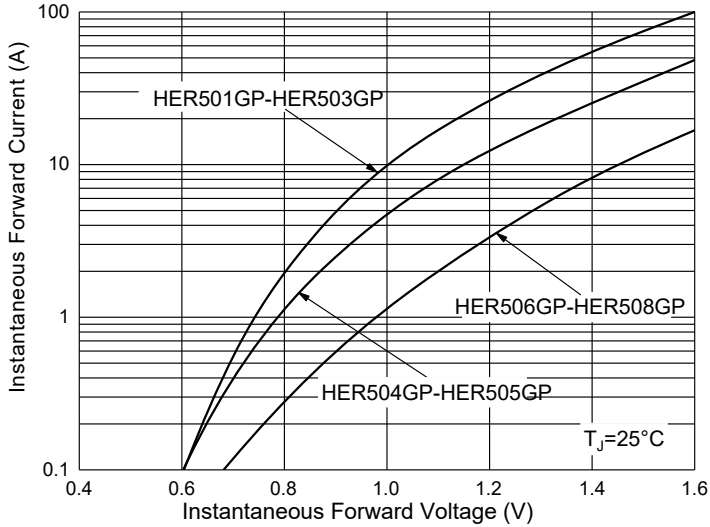
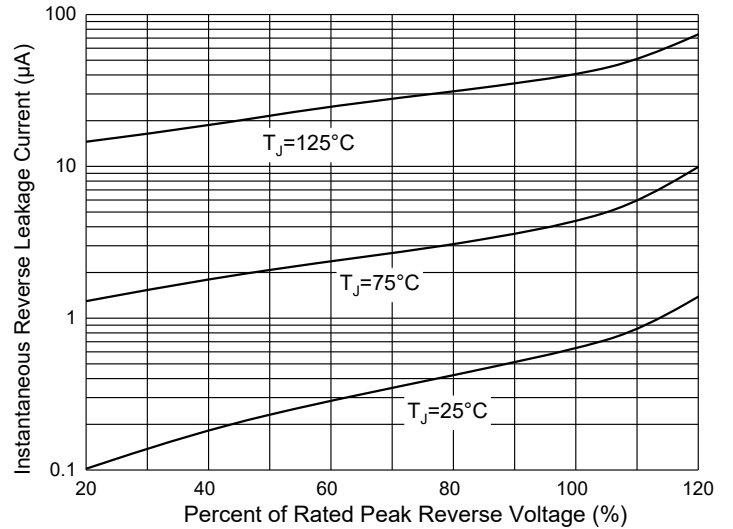


Fig. 4 - Typical Reverse Leakage Characteristics



Ordering Information

Device	Packing
Part Number-TP	Tape&Reel:1.2Kpcs/Reel
Part Number-AP	Ammo Packing:1.2Kpcs/AmmoBox
Part Number-BP	Bulk: 12Kpcs/Carton

Note : Adding "-HF" Suffix For Halogen Free, eg. Part Number-TP-HF

IMPORTANT NOTICE

Micro Commercial Components Corp. reserves the right to make changes without further notice to any product herein to make corrections, modifications, enhancements, improvements, or other changes. **Micro Commercial Components Corp.** does not assume any liability arising out of the application or use of any product described herein; neither does it convey any license under its patent rights, nor the rights of others. The user of products in such applications shall assume all risks of such use and will agree to hold **Micro Commercial Components Corp.** and all the companies whose products are represented on our website, harmless against all damages.

LIFE SUPPORT

MCC's products are not authorized for use as critical components in life support devices or systems without the express written approval of Micro Commercial Components Corporation.

CUSTOMER AWARENESS

Counterfeiting of semiconductor parts is a growing problem in the industry. Micro Commercial Components (MCC) is taking strong measures to protect ourselves and our customers from the proliferation of counterfeit parts. MCC strongly encourages customers to purchase MCC parts either directly from MCC or from Authorized MCC Distributors who are listed by country on our web page cited below. Products customers buy either from MCC directly or from Authorized MCC Distributors are genuine parts, have full traceability, meet MCC's quality standards for handling and storage. **MCC will not provide any warranty coverage or other assistance for parts bought from Unauthorized Sources.** MCC is committed to combat this global problem and encourage our customers to do their part in stopping this practice by buying direct or from authorized distributors.