

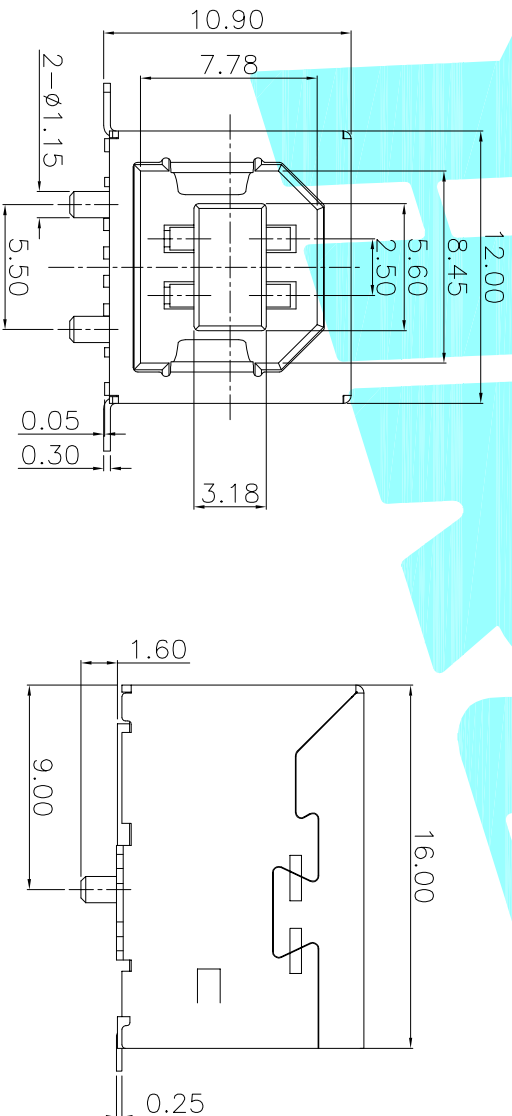
RECOMMENDED P.C.B. LAYOUT

Specification

- 1.Voltage Current Rating:1AMP.30V AC
- 2.Insulation Resistance:1000M Ω Min
- 3.Contact Resistance:30m Ω Max
- 4.Dielectric Withstanding Voltage:500V AC
- 5.Temperature Range:-20°C to +60°C

NOTE:

Tolerances unless otherwise specified:
 0-10: \pm 0.15; 10-20: \pm 0.20; 20-30: \pm 0.25



ITEM	PART NAME	TER'NO.	QTY.	MATERIAL	FINISHING
③	Base	—	1	PA9T	White/black
②	Terminal	—	4	Phosphor Bronze	Ag Plated
①	Housing	—	1	BRASS	Ni Plated

APPROVALS	DATE	TITLE:
DRAWN JIANKUN.LU	2018.08.01	USB CONNECTOR
CHECKED		
APPROVALS		

ECN NO.	REV.	DATE.	DESCRIPTION.	CHANGE.	CHECK.	APPRO.
	A		NEW			

TOLERANCES ARE	30~ ϕ 1.15	10~ ϕ 3.0	5~ ϕ 1.0	ANGLE	UNIT:	SCALE:	PROJ:	SHEET
	\pm 0.30	\pm 0.25	\pm 0.20	\pm 2°	mm	1:1	1 OF 1	



ELECTRONICS CO.,LTD