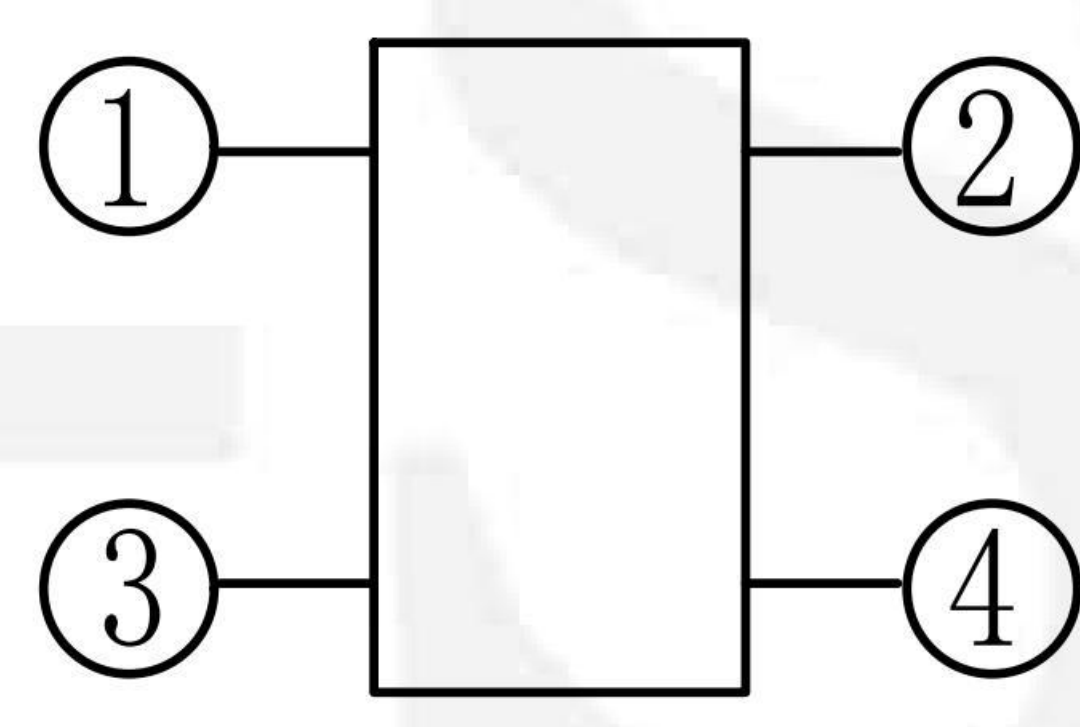
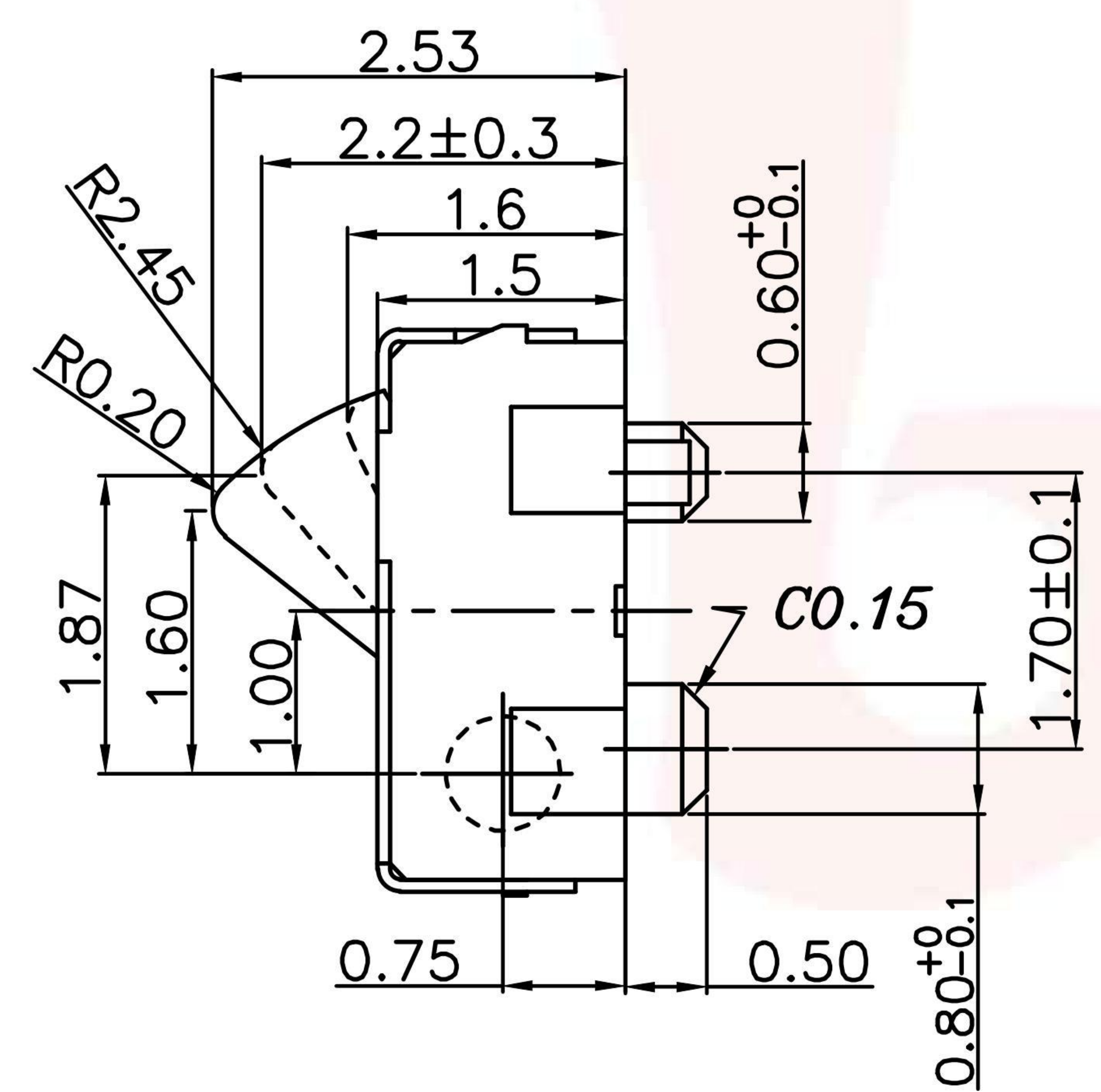
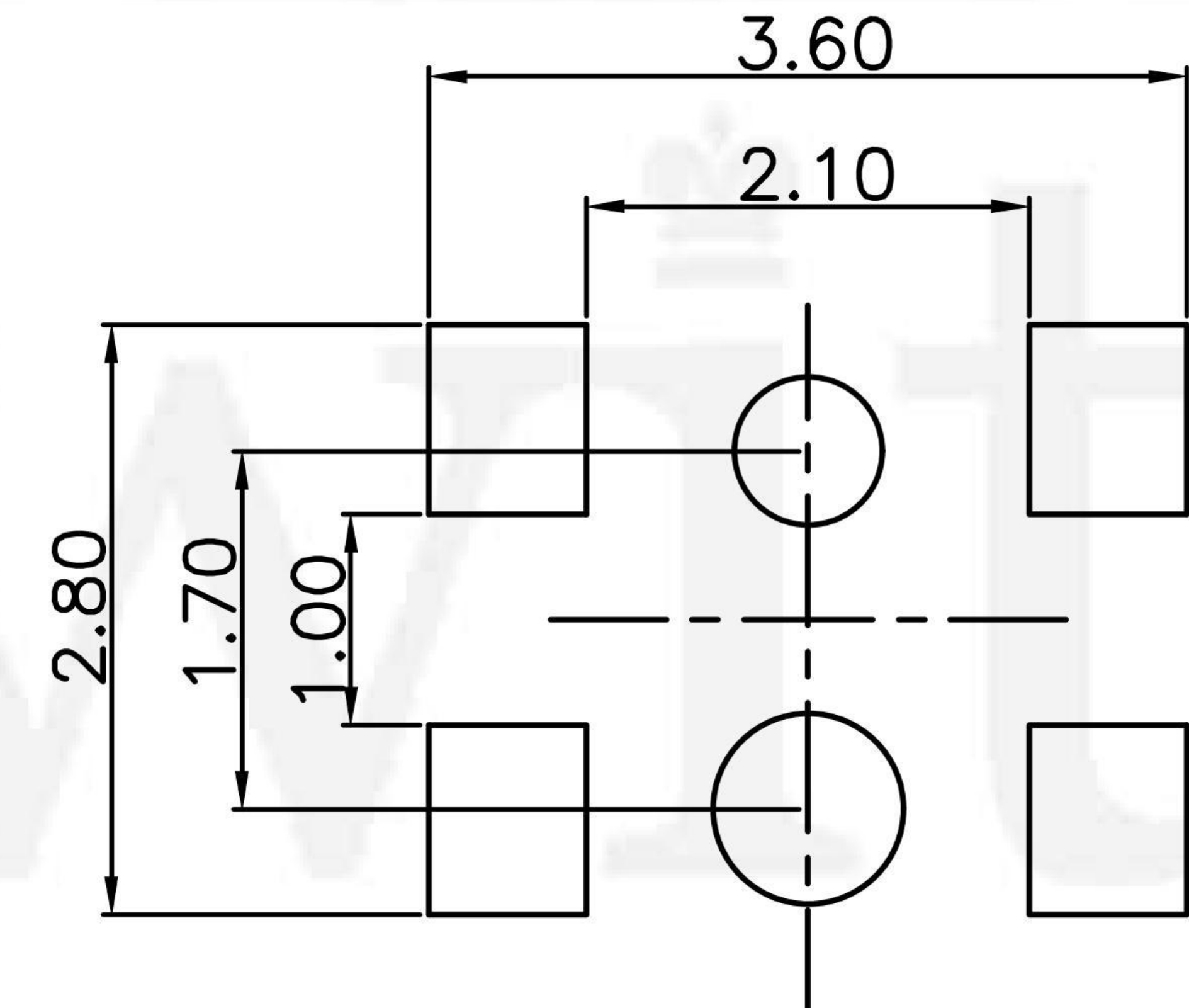


GT-MPU217-H253-LX

G-Switch  
 G-Switch P/N  
 H253=2.53mm  
 L05=50,000 Cycles  
 L1=100,000 Cycles

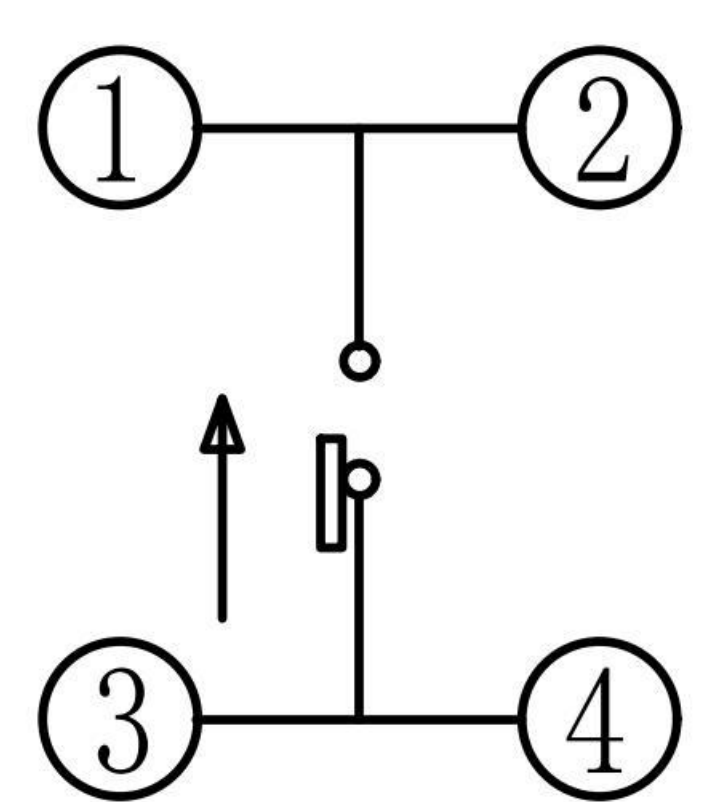


TERMINAL ARRANGEMENT



P.B.C LATOUT  
 BOTTOM VIEW

**G-Switch Specification:**  
 Electrical Specifications: 10mA 5V DC  
 Contact Resistance : 50mΩMAX  
 Insulation Resistance: 100MΩ min. 100V DC  
 Withstand Voltage: 100V AC/1 min  
 Operating Temperature: -10°C~+60°C  
 Storage Temperature: -40°C~+70°C  
 Operating Life: 100,000 cycles



CIRCUIT DIAGRAM



	<b>G-Switch Electronic (HongKong) CO.,Ltd.</b>	
	Unless otherwise specified, Tolerance: X. ±0.30 X.x ±0.20 X.xx ±0.15 X.xxx ±0.10 Angles ±3°	DESIGN Yvette Chen CHECKED APPROVED <a href="http://www.dg-switch.com">http://www.dg-switch.com</a> TEL:0769-82388879

品贊科技

SVTch