

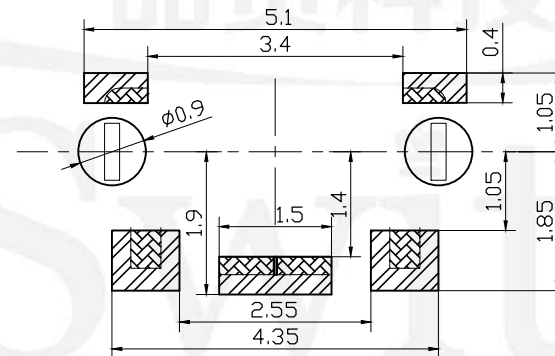
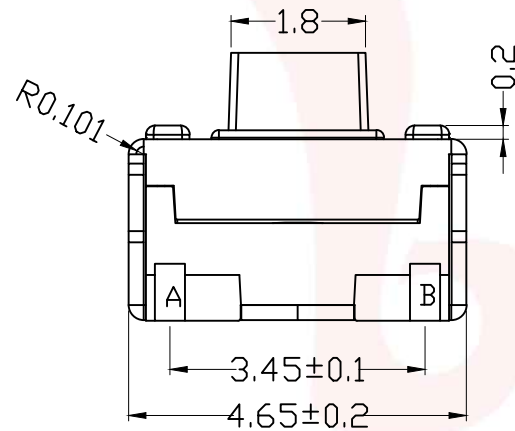
GT-TC172A-H035-L1

G-SWITCH

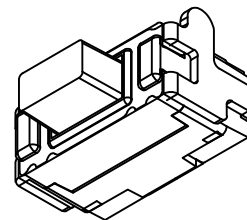
Operating Force
A=180gf
B=250gf

Switch Height (mm)
H035=3.5mm

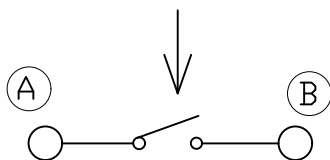
Switch lifetime (Force)
L1=100,000 Cycles
L3=300,000 Cycles



PCB.layout



Circuit Diagram



G-Switch Electronic (HongKong) CO.,Ltd.

Unless otherwise specified, Tolerance:
X. ±0.30
X.x ±0.20
X.xx ±0.15
X.xxx ±0.10
Angles ±3°

DESIGN Yvette Chen	DATE 2019.05.29
CHECKED	DATE
APPROVED	DATE
http://www.dg-switch.com	
TEL:0769-82388879	

Molde code: GT-TC172A-H035-L1		
REV.: X1	SCALE: 4:1	UNIT: mm
SIZE: A4	SHEET: 1/1	

G-Switch Specification:

Operating temperature range: -30°C to +85°C
Rating: 50mA.12V DC
Insulation resistance: 100MΩ min.100V DC
Dielectric strength: 250V AC for 1 min
Contact resistance: 100m Ω max.
Travel: 0.15±0.05mm