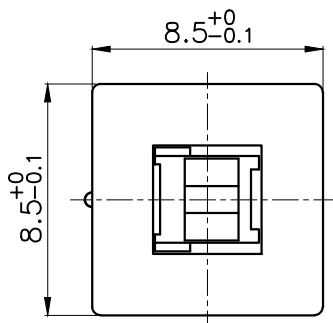
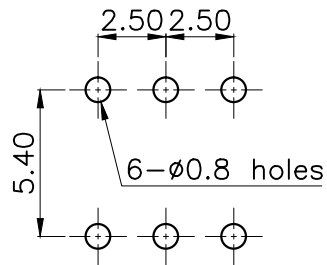


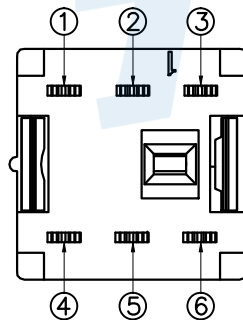
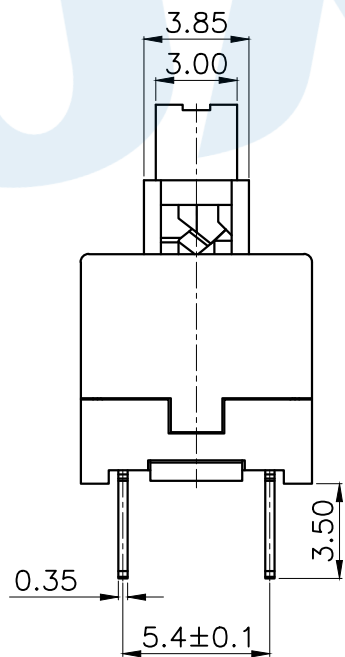
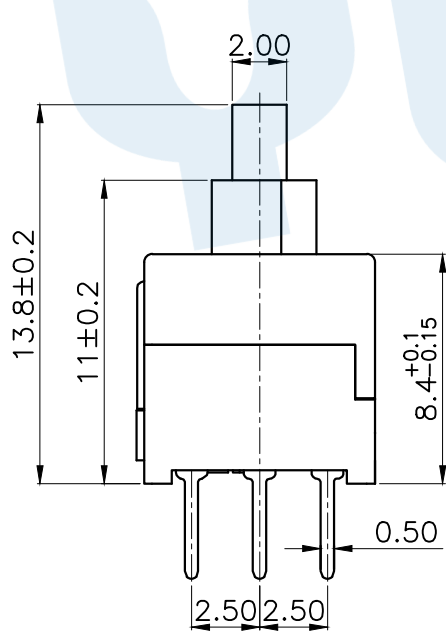
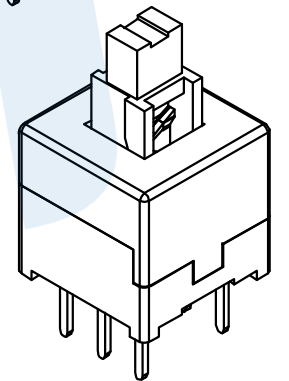
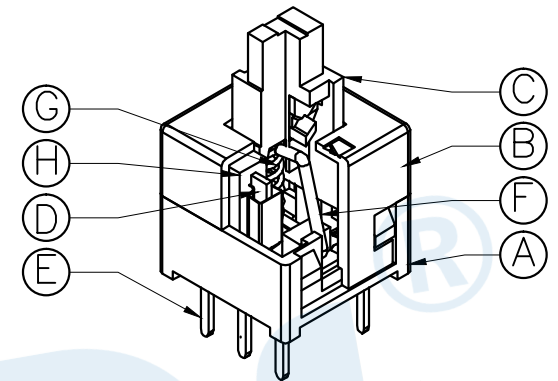
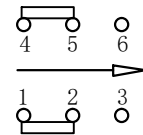
RoHS



PCB Layout(Pattern Side)



Circuit Diagram



NO.	Operating Type	Part No.	Operating force	Travel
1	Push To Lock	TK-6850-1	240±50gf	2.4±0.2
2	Push No Lock	TK-6850-2	240±50gf	2.4±0.2
3	Push No Sound No Lock	TK-6850-3	240±50gf	2.4±0.2

NO.	Name	Number	Qty	Materil	Remarks
H	Injection Terminal	2		Nylon	Black
C	Spring	1		SUS	Natural
F	Crochet Needle	1		SUS	Natural
E	Terminal	6		Brass	Silvering
D	Reed	2		Phosphorus Copper	Silvering
C	Button	1		POM	Black
B	Cover	1		POM	Gray
A	Base	1		PBT	Black

YUANDI® Yuandi Electronics Co, Ltd

design	date	name	BUTTON SWITCH
Review	date	name	
Approved	date	name	

Drawing number: TK-6850-□

modify Review Approved Tolerance not specified Proportion 1:1 unit mm gage number A4