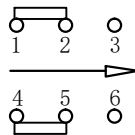
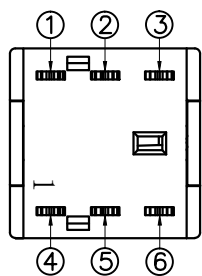
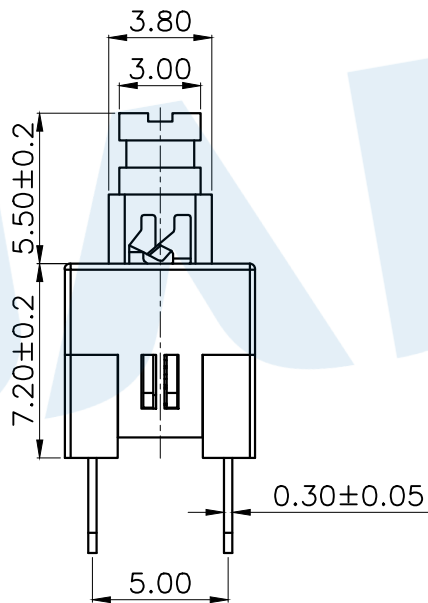
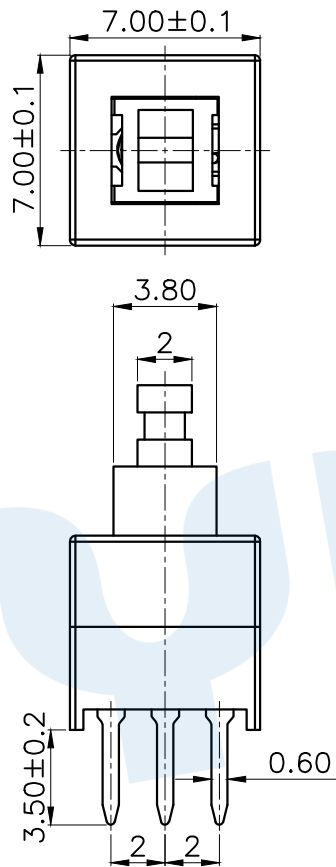
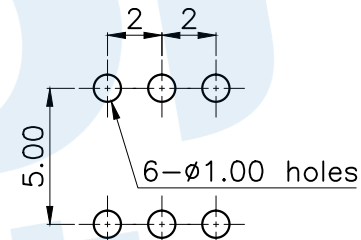
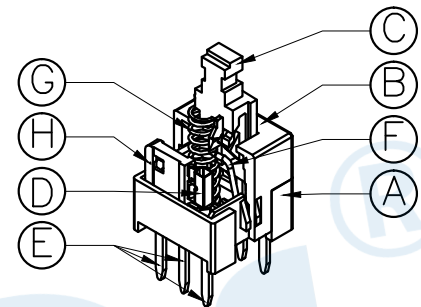
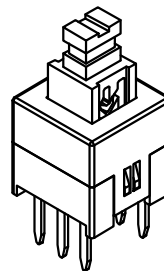


RoHS



Circuit Diagram



PCB Layout(Pattern Side)

NO.	Operating Type	Part No.	Operating force	Travel
1	Push To Lock	TK-6700-1	230±50gf	2.4±0.2
2	Push No Sound No Lock	TK-6700-2	230±50gf	2.4±0.2

H	Injection Terminal	2	Nylon	Black
C	Spring	1	SUS	Natural
F	Crochet Needle	1	SUS	Natural
E	Terminal	6	Brass	Silvering
D	Reed	2	Phosphorus Copper	Silvering
C	Button	1	POM	Blue
B	Cover	1	POM	White
A	Base	1	PBT	Black

NO.	Name	Number	Qty	Materil	Remarks
YUANDI® Yuandi Electronics Co.,Ltd <small>元迪</small>					

design	date	name	BUTTON SWITCH
Review	date		
Approved	date	name	

Drawing number:	TK-6700-□
-----------------	-----------

angle	±2'
10~30	±0.30
5~10	±0.20
~ 5	±0.10