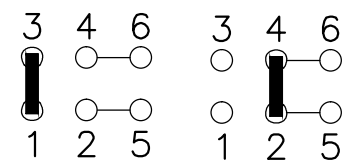
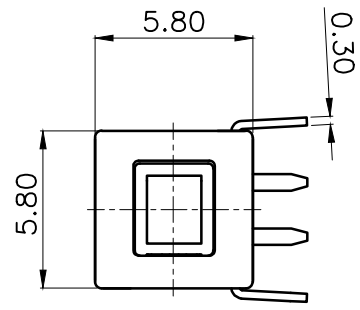
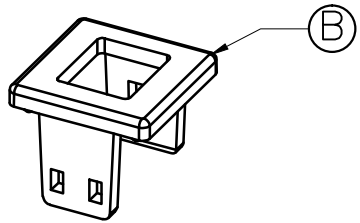
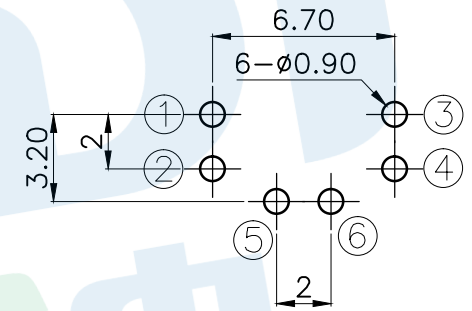
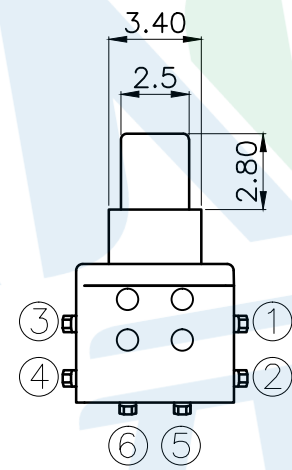
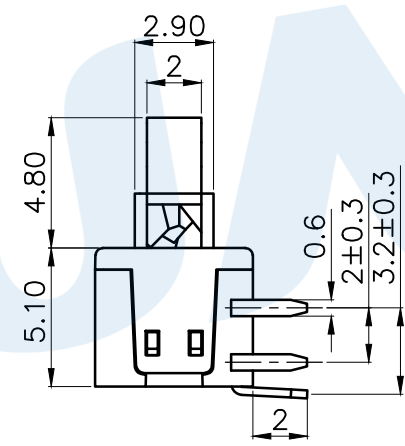
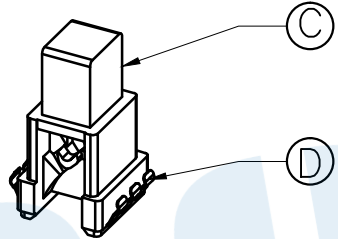
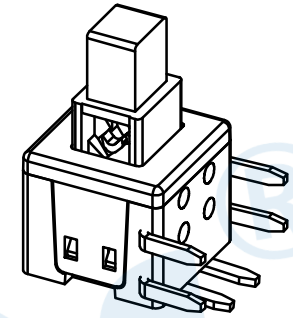


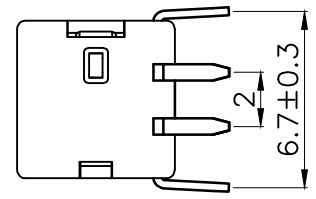
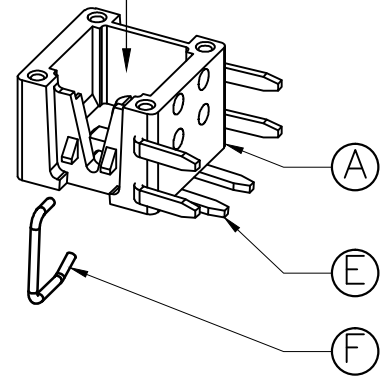
RoHS



Free Lock  
Circuit Diagram



PCB Layout(Pattern Side)



NO.	Operating Type	Part No.	Operating force	Travel
1	Push To Lock	TK-6580A-1	250±50gf	2.0±0.2
2	Push No Sound No Lock	TK-6580A-2	250±50gf	2.0±0.2

Ⓒ	Spring	1	SUS	Natural	
Ⓕ	Crochet Needle	1	SUS	Natural	
Ⓖ	Terminal	6	Brass	Silvering	
Ⓓ	Reed	2	Phosphorus Copper	Silvering	
Ⓒ	Button	1	PBT	White	
Ⓑ	Cover	1	PBT	White	
Ⓐ	Base	1	PBT	Black	
NO.	Name	Number	Qty	Materil	Remarks

YUANDI® Yuandi Electronics Co, Ltd

design	date	name	BUTTON SWITCH
Review	date		
Approved	date	name	
Drawing number:			TK-6580A-□

								angle	±2'
								10~30	±0.30
								5~10	±0.20
								~ 5	±0.10
								Tolerance not specified	
								Proportion	1:1
								unit	mm
								gape number	