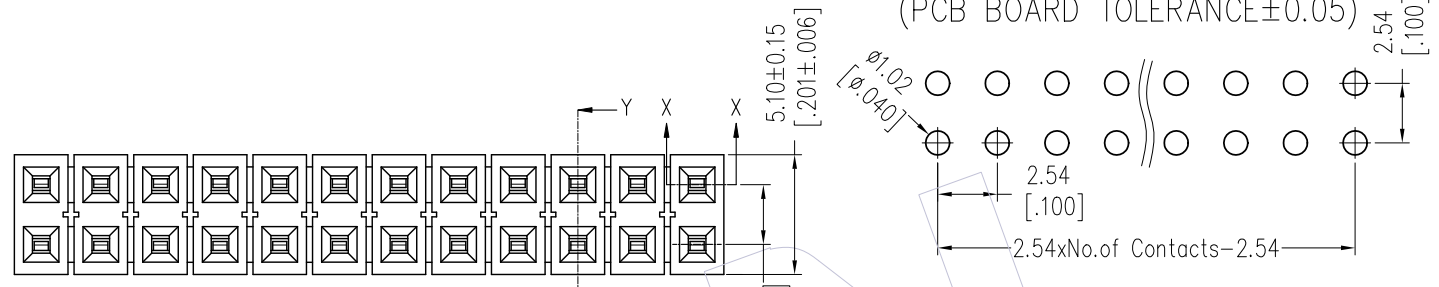


HSF

NOTES:
 Rated Current: 3.0AMP
 Contact Resistance: 20mΩ max
 Withstand Voltage: 1000V AC/DC
 Insulation Resistance: 1000MΩ min
 Operation Temperature: -40℃ to +125℃(Au)
 -40℃ to +105℃(Sn)
 Contact Material: Phosphor Bronze
 Contact Plating: Au Or Sn Over Ni
 Insulator Material: LCP+30%G.F UL94V-0

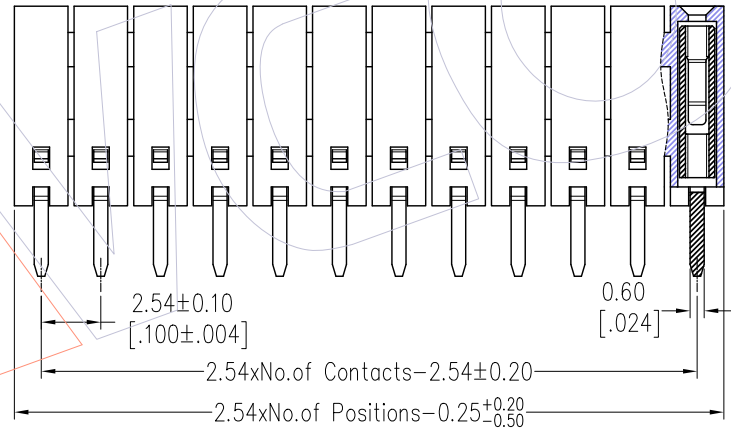
Recommended P.C.B Layout(Top Side)
 (PCB BOARD TOLERANCE ±0.05)



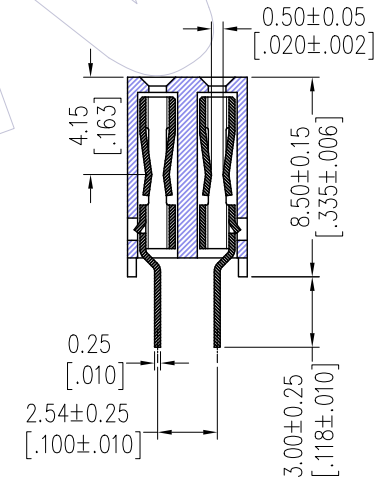
Ordering Information

2185E-2 XX S XX DUN T 1

No. of Pins per ROW: 02-40PIN
 Contact Plating:
 G0=Gold Flash
 G3=10μ"Gold
 G4=15μ"Gold
 G5=30μ"Gold
 S0=Gold Flash/Tin
 S3=10μ"Gold/Tin
 S4=15μ"Gold/Tin
 S5=30μ"Gold/Tin
 SN=Tin
 Packing:
 T=Tube



Section X-X



Section Y-Y

Item	Pitch	Mating
Standard	2.54	1115/1120/1125

REV	DATE	MODIFICATION DESCRIPTION	CHANGE	OPERATION	DRAW	DATE	SCALE	FIT	PART NO.
				x.x ±0.40	XSR	2019/01/18	UNIT	mm	2185E-2XXSXXDUNT1
				x.xx ±0.25	CHECK	DATE	SIZE	A4	TITLE:
				x.xxx ±0.15	APPROVE	DATE	SHEET	1/1	FH2.54 Dual Row H=8.5 180° DIP
				Angle ± 3°			PROJ.	Customer NO.	
				DIM TOL					

WCON
 Http: www.wcon.com

WCON-Dongguan
 Tel: +86 769 85358920
 Fax: +86 769 85358915
 E-mail: sales@wcon.com

WCON-Kunshan
 Tel: +86 512 57468408
 Fax: +86 512 57468468
 E-mail: salesks@wcon.com